

DATA SHEET

VOCIA® WS-4

WALL PAGING STATION



The WS-4 is a wall-mounted networked Paging Station for use in Vocola® systems. The WS-4 features embedded DSP and on-board memory to support standard and advanced public address functionalities. The WS-4 can store four user-configurable page codes. Additionally, all device-specific configuration information is stored locally, which means the WS-4 does not rely on a centralized controller for processing and page routing. Thus, the processing, routing and storage functionality in a Vocola system is decentralized, which eliminates any centralized point of failure. As part of the Vocola system, the WS-4 meets paging requirements for facilities of all sizes.

FEATURES

- Push-to-talk button with status indication
- Four user-configurable page codes
- Up to 255 software configurable priority paging levels
- Local digital signal processing, including gain, filters and compressor/limiter
- Local storage of configuration data
- Local storage of default and/or custom preambles
- Built-in store and forward functionality
- CobraNet® audio/control with dynamic use of available bundles, plus power over single Ethernet cable
- Backlit liquid crystal display (LCD) technology
- Optional PIN to restrict unauthorized use
- Auxiliary Port provides connection for power, line-level audio, and bi-directional RS232 for transmitting Vocola Text Protocol (VTP) commands
- High-quality, noise-cancelling handheld microphone
- Sturdy, surface-mounted component housing
- Rotary ID switches for unit identification
- CE marked and RoHS compliant
- Covered by Biamp Systems' 5-year warranty

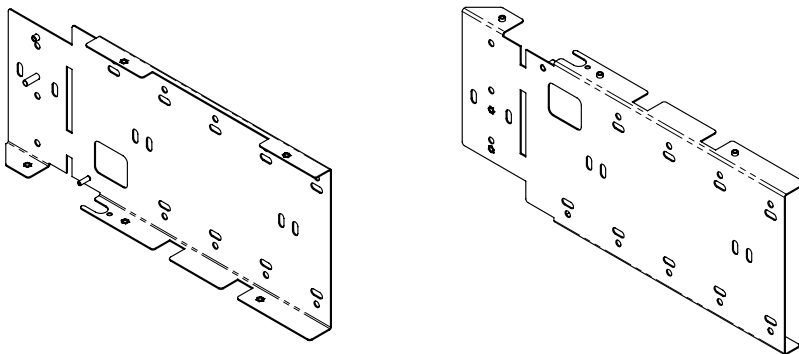
ARCHITECTS & ENGINEERS SPECIFICATION

The wall-mounted paging station shall be designed exclusively for use with Biamp® Vocia® systems. The wall-mounted paging station shall provide paging audio and control data via CobraNet®, and receive Power over Ethernet (PoE), utilizing a single (CAT5) network cable to a rear panel RJ-45 connector. Four buttons shall be provided on the front panel for assigning page codes with optional preambles. Multiple wall-mounted paging stations may be connected to a Vocia system by means of Ethernet switches. The wall-mounted paging station shall support up to 255 software configurable paging priority levels. The wall station shall include page priority override, store and forward, and lock-out capabilities. Each wall-mounted paging station shall provide local digital audio signal processing, local storage of configuration data, and preambles. Wall-mounted paging stations shall possess a backlit LCD screen, PIN code accessibility, and a high-quality, noise-cancelling handheld microphone. The wall-mounted paging station shall be CE marked and shall be compliant with the RoHS directive. Warranty shall be five years. The wall-mounted paging station shall be a Vocia WS-4.

VOCIA WS-4 SPECIFICATIONS

Network Connection:	RJ-45 with shielded Ethernet (CAT5, CAT5e, CAT6 or CAT7)	Power:	
Frequency Response (100Hz ~ 20kHz):	+0, -1dB	PoE:	802.3af Class 2
THD+N (100Hz ~ 8kHz):	<0.05%	Aux:	24V DC 6W
Effective Input Headroom:	30dB	Overall Dimensions (excl. microphone):	
System Headroom:	18dB	Height:	5.3 inches (135 mm)
Gain:	Adjustable in 1dB steps over a 30dB range	Width:	11.9 inches (302 mm)
Maximum Input:	125dB SPL	Depth:	1.9 inches (48 mm)
Mic Type:	Noise cancelling dynamic microphone with dual transducer (monitored)	Weight:	2.6 lbs (1.2 kg)
Mic Pattern:	Cardioid	Mic Cord Length (extended):	4 ft. (1219 mm)
Mic Frequency Response:	100Hz-10kHz	Environment:	
Auxiliary Port:		Ambient Operating Temperature Range:	23-104° F (-5 - 40° C)
PTT:	Switch contact between pin and ground	Humidity:	0 - 95% non-condensing
12V DC Out:	50mA	Altitude:	0-10,000 Feet (0-3000 Meters) MSL
RS-232:	57600 kbps	Sample Rate:	48kHz
Balanced Line In:	-10dB Nominal	A/D Converters:	24-bit
Input Impedance:	3kΩ	Compliance:	
			CE marked (Europe)
			UL and C-UL listed (USA and Canada)
			RINA (Italy)
			RoHS Directive (Europe)

VOCIA WS-4 WALL-MOUNTING BRACKETS



Biamp and Vocia are either trademarks or registered trademarks of Biamp Systems, LLC in the United States and other countries. Other product names referenced may be trademarks or registered marks of their respective owners and Biamp Systems is not affiliated with or sponsored by these companies.