

# Desono™ E Series ENT200 Stand Adapter Kit (E200-SAK) Installation & Operation Guide

## PRODUCT DESCRIPTION

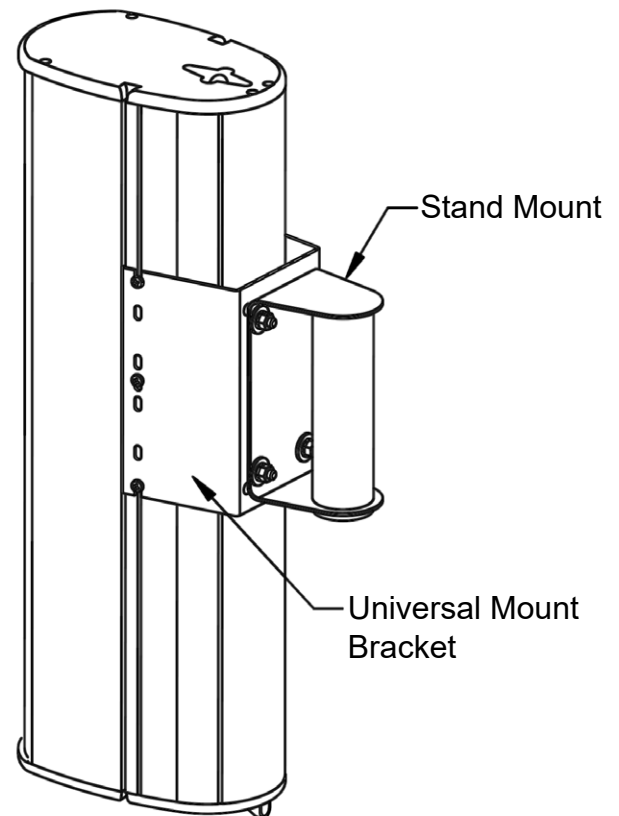
The E Series ENT200 Stand Adapter Kit (E200-SAK) is designed for use with Desono™ column point source loudspeaker models ENT203, ENT206, ENT212 and ENT220. By attaching the E200-SAK accessory to the rear of the loudspeaker enclosure, both a stand mount and a convenient carrying handle are created.

Kit includes:

- Stand Mount attached to a Universal Mount Bracket using M6x30mm button head machine screws, lock washers, and flat washers
- Six (6) M3.5 x 16 Phillips truss-head sheet metal screws to attach the bracket to the loudspeaker enclosure

## FEATURES

- The Stand Mount fitting accepts 1 3/8" diameter loudspeaker support stands.
- Available in black and white: Part no. E200-SAKB includes a black Universal Mount Bracket attached to a black Stand Mount, and part no. E200-SAKW includes a white Universal Mount Bracket attached to a black Stand Mount.
- The Stand Mount is constructed of zinc plated, powder coated steel. The Universal Mount Bracket is constructed of dual-layer powder coated steel.



## RIGGING AND ELECTRICAL SAFETY



**CAUTION:** It is strongly recommended that a licensed and certified professional structural engineer approve the mounting. Severe injury and/or loss of life may occur if this product is improperly installed.



**IMPORTANT:** Installation of loudspeakers should only be performed by trained and qualified personnel. All electrical connections must conform to applicable city, county, state, and national (NEC) electrical codes.



**DANGER:** It is possible to experience severe electrical shock from a power amplifier. Always make sure that all power amplifiers are in the "OFF" position and unplugged from an AC Mains supply before performing electrical work.

## INSTALLATION

1. The E200-SAK comes with the Stand Mount attached to the Universal Mount Bracket. Check to make sure the machine screws are fastened securely and/or tighten if necessary.
  2. Slide the E200-SAK onto the loudspeaker column to the desired position, using the slots along the side of the enclosure.
  3. Install and tighten six (6) 3.5 x 16mm Phillips truss-head sheet metal screws into the reinforced slots in the enclosure, three on each side of the loudspeaker enclosure.
- Note:** Pilot holes are factory-suggested mounting positions but the bracket may be mounted at any position along the length of the column as needed to suit a particular application.



**IMPORTANT:** When placing the Desono E Series ENT200 loudspeaker onto a speaker stand using the E200-SAK accessory, the loudspeaker enclosure should always be positioned directly above one of the stand's tripod legs for maximum support. It is the sole responsibility of the user and/or AV provider to ensure that the assembly is mounted safely on a tripod stand or mounting pole, with enough support or weight at the base to adequately support the aggregate weight of the loudspeaker assembly.

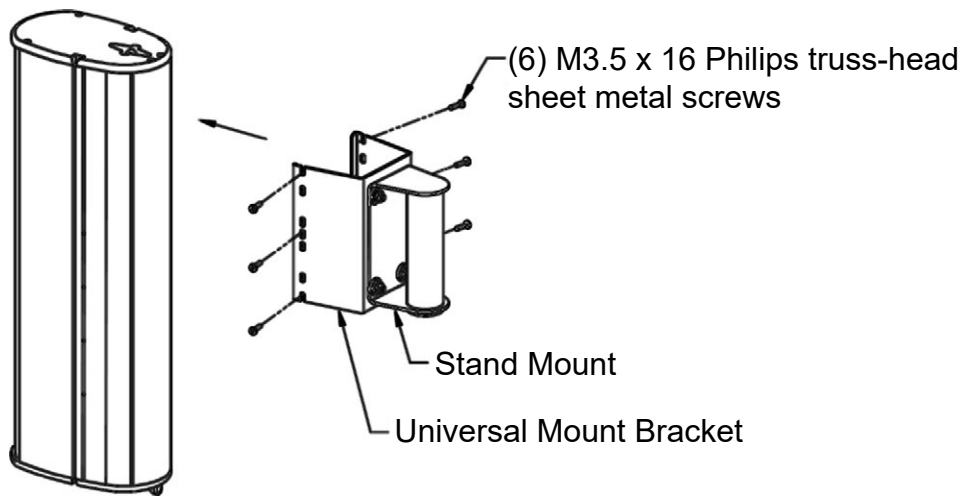


Figure 1. E200-SAK Assembly

---

## CONTACT US

Email: [support@biamp.com](mailto:support@biamp.com)

Web: [support.biamp.com](http://support.biamp.com)

**Note:** Every effort has been made to ensure that the information contained in this manual was complete and accurate when printed. However, due to ongoing technical advances, changes or modifications may have occurred that are not covered in this manual. The latest version is available at [www.biamp.com](http://www.biamp.com).