

Desono™ E Series Pan Bracket Kit (ENT-PB) Installation & Operation Guide

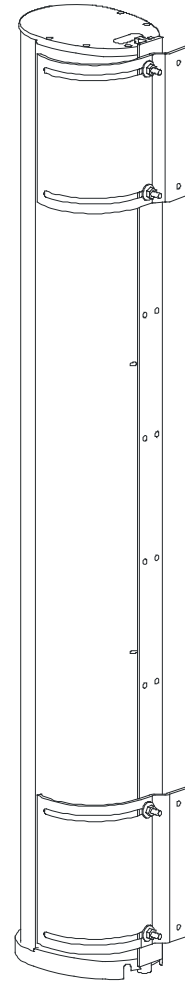
PRODUCT DESCRIPTION

The E Series Pan Bracket Kit, designated ENT-PB, can be used to mount up to five ENT-FR/LF columns flush on a wall while providing a means to rotate the entire array up to 80° (5° - 85° aiming angles) about a vertical axis. The Pan Brackets may be installed on a wall in either a left-hand or right-hand orientation as required for the desired aiming of the array. The Pan Bracket Kit consists of two curved metal brackets and all of the hardware required to attach these brackets to the T-Bar Mounting Bracket included with the ENT Column Line Array System.

All parts in the kit are engineered to provide a high margin of safety when used in accordance with these instructions. The brackets are manufactured of steel and are covered with a durable powder-coat finish. Kits are available in either black (ENT-PB) or white (ENT-PBW) to match the color of the enclosure.

Kit Contents:

Part	Qty
Metal Pan Bracket	2
M6 x 25mm Flat Head Screws	8
6mm Flat Washer	8
6mm Lock Washer	8
M6 Hex Nuts	16



RIGGING AND ELECTRICAL SAFETY

- CAUTION:** It is strongly recommended that a licensed and certified professional structural engineer approve the mounting. Severe injury and/or loss of life may occur if this product is improperly installed.
- IMPORTANT:** Installation of loudspeakers should only be performed by trained and qualified personnel. All electrical connections must conform to applicable city, county, state, and national (NEC) electrical codes.
- WARNING:** It is possible to experience severe electrical shock from a power amplifier. Always make sure that all power amplifiers are in the "OFF" position and unplugged from an AC Mains supply before performing electrical work.
- WARNING:** It is essential that the secondary cable be secured to a suitable load-bearing point separate from the primary loudspeaker mounting point, with as little slack as possible so as not to develop undue kinetic force if the primary mount were to fail.

- WARNING:** The E Series ENT Pan Bracket Kit must not be used to support more than five (5) ENT-FR/LF loudspeakers. Attempting to do so will exceed the Working Load Limit of the bracket and could result in the failure of the bracket kit and potentially result in severe injury and/or loss of life
- WARNING:** The bolts used and wall/ceiling material into which the Pan Bracket Kit assembly is bolted must be capable of supporting the load of the entire ENT-FR/LF array to be mounted. It is the responsibility of the installer to verify these items.

NOTE: A single tall array of up to five (5) ENT-FR/LF columns joined together by the ENT-FR/LF Coupler Bracket(s) may be suspended using a single Pan Bracket Kit. If multiple columns are to be mounted using a Pan Bracket Kit, purchase the appropriate number of Coupler Brackets (part number ENT-CB) and follow the instructions in the complete E Series ENT-FR/LF Installation/Operation Manual available at biamp.com

INSTALLATION

Hardware to attach the ENT column or column assembly and Pan Bracket Kit to the mounting surface must be supplied by the installer and should be rated for the entire weight of the array. This is particularly important if the enclosures are steeply angled upward or downward, as most or all of the weight may be supported by the front or rear points only.

1. The T-Bar or "T" Mounting Bracket, is attached to each ENT-FR/LF column loudspeaker. Remove the T-Bar Bracket(s) from each column by either laying the loudspeaker on its side or placing it upside down on a level surface. There are eight set screws, four on each side of the rear of the enclosure, that secure this bracket. Loosen the set screws and slide the mounting bracket down parallel to the enclosure until it can be pulled out of the slot (Figure 2).

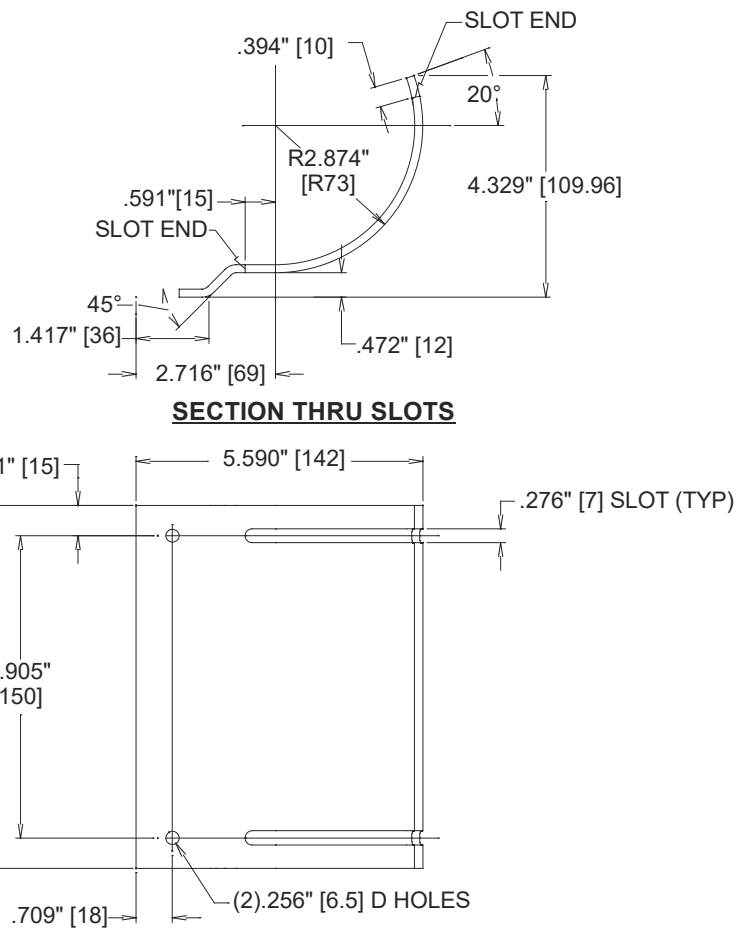


Figure 1. Bracket drawing

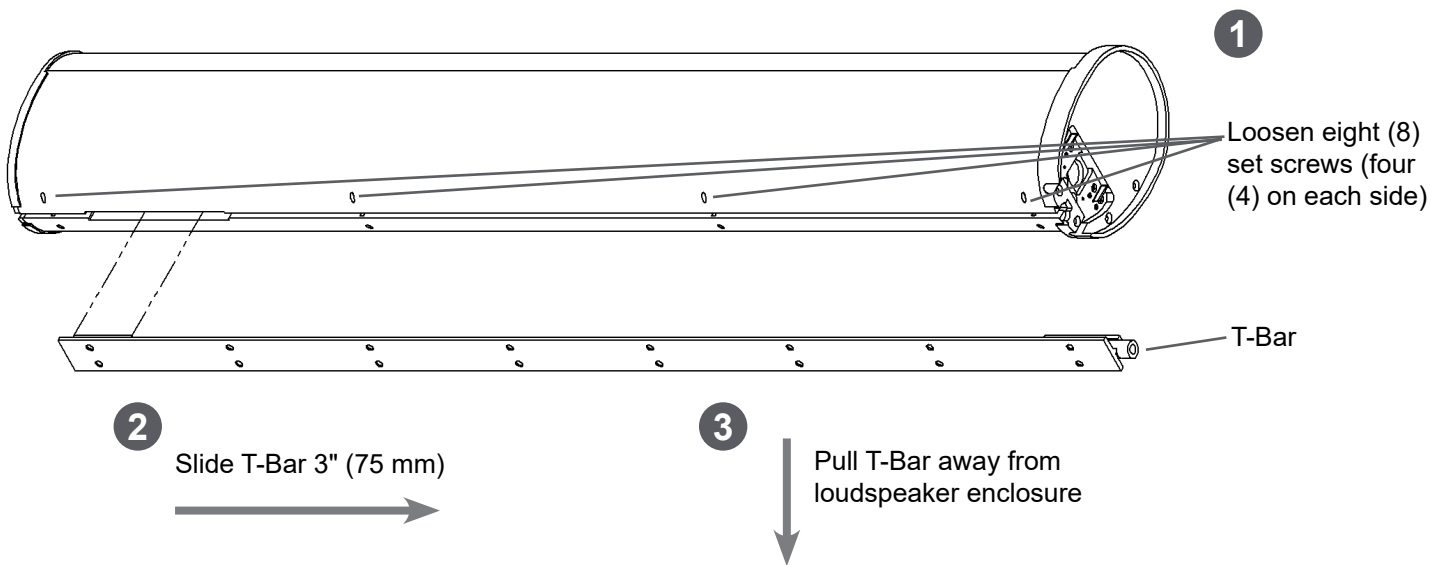


Figure 2. T-Bar bracket removal

Installation (continued)

- Securely fasten eight of the M6 bolts and nuts to the T-Bar Bracket using the four top holes and four bottom holes in the T-Bar Bracket. This will yield eight mounting studs for the Pan Brackets. Do this before attaching either of the Pan Brackets or the washers to the T-Bar Bracket.
- Attach one of the Pan Brackets to the top studs on the T-Bar Bracket and the other Pan Bracket to the bottom studs on the T-Bar Bracket using the hardware as shown in Figures 3 and 4. Tighten the nuts securely.
- Place the T-Bar Bracket and Pan Bracket assembly on the wall where the ENT array is to be installed. Mark the Pan Bracket hole positions on the wall.
- Remove the T-Bar Bracket and Pan Bracket assembly from the wall and properly prepare the wall to accept appropriate hardware to attach the Pan Bracket assembly to the wall.
- Attach the T-Bar Bracket and Pan Bracket assembly to the wall.
- Loosen the eight M6 nuts between the Pan Bracket and the wall (not the nuts between the T-Bar Bracket and the Pan Bracket, rotate the T-Bar Bracket to its approximate desired aiming location and tighten the nuts.
- Align the tabs on the T-Bar Bracket with the larger opening in the slot on the back of the ENT enclosure. Insert the T-Bar Bracket into the slot in the enclosure and slide the enclosure down onto the T-Bar Bracket until it is resting on the Bottom Fitting.
- Tighten the eight M4 set screws on the ENT enclosure to secure it to the T-Bar Bracket.
- When the enclosure is in position, the eight M6 nuts between the Pan Bracket and the wall may be loosened and the array rotated in the Pan Bracket to the final desired aiming position. Once the array is aimed as desired, the M6 nuts must be securely tightened to keep the array in position and have a safe mounting.



IMPORTANT: The installer is solely responsible for determining if all rigging components that are used to mount or suspend the enclosure(s) are adequately sized and rated, and if the structure they are mounted or suspended from is capable of safely supporting the aggregate weight load. If multiple enclosures are suspended, it is the installer's responsibility to insure that the combined weight load does not exceed the Working Load Limit of any one rigging fitting.

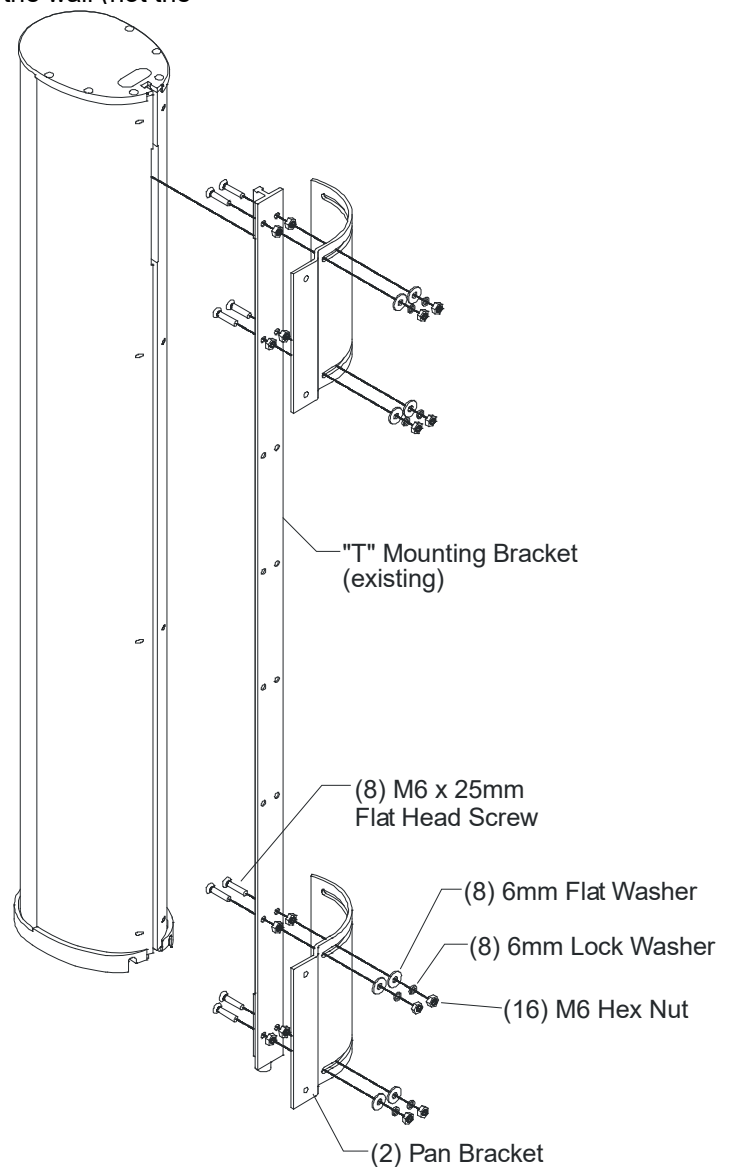


Figure 3. Bracket attachment to single column

Installation (Continued)

11. If multiple ENT columns are to be mounted in an array with the Pan Bracket, first connect the individual T-Bar Brackets using the appropriate number of ENT Coupler Brackets (ENT-CB) and perform Step #6 by attaching the entire T-Bar Bracket and Pan Bracket assembly to the wall. Slide the individual ENT enclosures down onto the T-Bar Bracket as described in Step #8, starting with the lowest enclosure. Make sure the Bottom Fitting is securely fastened to the bottom of the T-Bar Bracket and Coupler Bracket assembly with its M6 set screw. This is critical as the entire weight of the array must be supported by this single Bottom Fitting. The upper enclosures will not rest on the Bottom Fitting, but instead will rest on the ENT enclosure directly below it. For more information on using the ENT Coupler Bracket with the Pan Bracket Kit, please refer to the complete ENT-FR/LF Installation/Operation Manual available at biamp.com.

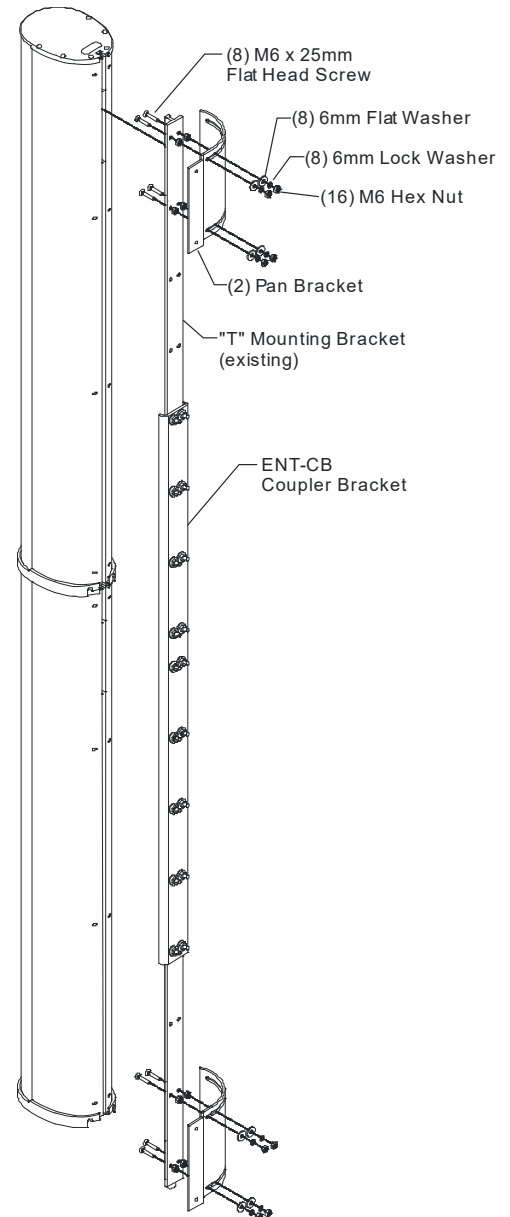


Figure 4. Bracket attachment to a column array

CONTACT US

Email: support@biamp.com

Web: support.biamp.com



IMPORTANT: Whenever ENT column loudspeakers are installed outdoors, or exposed to direct rain, water or precipitation, the loudspeaker enclosure must be angled downward at a minimum of two (2) degrees.



IMPORTANT: All rigging elements must be reviewed by a licensed engineer or certified rigging professional to ensure they are sufficient for the application.

Note: Every effort has been made to ensure that the information contained in this manual was complete and accurate when printed. However, due to ongoing technical advances, changes or modifications may have occurred that are not covered in this manual. The latest version is available at www.biamp.com.