

# V SERIES



BRACKETS AND ACCESSORIES GUIDE

**biamp.**<sup>™</sup>

## **NOTICE**

The brackets and accessories described in this guide are for illustrative purposes only. Please refer to the product owner's manual or instruction guide for complete information. The latest product information is available on [biamp.com/community](http://biamp.com/community).

## **CAUTION**

Installation of loudspeakers should only be performed by trained and qualified personnel. It is strongly recommended that a licensed and certified professional structural engineer approve the mounting design.

## **WAIVER OF LIABILITY**

Whenever Biamp is requested to provide advice or material regarding the design or installation of its equipment such advice or material is intended and provided for information purposes only. The advice or material is only intended to familiarize the user with various options for design, coverage and installation. User expressly agrees that Biamp shall not be liable for any damages, whether in tort, contract, strict liability or otherwise consequential, incidental or otherwise to person or property as a result, directly or indirectly, of the use of any advice or material. The user of any advice or material provided by Biamp assumes all risk and liability for the use thereof. Without limitation to the above, Biamp does not accept liability or responsibility for the performance of any manufacturer, design, method, use, material or technique employed by the acoustic designer and/or installation company. All advice, information or material is subject to field variations and environmental conditions. All advice, information, or material given is offered on the assumption that common or standard practices for installation used in the construction trades is applied to all phases of the user's project. Actual assembly or configuration must be performed only by persons with knowledge of mechanical trades and rigging, where applicable. Any installation method must be certified by a Professional Engineer licensed in the state in which assembly or configuration is located.

# TABLE OF CONTENTS

Yoke Mounting Brackets



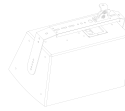
Page 4

Vertical Yokes



Page 6

Tilting Bracket



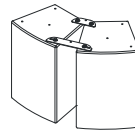
Page 8

Versatilt Bracket



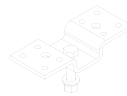
Page 9

Vertical Flying Kit



Page 10

Ceiling Mount Kit



Page 11

Eyebolt Kits

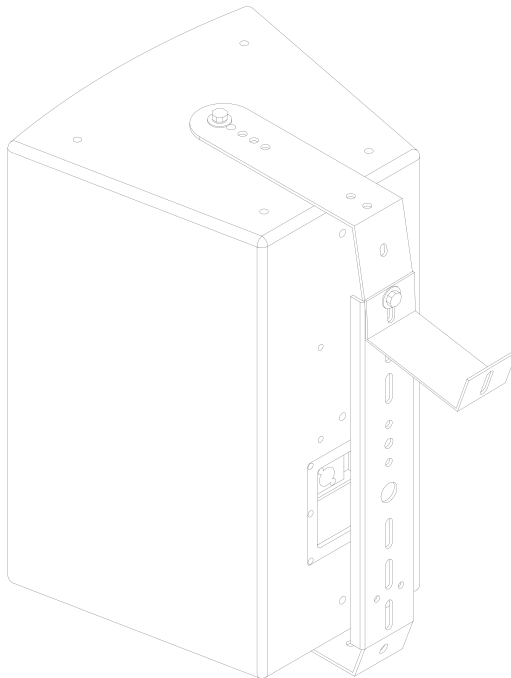


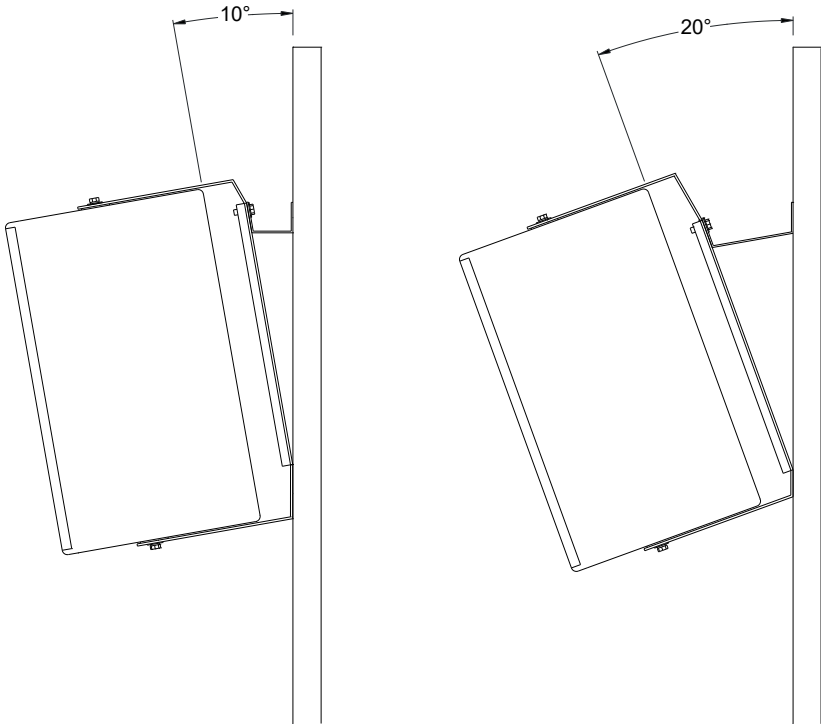
Page 12

# YOKE MOUNTING BRACKETS

Model VB-Y12, VB-Y15, VB-Y32, VB-Y35

- U-shaped yoke mounting brackets with optional 10° and 20° standoffs
- Allow direct horizontal and vertical (0°) mounting to a wall or ceiling, as well as a 10° or 20° downward or upward vertical tilt
- Also used in conjunction with other V SERIES mounting accessories
- Yoke Mounting Bracket is included with compact models V2-6, V2-8, V2-26 and V2-28
- Yoke Mounting Bracket is sold separately for large models V2-12, V2-15, V2-32 and V2-35





Optional standoffs are included with V SERIES Yoke Mounting Brackets to achieve a 10° or 20° downward or upward vertical tilt if desired.

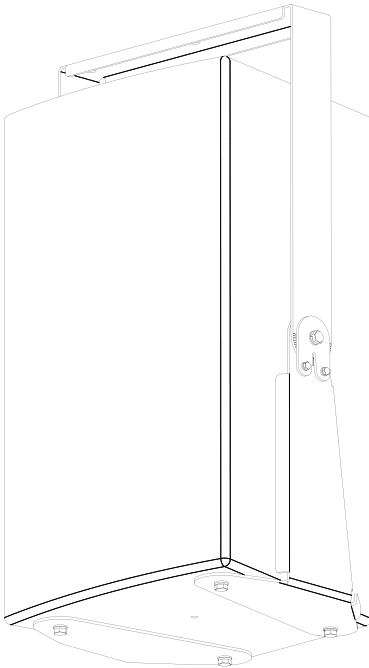
| Part No | Description                        |
|---------|------------------------------------|
| VB-Y12  | V2-12 Yoke Mounting Bracket, Black |
| VB-Y12W | V2-12 Yoke Mounting Bracket, White |
| VB-Y15  | V2-15 Yoke Mounting Bracket, Black |
| VB-Y15W | V2-15 Yoke Mounting Bracket, White |
| VB-Y32  | V2-32 Yoke Mounting Bracket, Black |
| VB-Y32W | V2-32 Yoke Mounting Bracket, White |
| VB-Y35  | V2-35 Yoke Mounting Bracket, Black |
| VB-Y35W | V2-35 Yoke Mounting Bracket, White |

*Note: Yoke mounting brackets are included with compact V SERIES models V2-6, V2-8, V2-26 and V2-28*

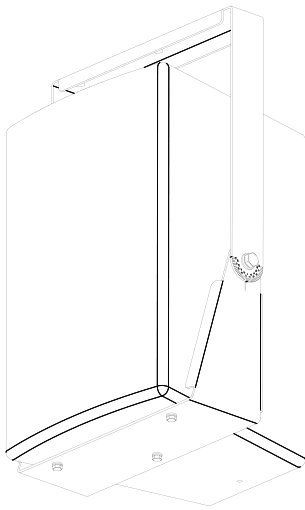
# VERTICAL YOKES

Model VB-VY6, VB-VY8, VB-VY26, VB-VY28,  
VB-VY12, VB-VY15, VB-VY32, VB-VY35

- Vertical mounting yoke kit allows for precise vertical aiming of a single full-range V SERIES loudspeaker
- Dedicated vertical yoke is available for each V SERIES full-range loudspeaker model size
- Allows for precise installation from an overhead yoke of a single full-range V SERIES loudspeaker with up to 90° of vertical downtilt
- Two axes of motion—horizontal rotation and vertical tilt—if installed using a center attachment bolt
- Yoke bracket has a single mounting hole with an aiming angle guide printed directly onto the bracket for fast and convenient location of specific aiming angles
- Available in black or white finishes



*Vertical Yoke kits for large V SERIES loudspeaker models V2-12, V2-15, V2-32 and V2-35 include left and right bottom yoke brackets.*



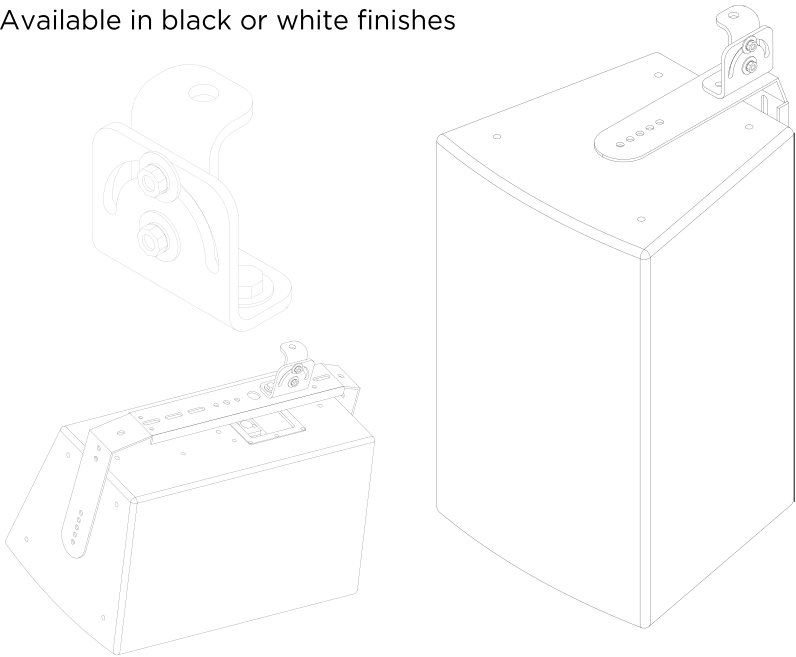
*Vertical Yoke kits for compact V SERIES loudspeaker models V2-6, V2-8, V2-26 and V2-28 include a single bottom U-bracket.*

| Part No  | Description                |
|----------|----------------------------|
| VB-VY6B  | V2-6 Vertical Yoke, Black  |
| VB-VY6W  | V2-6 Vertical Yoke, White  |
| VB-VY8B  | V2-8 Vertical Yoke, Black  |
| VB-VY8W  | V2-8 Vertical Yoke, White  |
| VB-VY26B | V2-26 Vertical Yoke, Black |
| VB-VY26W | V2-26 Vertical Yoke, White |
| VB-VY28B | V2-28 Vertical Yoke, Black |
| VB-VY28W | V2-28 Vertical Yoke, White |
| VB-VY12B | V2-12 Vertical Yoke, Black |
| VB-VY12W | V2-12 Vertical Yoke, White |
| VB-VY15B | V2-15 Vertical Yoke, Black |
| VB-VY15W | V2-15 Vertical Yoke, White |
| VB-VY32B | V2-32 Vertical Yoke, Black |
| VB-VY32W | V2-32 Vertical Yoke, White |
| VB-VY35B | V2-35 Vertical Yoke, Black |
| VB-VY35W | V2-35 Vertical Yoke, White |

# TILTING BRACKET

## Model VB-TILT

- A two-part rotational device that fastens to a V SERIES Yoke Mounting Bracket to permit angling one loudspeaker in relation to another
- Allows precise angling of an enclosure
- Use with any full-range V SERIES loudspeaker
- Yoke Mounting Bracket is included with compact models V2-6, V2-8, V2-26 and V2-28
- Yoke Mounting Bracket is sold separately for large models V2-12, V2-15, V2-32 and V2-35 (see page 5)
- Available in black or white finishes



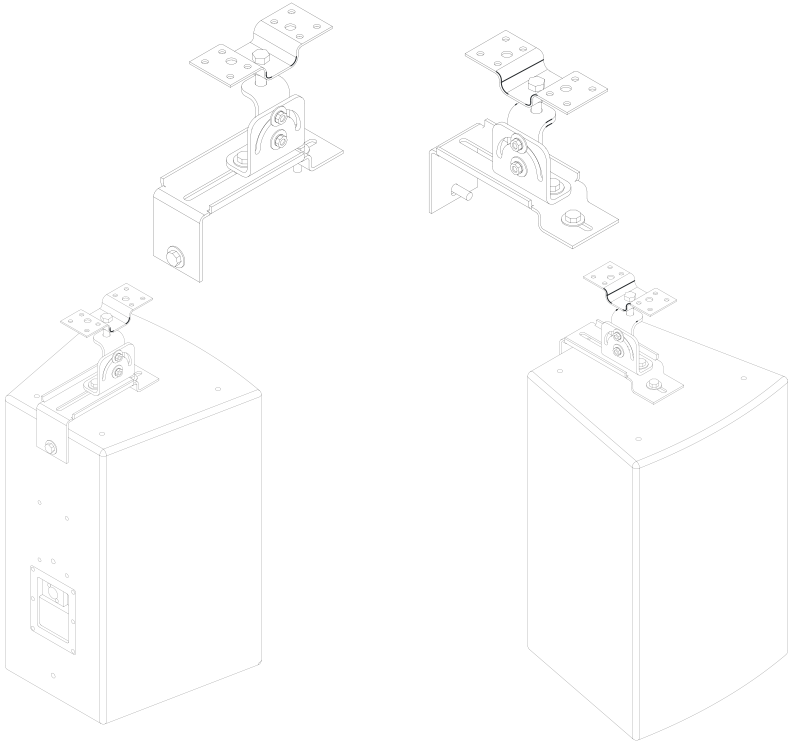
| Part No  | Description            |
|----------|------------------------|
| VB-TILT  | Tilting Bracket, Black |
| VB-TILTW | Tilting Bracket, White |



# VERSATILT BRACKET

## Model VB-VST

- Allows precise installation of a single V SERIES full-range loudspeaker from the ceiling
- Includes a rotational device, a hang bracket that fastens to the top or bottom of the loudspeaker enclosure, a ceiling mount bracket, and an M10 eyebolt
- Use with large V SERIES models V2-12, V2-15, V2-32 and V2-35
- Available in black or white finishes

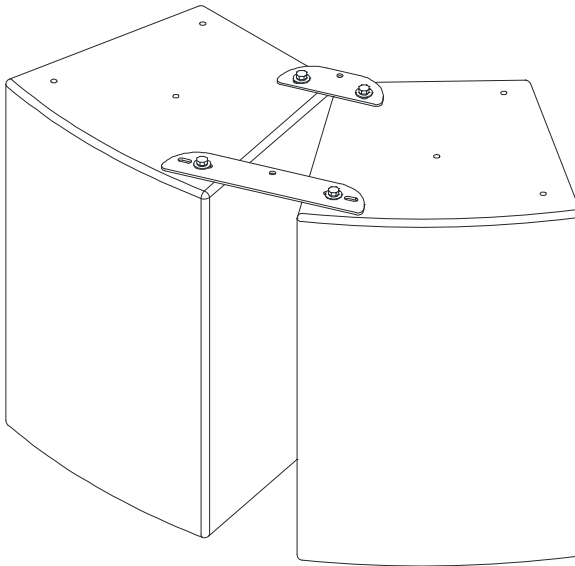


| Part No | Description              |
|---------|--------------------------|
| VB-VST  | Versatilt Bracket, Black |
| VB-VSTW | Versatilt Bracket, White |

# VERTICAL FLYING KIT

## Model VFKIT

- Allows two same-size enclosures to be flown at 45 and 60 degree splay angles for a horizontally aligned array, providing two steel points for suspension
- Each kit includes the front spacer, the rear spacer, four eyebolts, and the hardware for attaching the brackets to the V SERIES enclosures
- When a steep down-tilt (greater than 10 degrees) is required, use an additional Vertical Flying Kit (VFKIT) to fasten to the bottom of the array for appropriate distribution of forces on the cabinets and their suspension points
- Available in black or white finishes

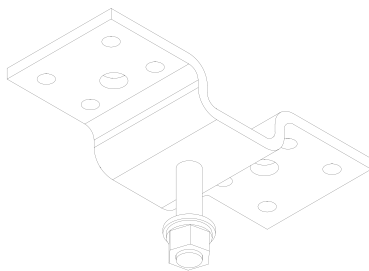
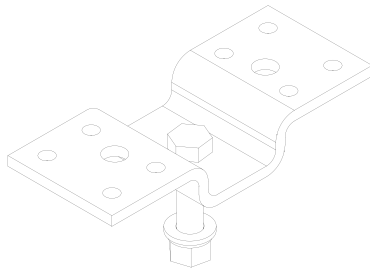


| Part No | Description                |
|---------|----------------------------|
| VFKIT   | Vertical Flying Kit, Black |
| VFKITW  | Vertical Flying Kit, White |

# CEILING MOUNT KIT

## Model CMKIT

- Use to create a hang point from a ceiling surface
- Each kit includes a ceiling mount bracket and a bolt that fastens to a V SERIES Yoke Mounting Bracket or other optional loudspeaker brackets
- Yoke Mounting Bracket is included with compact models V2-6, V2-8, V2-26 and V2-28
- Yoke Mounting Bracket is sold separately for large models V2-12, V2-15, V2-32 and V2-35 (see page 5)
- Use with any full-range V SERIES loudspeaker
- Available in black or white finishes

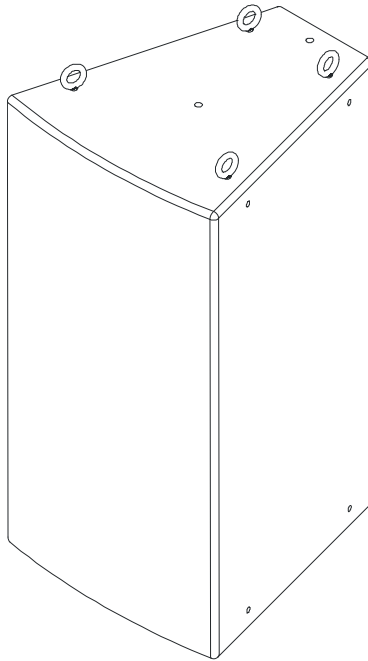


| Part No | Description              |
|---------|--------------------------|
| CMKIT   | Ceiling Mount Kit, Black |
| CMKITW  | Ceiling Mount Kit, White |

# EYEBOLT KIT

Model M10EYBLTKIT, M6EYBLTKIT

- Eyebolt kits for suspending and rigging V SERIES loudspeakers
- Use the 6mm M6EYBLTKIT with compact V SERIES models V2-6, V2-8, V2-26 and V2-28
- Use the 10mm M10EYBLTKIT with large V SERIES models V2-12, V2-15, V2-32 and V2-35
- Each kit contains four (4) eyebolts, black zinc plated



| Part No     | Description                             |
|-------------|---|
| M10EYBLTKIT | 10mm eyebolt kit (4) for V2-12/15/32/35 |
| M6EYBLTKIT  | 6mm eyebolt kit (4) for V2-6/8/26/28    |