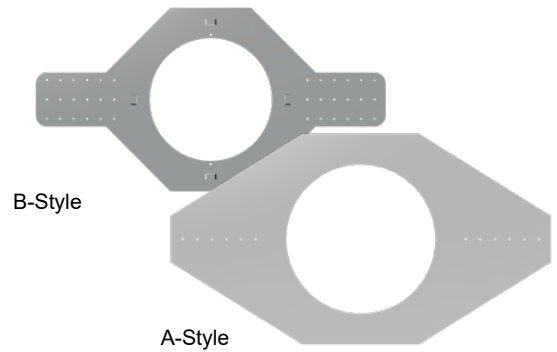


**Desono™**  
**Ceiling Loudspeaker Accessories**  
**New Construction Bracket**  
**Installation Guide**



Biamp offers New Construction Brackets (NC) suitable for all Desono CM, C-IC6, and DX ceiling loudspeakers. The illustrations below are a typical installation in a drywall ceiling. Please refer to the appropriate Installation and Operation guide for additional information on drywall ceiling installation methods, and preinstallation in a new drywall ceiling.

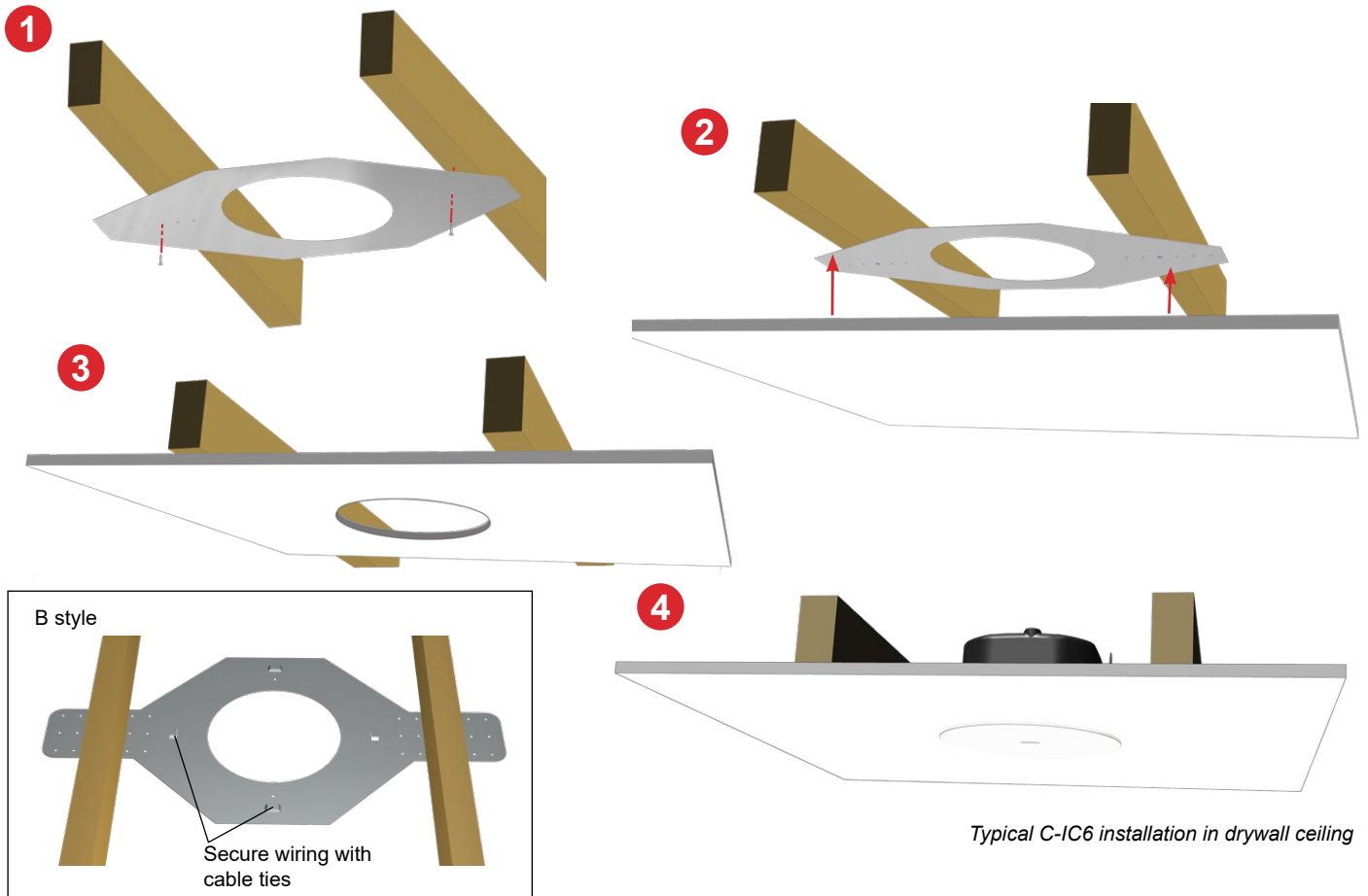


**Installation**

1. Fasten the bracket to the trusses. Run wire(s) to the location and secure them to the top of the bracket. B-style brackets have cleats to easily secure the wiring with cable ties before ceiling is installed - see box below.  
**Note:** Use of a stretched string or laser to align the brackets, rather than aligning to the truss is recommended.
2. Install drywall.
3. Cut out the hole.
4. Install ceiling loudspeaker after the ceiling is finished following installation guide for that model.

**New Construction Bracket**

Model	Fits	Style
SPA-NC100	CM20DTS, CM30DTD	B
SPA-NC200	CM60DTD	B
SPA-NC300	DX-IC4LP, DX-IC4	A
SPA-NC400	DX-IC6, DX-IC6-B, C-IC6	A
SPA-NC500	DX-IC8, CX-IC6LP, C-IC6LP	A
SPA-NC600	DX-IC10, DX-IC10SUB	A

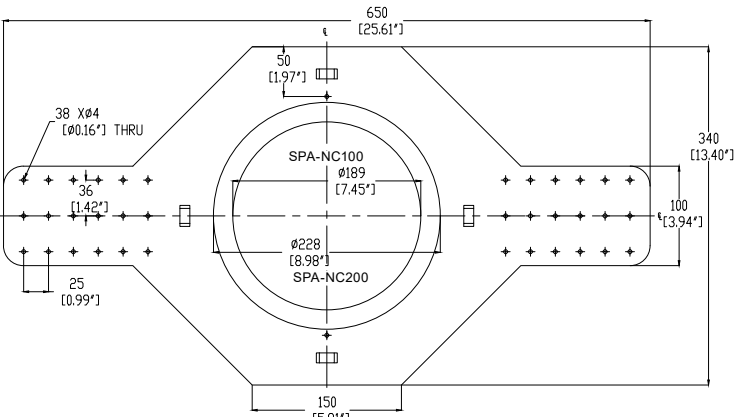


*Typical C-IC6 installation in drywall ceiling*



## TECHNICAL DRAWINGS

### SPA-NC100 / SPA-NC200

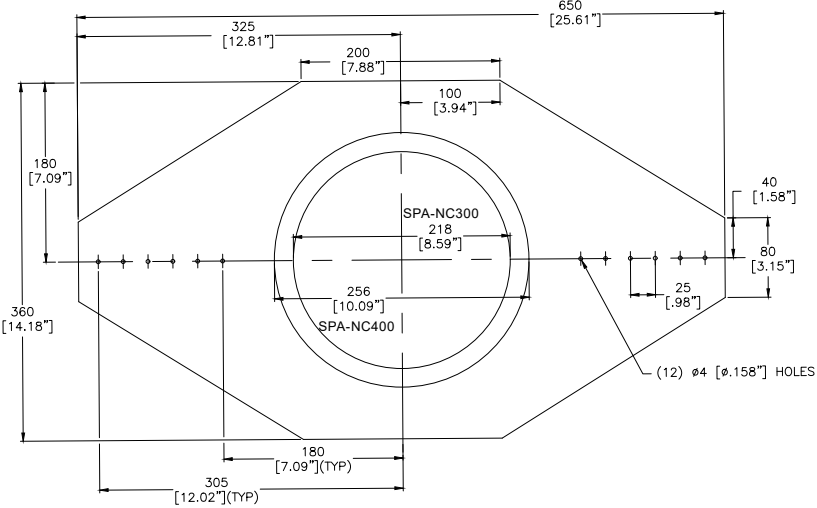


Exterior dimensions and hole placement are shared on the 3 drawings at left. The ID of the hole cutout is noted for each model.

### SPECIFICATIONS

**Material / Finish:** 1 mm steel. / Bright zinc plate  
**Quantity per Kit:** Sold in 6-packs

### SPA-NC300 / SPA-NC400

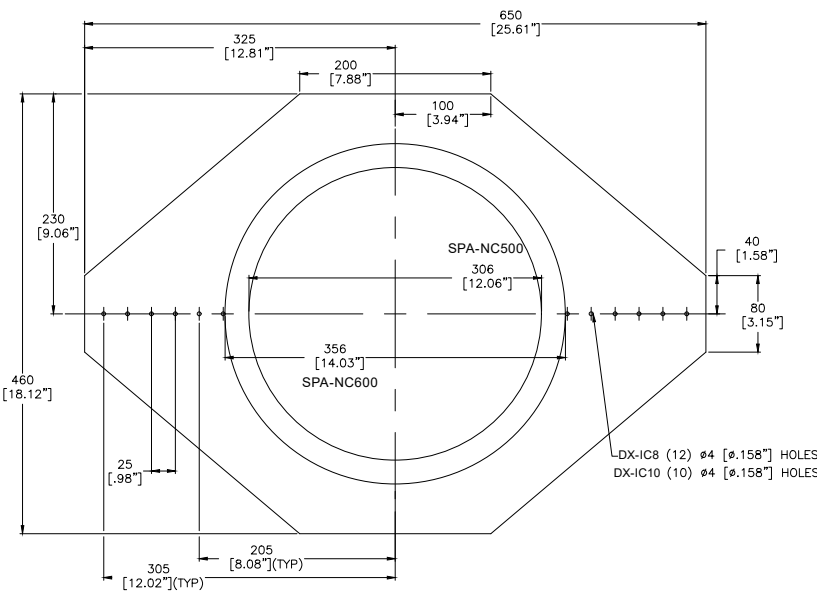


Scan this QR-code and navigate to your loudspeaker model to download the appropriate installation guide



[bia.mp/DesonoCeiling\\_pubs](http://bia.mp/DesonoCeiling_pubs)

### SPA-NC500 / SPA-NC600



Drawings not to scale

### CONTACT US

Email: [support@biamp.com](mailto:support@biamp.com)  
Web: [support.biamp.com](http://support.biamp.com)  
Warranty: [biamp.com/legal/warranty-information](http://biamp.com/legal/warranty-information)