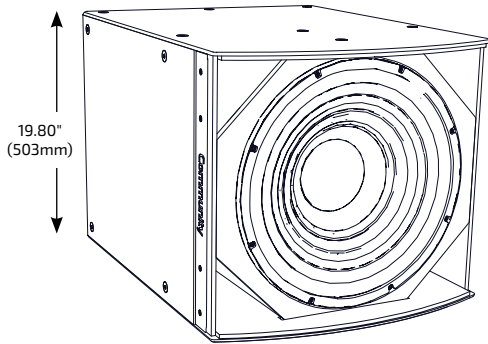


I SERIES

Subwoofer 600

IS6-118

 MEDIUM POWER SINGLE 18-INCH
SUBWOOFER

APPLICATIONS
SMALL TO MEDIUM SIZE VENUES

 Houses of Worship · Auditoriums · Restaurants
Meeting Rooms · Theaters · Corporate A/V Systems

LARGER SIZE VENUES

 Arenas · Stadiums · Night Clubs · Theaters
Themed Entertainment · Larger Houses of Worship

DESCRIPTION

I SERIES Subwoofer 600 loudspeakers provide excellent acoustic performance, modular flexibility and elegant aesthetics for modern performance venues. Designed to support the goals of systems integrators and consultants both acoustically and mechanically, I SERIES Subwoofers provide a broad range of sizes and capabilities that can be specifically matched to the needs of any modern venue.

The compact, low-profile single driver I SERIES subwoofers are ideal for distributed or concealed sub-bass and are the perfect choice for ground stack applications. Additionally, each cabinet was carefully designed to provide matching face widths and suspension point locations for seamless integration into flown arrays with I SERIES full-range models when additional LF extension is needed but a compact appearance is required. The broad range of optional low profile fly rails, fly frames and modular array brackets reduces design and installation time while also providing improved aesthetics and nearly limitless integration possibilities.

The IS6-118 is a compact, direct radiating subwoofer with large, balanced ports that provide optimal enclosure tuning and even air pressure distribution to the driver cone, reducing distortion and extending system longevity. A FEA-optimized ferrite motor with long linear excursion capabilities provides deep bass response for the enclosure's size.

FEATURES

- Long excursion ferrite LF driver with FEA-optimized motor and symmetric movement suspension
- Matched-size enclosure and aligned suspension point for seamless flown array integration
- 700W continuous power handling (2800W peak)
- High sensitivity design minimizes power compression losses and required amplifier size

TECHNICAL SPECIFICATIONS¹

Operating Mode	Single Amp		
Operating Environment	Indoor or Weather-Resistant Outdoor		
Operating Range²	32 Hz to 145 Hz		
Transducer	1 x 18" (457mm) double-treated cone with 4" (102mm) inner/outer wound voice coil, ferrite construction		
Continuous Power Handling³ @ Nominal Impedance	Single Amp	75V	700W @ 8 ohms (2800W peak)
Nominal Sensitivity⁴	Half Space	@ 1W 104 dB	@ 2.83V 104 dB
	Whole Space	98 dB	98 dB
Nominal Maximum SPL⁵	Half Space	Peak 138 dB	Continuous 132 dB
	Whole Space	132 dB	126 dB
Equalized Sensitivity⁶	Half Space	@ 1W 99 dB	@ 2.83V 99 dB
	Whole Space	93 dB	93 dB
Equalized Maximum SPL⁷	Half Space	Peak 133 dB	Continuous 127 dB
	Whole Space	127 dB	121 dB
Recommended Amplifiers	Single Amp	700W - 1400W @ 8 ohms, (75V - 106V)	

PHYSICAL

Input Connection	(2) Screw terminal blocks (4-position)
Mounting Points	(24) M10 threaded rigging points Indoor; (22 in Outdoor model)
Environmental	Outdoor: IP55W per IEC 60529, MIL-STD-810G
Weight	97 lbs (44.0 kg) subwoofer only
Dimensions H x W x D	19.80" x 22.10" x 28.89" (503 x 561 x 734 mm)
Finish	Refer to the Technical Drawing

OPTIONS

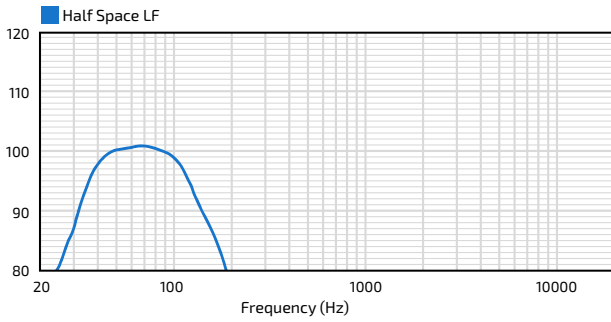
Accessories (Refer to BalancePoint™ Flyware Accessory Guide for complete listing)	<i>Rigging kits include:</i> BFR22: BalancePoint™ Fly Rails; IAF40/IAF55: Isometric Array Frame; HAB: Sub/Dual 2-Way Horiz. Array; HVS: Multiple Horiz./Vert. Array Kits with Sub Behind Array Options; DFS: Downfill Splay Kit; IUB0002WRG: Reinforced 3045S U-Bracket (WR models only)
Configure-to-Order (CTO)	Custom color, Custom cable lengths on outdoor version

Biamp strives to improve its products on a continual basis. Specifications are therefore subject to change without notice.

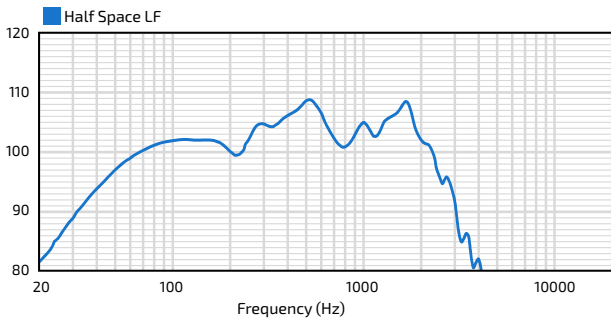
IS6-118

MEDIUM POWER SINGLE 18-INCH
SUBWOOFER

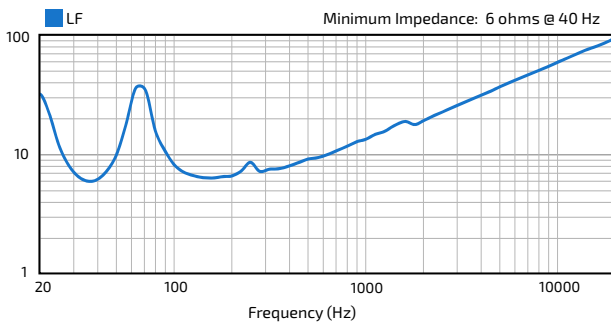
AXIAL PROCESSED RESPONSE (dB)⁸



AXIAL SENSITIVITY (dB SPL)⁹



IMPEDANCE (Ohms)



IS6-118

MEDIUM POWER SINGLE 18-INCH SUBWOOFER

TECHNICAL DRAWING / DIMENSIONS / FINISH

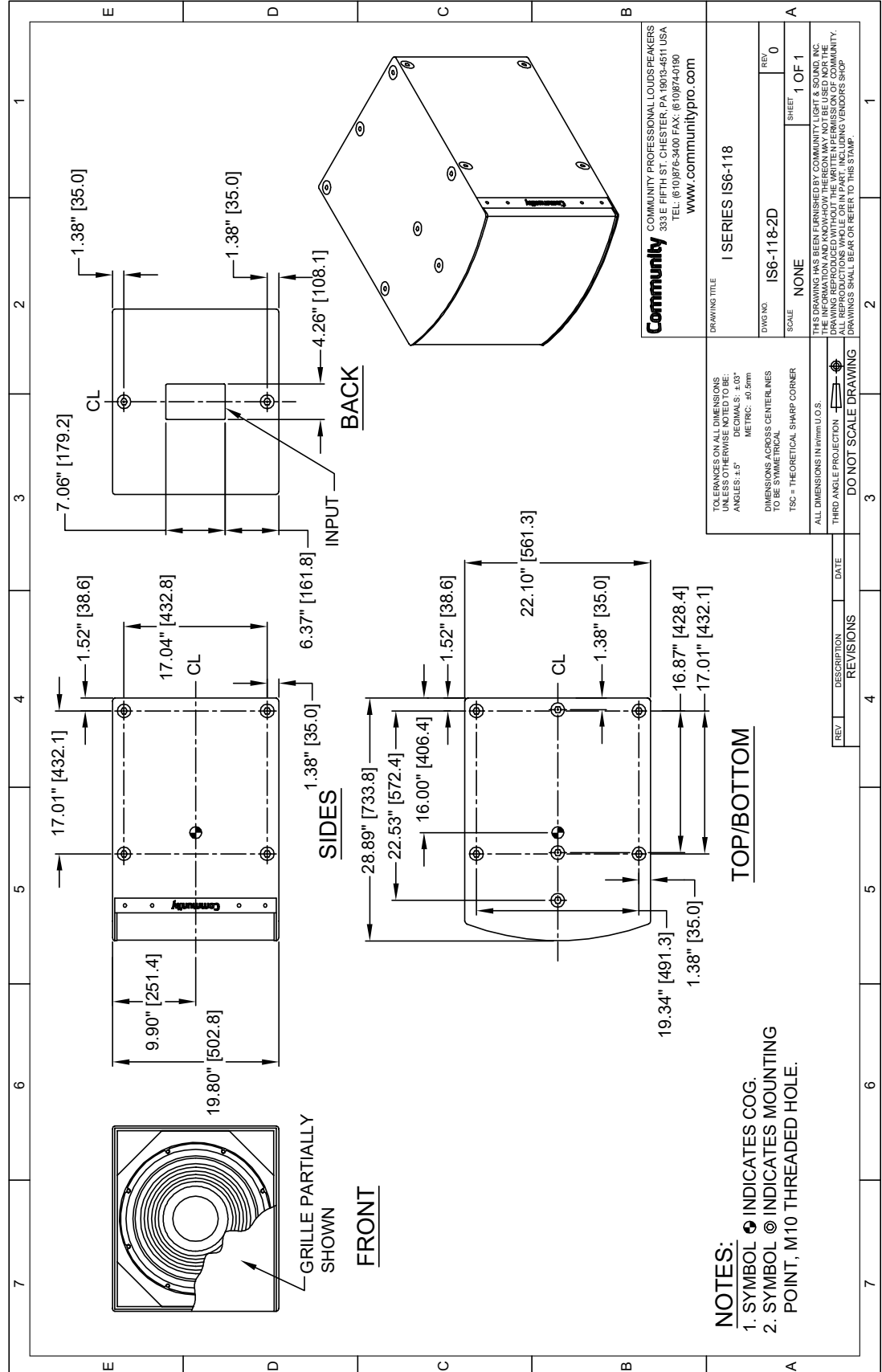
H x W x D
19.80" x 22.10" x 28.89"
(503 x 561 x 734 mm)

Unit Weight
97 lbs (44.0 kg) loudspeaker only

Shipping Weight
111 lbs (50.3 kg)

Indoor Models:
Grille: Powder-coated perforated steel backed with color-matched acoustically transparent woven fabric. Black (RAL#9005) or White (RAL#9003)
Enclosure / Finish: Black (RAL#9004) or White (RAL#9003) low gloss, uniformly textured painted 15mm Baltic Birch plywood.

***Outdoor Models:**
Grille: Marine grade aluminum with zinc-rich dual-layer powder-coat, featuring NeverWet™ treated acoustically transparent woven black fabric backing. Grey (RAL#7047)
Enclosure / Finish: 15mm PolyGlas, Grey, heavily textured industrial-grade exterior-rated coating. Black, White or Custom colors upon request.



- NOTES:**
1. SYMBOL ● INDICATES COG.
 2. SYMBOL ⊙ INDICATES MOUNTING POINT, M10 THREADED HOLE.

*Note: The outdoor model drawing is available at blamp.com - Input panel and mounting point locations, and the unit weight will vary from indoor model (shown).

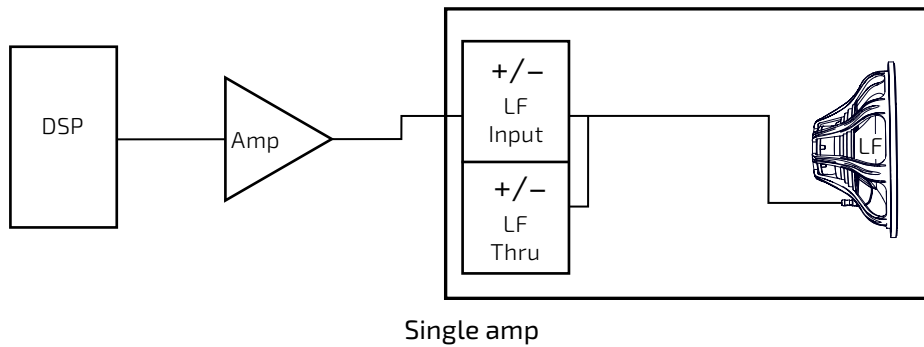
I SERIES

Subwoofer 600

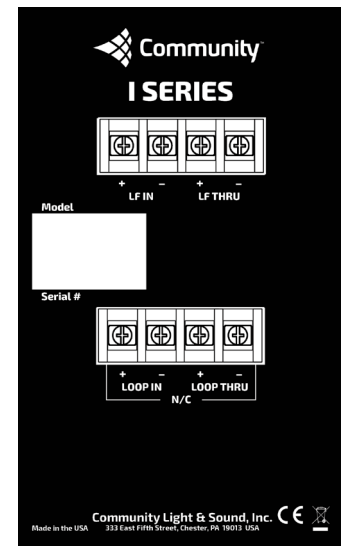
IS6-118

MEDIUM POWER SINGLE 18-INCH
SUBWOOFER

CONNECTION DIAGRAM



INPUT PANEL



NOTES

- PERFORMANCE SPECIFICATIONS** All measurements are taken indoor using a time-windowed and processed to eliminate room effects, approximating an anechoic environment, a distance of 6.0 m. All acoustic specifications are rounded to the nearest whole number. An external DSP with settings provided by Community Professional Loudspeakers is required to achieve the specified performance; further performance gains can be realized using Community's dSPEC226 loudspeaker processor with FIR power response optimization.
- OPERATING RANGE** The frequency range in which the axial processed response remains within 10dB of the average SPL.
- CONTINUOUS POWER HANDLING** Maximum continuous input voltage (and the equivalent power rating, in watts, at the stated nominal impedance) that the system can withstand, without damage, for a period of 2 hours using an EIA-426-B defined spectrum; with recommended signal processing and protection filters.
- NOMINAL SENSITIVITY** Averaged SPL over the operating range with an input voltage that would produce 1 Watt at the nominal impedance and the averaged SPL over the operating range with an input voltage of 2.83 Volts, respectively; swept sine wave axial measurements with no external processing applied in whole space, except where indicated.
- NOMINAL MAXIMUM SPL** Calculated based on nominal / peak power handling, respectively, and nominal sensitivity; exclusive of power compression.
- EQUALIZED SENSITIVITY** The respective SPL levels produced when an EIA-426-B signal is applied to an equalized loudspeaker system at a level which produces a total power of 1 Watt, in sum, to the loudspeaker subsections and at a level which produces a total voltage, in sum, of 2.83 volts to the loudspeaker subsections, respectively; each referenced to a distance of 1 meter.
- EQUALIZED MAXIMUM SPL** The SPL produced when an EIA-426-B signal is applied to an equalized loudspeaker system, at a level which drives at least one subsection to its rated continuous input voltage limit, referenced to a distance of 1 meter. The peak SPL represents the 2:1 (6dB) crest factor of the EIA-426-B test signal.
- AXIAL PROCESSED RESPONSE** The axial magnitude response of the complete loudspeaker system and each pass band capable of being driven by an independent amplification channel with recommended signal processing applied. 1/6 octave smoothing applied.
- AXIAL SENSITIVITY** The SPL plotted against frequency, in all operating modes and for each pass band capable of being driven by an independent amplification channel, for a 1 Watt swept sine wave, referenced to 1 meter with no signal processing. 1/6 octave smoothing applied.

Data presented on this spec sheet represents a selection of the basic performance specifications for the model. These specifications are intended to allow the user to perform a fair, straightforward evaluation and comparison with other loudspeaker spec sheets. For a detailed analysis of this loudspeaker's performance, please download the GLL file and/or the CLF file from our website: biamp.com.

CAUTION: Installation of loudspeakers should only be performed by trained and qualified personnel. It is strongly recommended that a licensed and certified professional structural engineer approve the mounting design.