

V2-1296

12-INCH, TWO-WAY, FULL-RANGE
LOUDSPEAKER SYSTEM (90° X 60°)



SPECIFICATIONS

Loudspeaker Type:	Two-way, full-range, trapezoidal, vented bass
Operating Range:	60 Hz to 18 kHz (-10 dB)
Frequency Response:	90 Hz to 16 kHz (± 3 dB)
Max Input Ratings:	200W continuous, 500W program 40 volts RMS, 80 volts momentary peak
Sensitivity (1W/1m):	98 dB (100 Hz to 12.5 kHz) free space
Maximum Output:	121 dB SPL / 127 dB SPL (peak)
Nominal Impedance:	8 ohms
Minimum Impedance:	6.2 ohms @ 160 Hz
Nominal -6dB Beamwidth:	90° H x 60° V (in vertical position)
Crossover Frequency:	1.3 kHz
Recommended Signal Processing:	60 Hz, 24 dB/octave Butterworth high pass filter
Drivers:	LF 1 x 12-inch cone HF 1 x 1-inch
Driver Protection:	DYNA-TECH protection circuitry
Input Connection:	NL4-compatible locking connector with terminal strip in parallel
Controls:	None
Enclosure:	Trapezoidal (22.5° included angle) 18mm, 11-ply cross-laminated birch
Mounting/Rigging Provisions:	13 x M10 threaded rigging fittings 4 x M8 threaded fittings for third-party suspension products
Finish:	Catalyzed polyester two-part paint, black or white
Grille:	Powder coated steel, black or white finish
Required Accessories:	None
Supplied Accessories:	None
Optional Accessories:	VB-Y12 U-shaped yoke bracket VB-VY12 vertical yoke bracket CMKIT ceiling mount kit VB-TILT tilting bracket VB-VST versatilt bracket VFKIT vertical flying kit M10EYBLTKIT 10mm eyebolt kit STKIT seat track kit
Dimensions—Height:	23.9 inches (608 mm)
Width:	15.4 inches (390 mm)
Depth:	14.3 inches (362 mm)
Weight:	38.4 lbs (17.4 kg)
Model Options:	V2-1296B (black finish) V2-1296W (white finish)

NOTES:

- Sensitivity: Free field pink noise measurement at 6ft (1.8m) at 10% power; extrapolated to 1 meter and an input of 2.83 volts RMS.
- Watts: All wattage figures are calculated using the rated nominal impedance.



APPLICATIONS

- Clubs
- Theaters
- Auditoria
- Houses of worship
- AV presentations
- Fitness centers

FEATURES

- Discreet and aesthetic trapezoidal enclosure
- Optimized voicing for full-range reproduction
- DYNA-TECH™ driver protection circuitry
- Ferrofluid-treated HF driver for improved heat dissipation
- Carbon Ring Cone Technology provides 30% more piston area with increased excursion capability in LF driver
- Terminal strip and NL4-compatible connectors
- Multiple bracket options offer affordable arraying solutions
- Included in Community's Forecaster HD ceiling distributed system software
- Available in standard black or white finishes

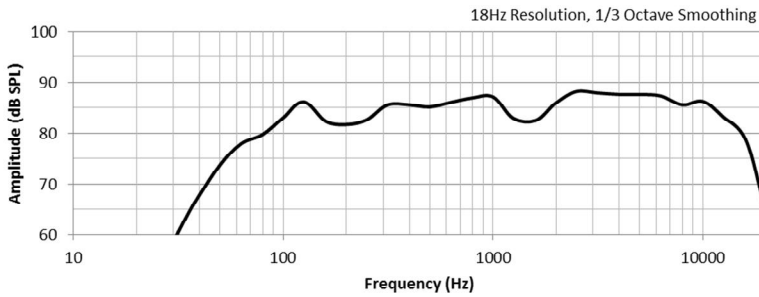
DESCRIPTION

The V2-1296 is a two-way, full-range loudspeaker system suitable for use in a wide spectrum of fixed installations. Compact and extremely powerful, the V2-1296 handles applications ranging from jazz clubs and AV presentations, to rock and roll performances. Its trapezoidal design allows it to be clustered with like units, forming powerful arrays. The 90° x 60° pattern makes the V2-1296 ideal for applications requiring a wide coverage angle, such as in rooms that are wider than they are deep. The enclosure may be suspended from its M10 threaded rigging points using a variety of optional hardware from Community, or it may be installed using a third-party mounting device. The V2-1296 provides extended high frequency response, low distortion output, a tight, punchy bass response, and precise pattern control. Featuring carefully designed crossovers that provide flat acoustic power response through the critical mid-range region, and Community's exclusive DYNA-TECH™ driver protection circuitry, the V2-1296 is a versatile performer for use in music and speech applications that require high quality, high power sound reinforcement at an affordable price.

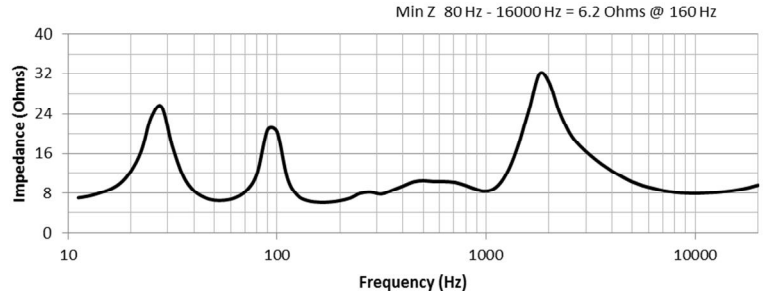
V2-1296 12-INCH, TWO-WAY, FULL-RANGE LOUDSPEAKER SYSTEM (90° X 60°)



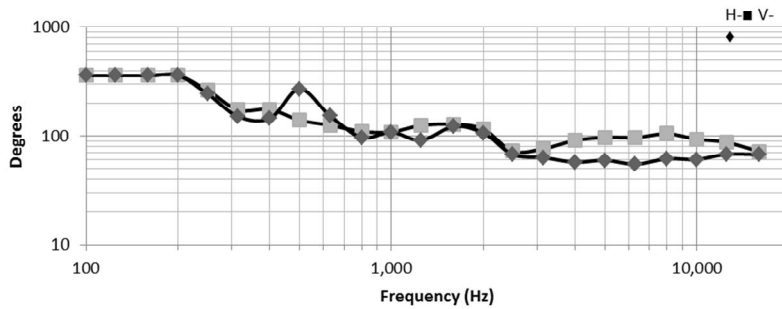
FREQUENCY RESPONSE



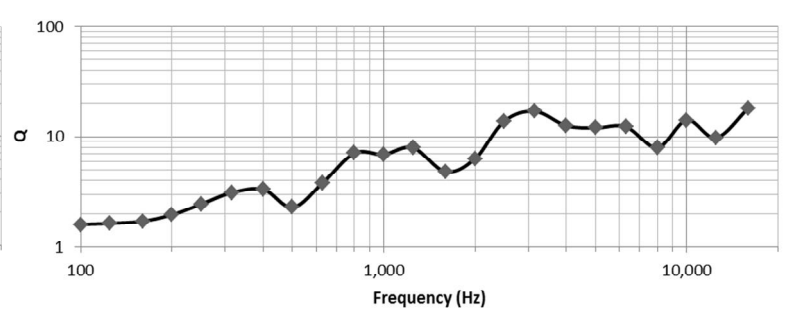
IMPEDANCE



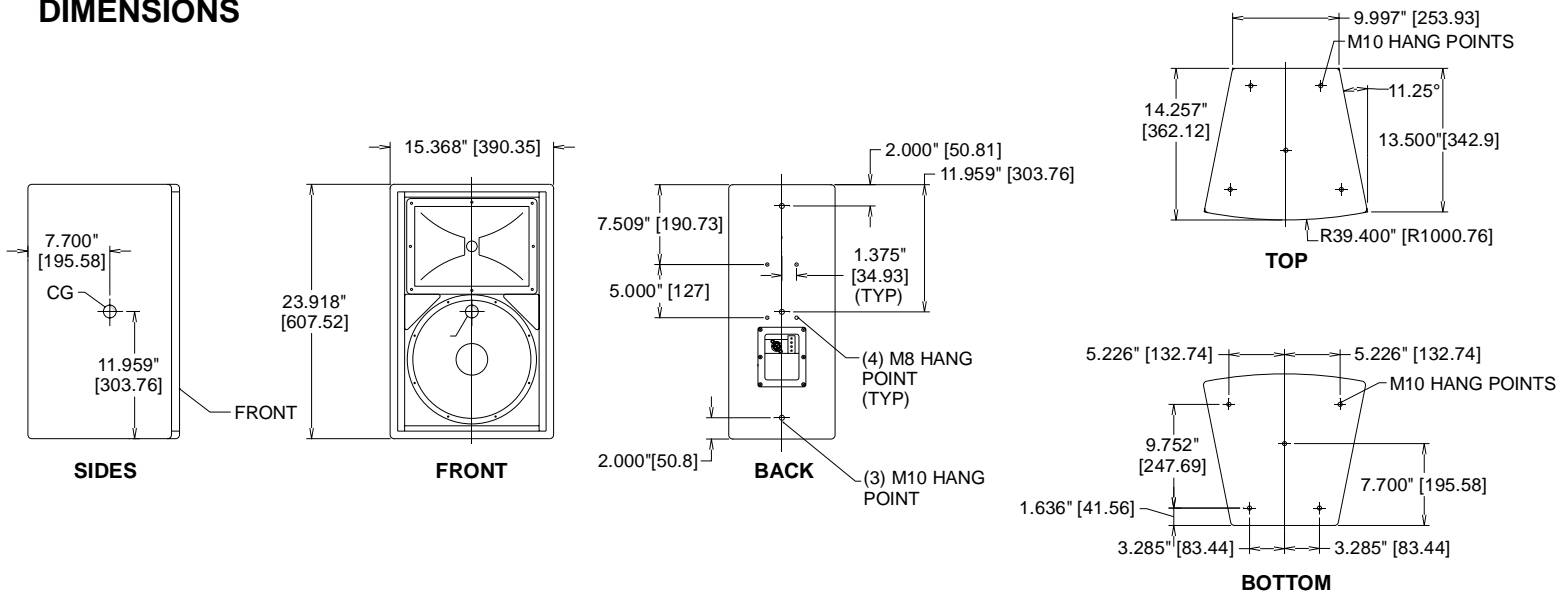
BEAMWIDTH



AXIAL Q



DIMENSIONS



ARCHITECTURAL SPECIFICATIONS

The loudspeaker system shall be a two-way, full-range, trapezoidal vented bass design with one 12-inch low frequency cone driver and one 1-inch HF driver mounted to a 90° H x 60° V horn. There shall be an NL4-compatible locking connector with terminal strip in parallel. The loudspeaker enclosure shall be constructed of 18mm, 11-ply cross laminated birch with a perforated steel grille and shall be fitted with thirteen M10 flying/rigging inserts. The system shall have an amplitude response of 60 Hz to 18 kHz (-10 dB) and input capability of 40V RMS. The sensitivity at 1W/1m shall be 98 dB (100 Hz to 12.5 kHz). The nominal dispersion shall be 90° H x 60° V in vertical orientation. The loudspeaker dimensions shall be 23.9 in. (608 mm) H x 15.4 in. (390 mm) W (front) x 10 in. (254 mm) W (rear) X 14.3 in. (362 mm) D. The loudspeaker system shall weigh 38.4 lbs (17.4 kg).

Community strives to improve its products on a continual basis. Specifications are therefore subject to change without notice.