



## FEATURES

- High intelligibility with exceptional uniform coverage
- Consistent, wide dispersion up to 16 kHz
- True coaxial loudspeakers with HF compression drivers
- Tru-Phase™ high-frequency waveguide
- Patented Carbon Ring Cone Technology™
- Spring loaded Drop-Stop™ installation assistant tabs support the back can on the included rails and C-ring to simplify installation
- Uniquely designed tile bridge support rails and snap-on C-ring support plates prevent sag
- Twist-Assist™ loudspeaker face retainer tabs for fast and easy installation
- ¾-inch and 1-inch knock-outs on the sides of the back can
- External loop-through Euroblock connectors
- Rear cover with integrated cable clamp (strain relief) and optional conduit knockout
- Selectable 8 ohm or 70V/100V operation
- Five year warranty

## APPLICATIONS

- Convention centers, exhibit halls
- Corporate training rooms, ballrooms
- Athletic venues, sports facilities, health clubs
- Houses of worship
- Malls, airports

The D SERIES **D8** rewrites the cost-to-performance equation for high-end ceiling loudspeakers. Able to fulfill a wide variety of needs, the D8 exceeds the performance of competing “high-ceiling” models. Foreground music, high-level paging, and augmentation of large music systems as a delay or fill speaker in ancillary zones are all within the capability of this versatile performer.

The D8 can readily be combined with other members of the D SERIES family due to Community's exclusive uniform voicing technology. Genuine coaxial design uses separate magnets for the LF and HF drivers for reduced distortion and industry-leading sensitivity, permitting 3 dB to 6 dB greater output level while requiring half the amplification power of competing products.

The proprietary **Tru-Phase™** waveguide and perfectly centered driver produce a consistently wide conical polar response up to 16 kHz. Community's patented **Carbon Ring Cone Technology™** increases the effective cone area to further reduce distortion while reinforcing the cone for improved durability.

Exclusive **Drop-Stop™** and **Twist-Assist™** tabs allow single-handed placement to speed installation and reduce labor time. Drop-Stop's spring-loaded legs support the back can on the included tile rails and snap-on C-ring, so that the installer no longer needs to hold the can against the tile while tightening the clamps. Twist-Assist performs a similar function for the baffle assembly: when the loudspeaker back cans are pre-installed into a conduit system for termination at a later date, a simple twist of the baffle into the back can brings the Twist-Assist clips together, supporting the baffle assembly while the installer fastens the screws.

The front-face wattage selector switch enables quick adjustment of 70V/100V tap levels. A variety of installation accessories are available to accommodate different ceiling materials.



# D SERIES

# D8

## TWO-WAY 8-INCH HIGH OUTPUT CEILING MOUNT LOUDSPEAKER



### SPECIFICATIONS

<b>Loudspeaker Type:</b>	Two-way, full-range, coaxial ceiling loudspeaker, 8 ohm or 70V/100V operation	
<b>Operating Range:</b>	60 Hz - 22 kHz	
<b>Frequency Response:</b>	80 Hz - 20 kHz (±5 dB)	
<b>Max Input Ratings (8 ohm):</b>	150W continuous, 375W program 35 volts RMS, 77 volts momentary peak	
<b>Transformer Taps—70V:</b>	120W, 60W, 30W, 15W and low impedance	
<b>100V:</b>	120W, 60W, 30W	
<b>Distortion—10% Full Power:</b>	2nd Harmonic	3rd Harmonic
500 Hz	1.28%	1.14%
2 kHz	0.45%	0.23%
8 kHz	2.52%	0.02%
<b>1% Full Power:</b>	2nd Harmonic	3rd Harmonic
500 Hz	0.09%	0.55%
2 kHz	0.09%	0.11%
8 kHz	0.71%	0.02%
<b>Sensitivity (1W/1m):</b>	95 dB SPL (120 Hz to 12.5 kHz 1/3 octave bands) 94 dB SPL (250 Hz to 4 kHz speech range)	
<b>Maximum Output:</b>	117 dB SPL / 123 dB SPL (peak 8 ohm)	
<b>Nominal Impedance:</b>	8 ohms	
<b>Minimum Impedance:</b>	6.7 ohms @ 220 Hz	
<b>Nominal Coverage:</b>	100° conical (1 kHz to 6 kHz) 115° conical (500 Hz to 6 kHz)	
<b>Axial Q / DI:</b>	5.7 / 7.6, 500 Hz to 6 kHz	
<b>Crossover Frequency:</b>	1.3 kHz	
<b>Recommended Signal Processing:</b>	60 Hz high pass filter	
<b>Drivers:</b>	LF 1 x 8-inch HF 1 x 1.25-inch exit compression driver	
<b>Driver Protection:</b>	Self-resetting solid state circuit breaker	
<b>Input Connection:</b>	4-position Euroblock connector	
<b>Controls:</b>	Front-face wattage / low impedance selector switch	
<b>Enclosure:</b>	Corrosion-resistant zinc plated steel	
<b>Mounting/Rigging Provisions:</b>	4 steel mounting clamps with 3-inch grip range	
<b>Grille:</b>	Powder coated steel with safety line, white finish, paintable	
<b>Baffle:</b>	Reflex loaded UL 94V-0 rated ABS	
<b>Safety Features:</b>	4 x safety hang points	
<b>Safety Agency Ratings:</b>	ETL listed to comply with UL1480, UL2043 and CSA60065. Suitable for use in air handling spaces per NFPA 70 and NFPA 90. Conforms with City of Chicago Codes.	
<b>Required Accessories:</b>	Electronic high pass filter	
<b>Supplied Accessories:</b>	C-Ring supporting plate, tile support bridge rails, grille, paint mask, cut-out template, flat screwdriver	
<b>Optional Accessories:</b>	<b>D8-NCB</b> New Construction Bracket <b>D-RAIL48-PR</b> Pair of 48" Channel Rails	
<b>Dimensions—Width:</b>	13.209 inches (335.5 mm) bezel diameter	
<b>Depth:</b>	8.166 inches (207.4 mm) can depth	
<b>Cutout Diameter:</b>	12.25 inches (311 mm)	
<b>Weight:</b>	16.4 lbs (7.4 kg)	

#### NOTES:

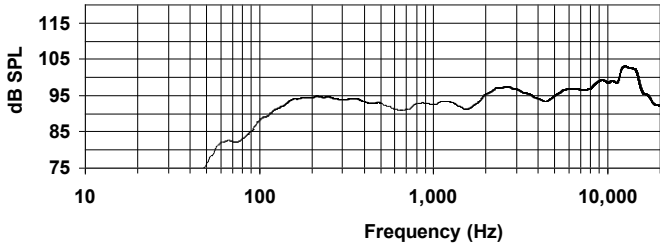
1. Sensitivity: Half space pink noise measurement at 6 ft (1.8 m) at 20% power; extrapolated to 1 meter and an input of 2.83 volts RMS.
2. Watts: All wattage figures are calculated using the rated nominal impedance.
3. Frequency response and sensitivity are half-space measurements.

# D SERIES

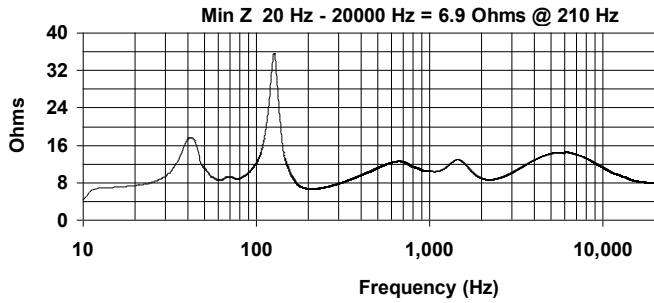
# D8

TWO-WAY 8-INCH HIGH OUTPUT  
CEILING MOUNT LOUDSPEAKER

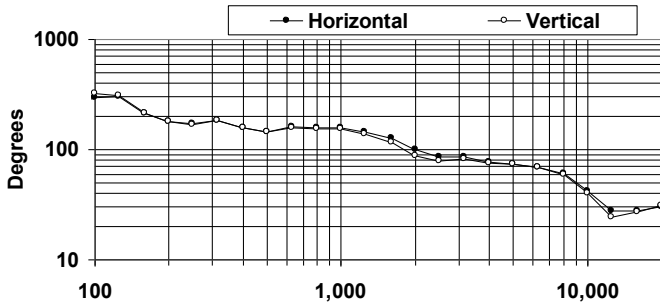
## FREQUENCY RESPONSE



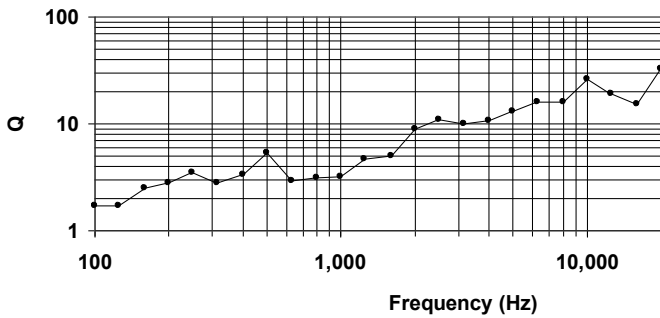
## IMPEDANCE



## BEAMWIDTH

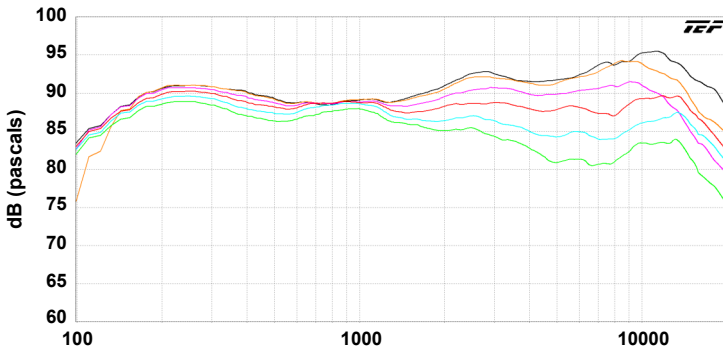


## AXIAL Q

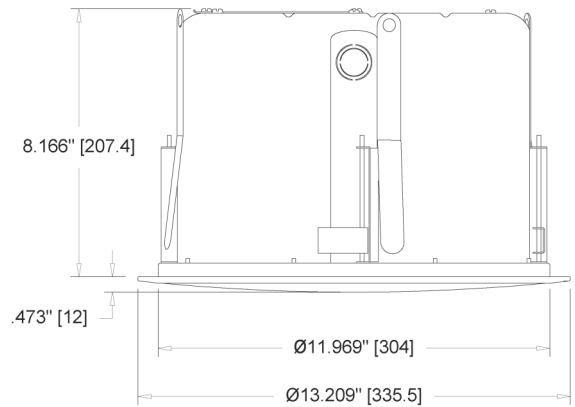
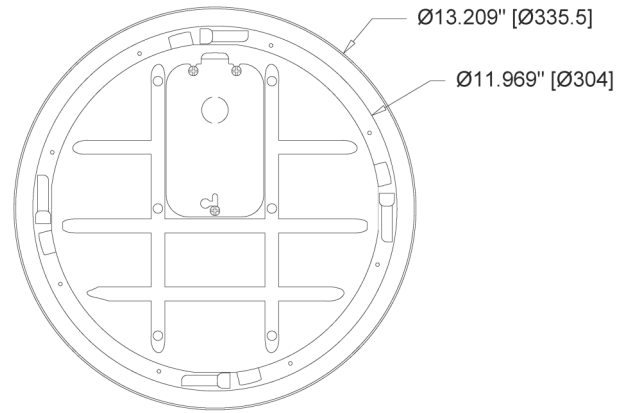
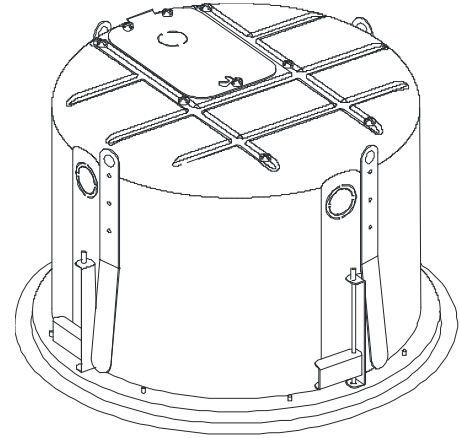


## DISPERSION DEVIATION

0°, 10°, 20°, 30°, 40°, 50° OFF-AXIS



## DIMENSIONAL DRAWINGS

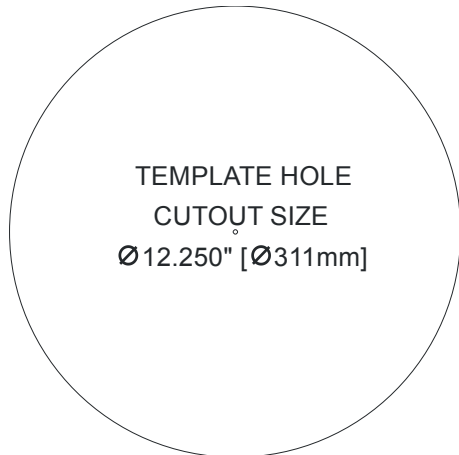
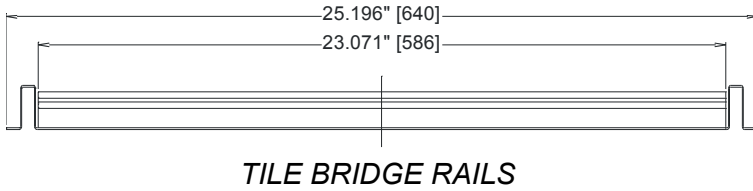
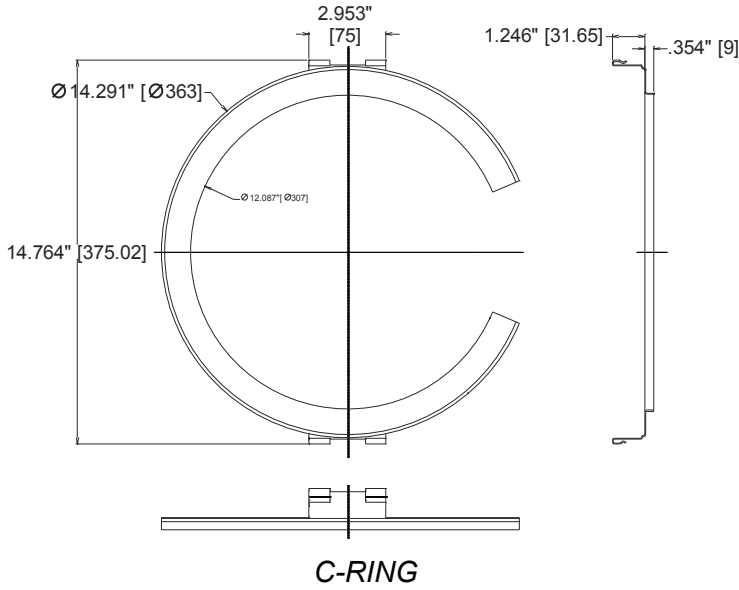


# D SERIES

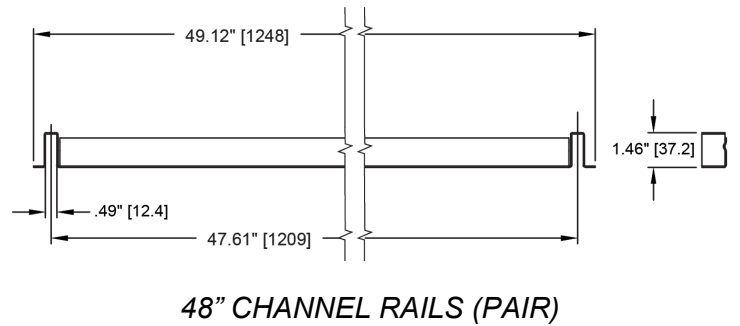
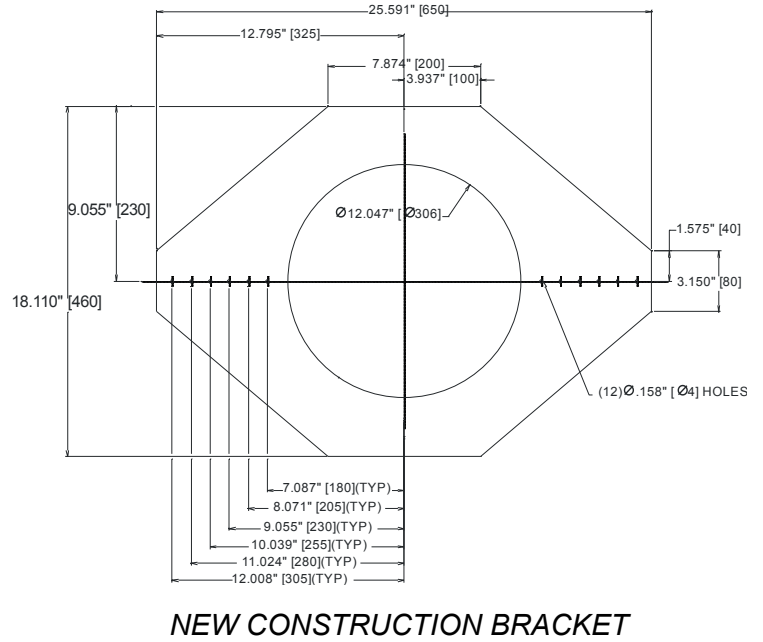
# D8

TWO-WAY 8-INCH HIGH OUTPUT  
CEILING MOUNT LOUDSPEAKER

## INCLUDED ACCESSORIES



## OPTIONAL ACCESSORIES





## ARCHITECTURAL SPECIFICATIONS

The loudspeaker system shall be a two-way, full-range ceiling mount system with an 8-inch low frequency transducer with patented Carbon Ring Cone Technology™ and a coaxially mounted 1.25-inch exit high frequency compression driver. The drivers shall be connected to an integral crossover with a crossover frequency of 1.3 kHz, with a self-resetting solid state circuit breaker for driver protection. The paintable loudspeaker baffle shall be constructed of UL 94V-0 rated ABS material and include Twist-Assist™ face retainer tabs for easy insertion into the back cans. A paintable steel grille with a durable white powder coat finish shall be included.

The back can provided with the ceiling loudspeaker system, shall be constructed of corrosion-resistant zinc plated steel featuring spring loaded Drop-Stop™ installation assistant tabs. The back can shall include a recessed termination box with a removable locking connector with screw terminals for secure wire termination with "loop through" ability. Strain relief will be provided by a clamping mechanism for use with plenum rated cable or conduit.

The system shall have an amplitude response of 80 Hz to 20 kHz (+/- 5dB) and a low impedance (8 ohm) input capability of 35V RMS. The sensitivity at 1W/1m shall be 95 dB (120 Hz to 12.5 kHz, 1/3 octave bands). The loudspeaker system shall have a conical coverage pattern of 115 degrees from 500 Hz to 6 kHz. The nominal system impedance shall be 8 ohms (in low impedance setting).

The system shall be equipped with a 120W high performance autoformer for use in 70.7V or 100V distributed audio systems, with 120W, 60W, 30W and 15W taps available in 70.7V distributed systems (120W, 60W and 30W taps available in 100V distributed systems). An easily accessible front-face tap selector switch located on the front baffle, which is concealed by the supplied removable grille, shall be available for selecting autoformer and low impedance settings.

A snap-on C-Ring supporting plate and two tile support bridge rails shall be included. The loudspeaker system shall have a bezel diameter of 13.209 inches (335.5 mm), a can depth of 8.166 inches (207.4 mm) and weigh 16.4 lbs (7.4 kg). There shall be available an optional New Construction Bracket for installing the loudspeaker system in new construction before drywall or plaster is put into place. An optional pair of 48" (1219mm) channel rails shall also be available to mount the loudspeaker in larger ceiling grids.

The system shall be ETL listed to comply with UL1480, UL2043 and CSA60065 and suitable for use in air handling spaces per NFPA70 and NFPA90.