

DATA SHEET

BIAMP UCC-LENOVO TSC-IP FOR MICROSOFT TEAMS ROOMS



The Biamp UCC-Lenovo TSC-IP enhances collaboration in meeting rooms of all sizes. It seamlessly pairs with Parlé Conferencing bars for improved audio and video performance in Huddle, Small and Medium rooms. Integration with Tesira and Devio Room bundles enables exceptional audio quality and advanced conferencing capabilities in larger spaces.

The UC Compute is certified and pre-loaded with Microsoft Teams Rooms. A Biamp plug-in is available to enable room control using the ThinkSmart controller in the native Teams interface. This enhances the conference room experience and enables seamless integration with Biamp Impera room control systems for advanced control capabilities.

Installation and deployment of room systems are streamlined with setup guides and configuration checklists found on the Biamp Cornerstone website. This comprehensive resource, along with exceptional support, enables quick setup and turnover of complete room systems.

Elevate your meeting room collaboration with the Biamp UCC-Lenovo TSC-IP—the perfect UC compute solution for seamless integration with Biamp conferencing bars and bundles. Experience the power of smarter technology in any meeting space.

THINKSMART CORE KEY FEATURES

- Pre-loaded with Microsoft Teams Rooms
- 11th Gen Intel® Core™ vPro® i5 processor
- Windows® 11 IoT Enterprise GAC 64
- Integrated cable management and VESA mounts

THINKSMART IP CONTROLLER KEY FEATURES

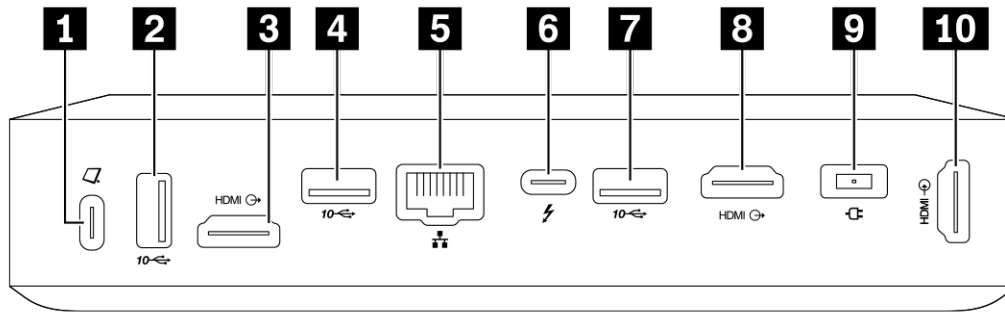
- 10.1" screen size (1280 x 800 resolution)
- HDMI-in port allows screen sharing
- IR Sensors detect presence and turn the system on/off
- Powered via RJ-45 Ethernet cable from Link Box

ARCHITECTS & ENGINEERS SPECIFICATION

The UCC-Lenovo TSC-IP shall be supplied to support Microsoft Teams Rooms. The UCC-Lenovo TSC-IP shall consist of a computing device ("UC Compute"), an Ethernet interface touch panel ("UC IP Controller"), and an interface connector box ("Link Box"). The UC Compute shall have an Intel® i5-1145G7E microprocessor and 16GB of memory, configured with Microsoft Windows 11 IoT Enterprise GAC as the operating system and be pre-loaded with Microsoft Teams Rooms software. The UC Compute shall have mass storage of 256GB SSD. The UC Compute shall have connectivity via 802.11ax WiFi, Wi-Fi 6 AX201 and also Bluetooth® Low Energy (LE) 5.0. The UC Compute shall have the following ports: 1x Thunderbolt™ 4; 1x USB-C 3.2 Gen 1; 1x USB 3.2 Gen 1; 2x USB 3.2 Gen 2; 2x HDMI-out 1.4; 1x HDMI-in; 1x RJ-45 Ethernet; 1x power connector. The UC Compute shall be certified for Microsoft Teams Rooms. The UC IP Controller shall have a display with diagonal size 10.1" and support 1280x800 resolution at a 16:10 aspect ratio. The UC IP Controller shall have a display that is touch sensitive and be capable of 10-point multi-touch. The UC IP Controller shall have the following ports: 1x RJ-45 Gigabit Ethernet; 1x HDMI-in. The Link Box shall have the following ports: 1x RJ-45 Gigabit Ethernet; 1x HDMI-out; 1x USB-B; 1x Power Connector. The UC Compute, UC IP Controller, and the Link Box shall be CE marked, UL/cUL listed and shall be compliant with the RoHS directive. Warranty shall be 3 years. The UC Compute, UC IP Controller, and Link Box shall be UCC-Lenovo TSC-IP-MTR.

UC COMPUTE AND CONTROLLER SPECIFICATIONS

UC Compute:		UC Controller:	
Processor:	11th Gen Intel®Core™ vPro® i5-1145G7E	Display:	10.1" (1280 x 800), 16:10 aspect ratio Anti-Fingerprint; <360 nits
Operating System:	Windows® 11 IoT Enterprise GAC 64	Multi-touch:	Supports 10-point touch
Memory:	16BG DDR4-3200, dual-channel	Sensors:	IR sensors for motion detection
Storage:	256GB M.2 SSD	Ports:	1x RJ-45 Gigabit Ethernet 1x HDMI-in 1x Power Connector (on Link Box) 1x RJ-45 Gigabit Ethernet (on Link Box) 1x HDMI-out (on Link Box) 1x USB-B (on Link Box)
Ports:	2x USB 3.2 Gen 2 1x USB-C 3.2 Gen 1 1x USB 3.2 Gen 1 1x Thunderbolt™ 4 2x HDMI-out 1x HDMI-in 1x RJ-45 Ethernet 1x Power connector	Dimensions:	
WLAN:	802.11ax wireless	IP Controller	
Bluetooth:	Bluetooth 5.0	Width:	9.9 inches (251.5 mm)
Ethernet:	Gigabit ethernet	Height:	3.9 inches (99 mm)
Manageability:	Intel Active Management Technology 15.0	Depth:	6.3 inches (160 mm)
Security Features:	Kensington Security Slot	Weight:	3.42 lb (1.55 kg)
Power Supply:	90 watts adapter, 100-240V autosensing	Link Box	
Mounting:	VESA Mount Kit	Width:	8.27 inches (210 mm)
Dimensions:		Height:	1.06 inches (27 mm)
Width:	8.9 inches (226 mm)	Depth:	3.78 inches (96 mm)
Height:	1.5 inches (37.5 mm)	Weight:	0.46 lb (212 g)
Depth:	7.9 inches (200 mm)	Compliance (UC Compute and Controller):	
Weight:	2.4 lb (1.1 kg)		FCC Part 15B (USA) CE marked (Europe) UKCA (Great Britan) UL and cUL listed (USA & Canada)



PORTS

1. USB-C 3.2 Gen 1
2. USB-A 3.2 Gen 1
3. HDMI-out
4. USB-A 3.2 Gen 2
5. RJ-45 Ethernet
6. Thunderbolt™ 4
7. USB-A 3.2 Gen 2
8. HDMI-out
9. Power in
10. HDMI-in

Biamp strives to improve its products on a continual basis. Specifications are therefore subject to change without notice.

Biamp is a trademark or registered trademark of Biamp Systems, LLC in the United States and other countries. Other product names referenced may be trademarks or registered marks of their respective owners and Biamp Systems is not affiliated with or sponsored by these companies.



✉ biampinfo@biamp.com

☎ +1 503 641 7287

🌐 www.biamp.com