



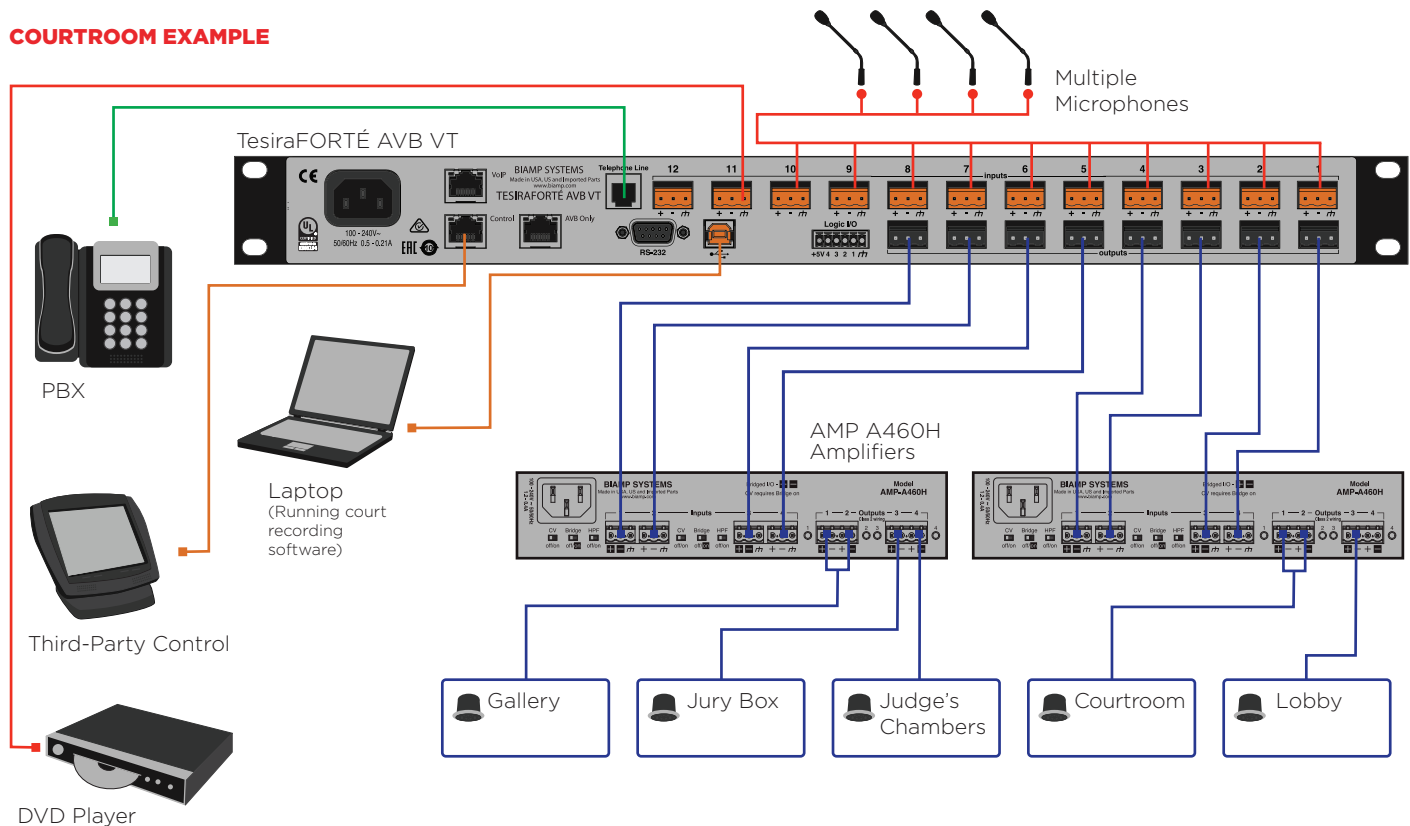
# SYSTEM DESIGN GUIDE COURTROOM

## TesiraFORTÉ® AVB VT



In order to do their jobs effectively, legal professionals come to rely on the accuracy, clarity, and dependability of courtroom recordings. With the TesiraFORTÉ® AVB VT, you can reliably manage the audio for all courtroom proceedings, including the levels of speakers and microphones, recording, remote arraignment, and audio playback of such media as DVDs, MP3 players, recorders, or other devices. The TesiraFORTÉ AVB VT also allows courtrooms to upgrade their facilities to AVB at any time in the future, and provides the ability to network other courtrooms and share audio between them.

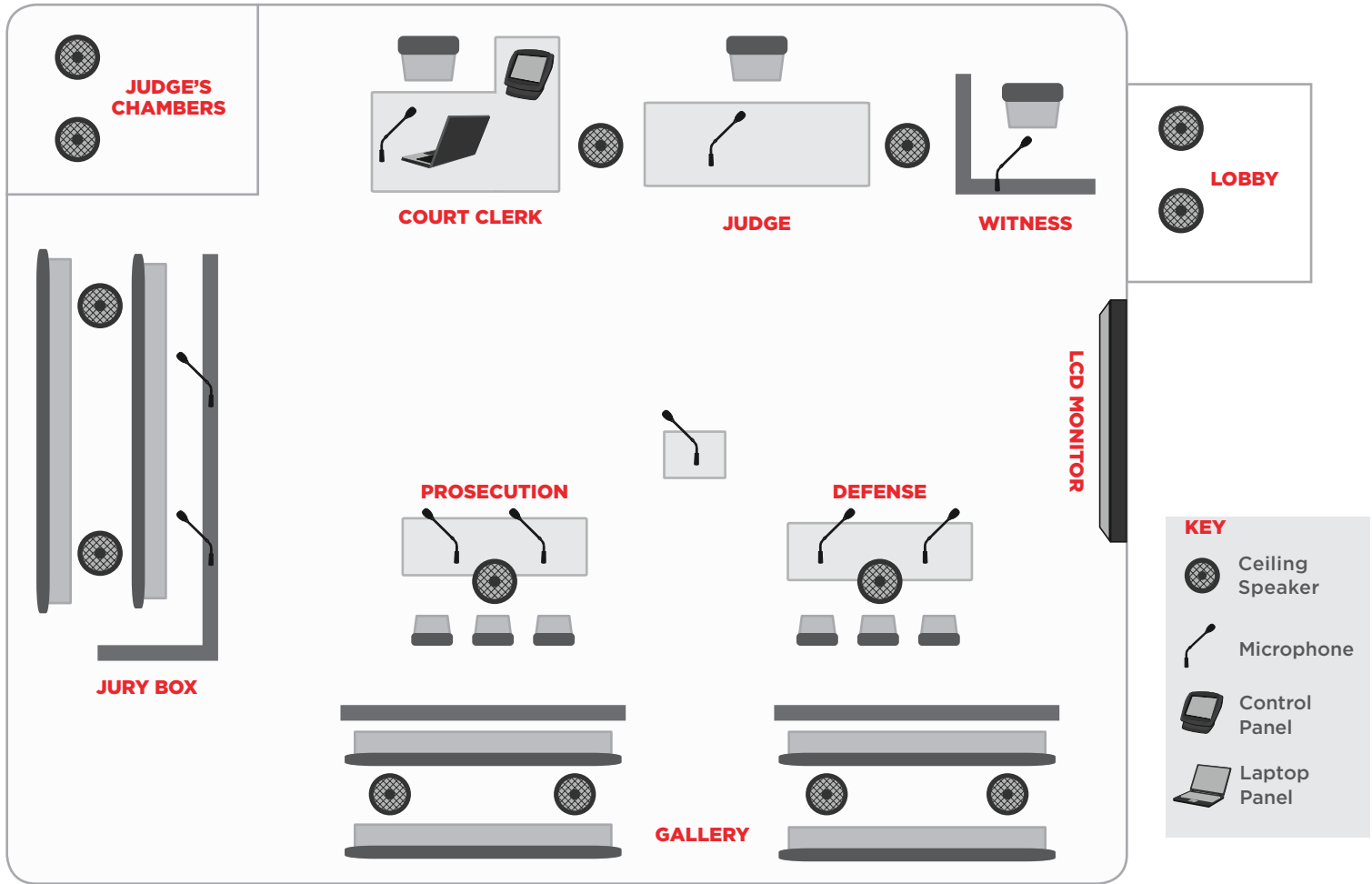
### COURTROOM EXAMPLE



### FEATURES/BENEFITS

- Configurable USB audio provides direct connection to courtroom recording technologies
- Professional digital audio processing for high-quality sound reinforcement and recording
- POTS telephone interface allows remote participation and testimony
- Acoustic Echo Cancellation (AEC) for clear distance conferencing without echo or feedback

# COURTROOM FLOOR PLAN



## EQUIPMENT LIST

Quantity	Product	Function
1	TesiraFORTÉ AVB VT	Powerful DSP providing professional, clear audio processing. Enables you to connect to an analog telephone line to allow remote testimony.
1	Windows PC	Connected to TesiraFORTÉ via USB port to allow digital court recording of all proceedings with third-party software.
2	AMP-A460H amplifiers	Provides amplification to all speakers in each zone of the courtroom, as well as to the speakers in the lobby and judge's chambers.
1	DVD player	Allows for playback of DVDs as evidence in proceedings.
1	Presentation monitor	Allows for video playback in courtroom proceedings.
10	Microphones	Microphones for each key section of the courtroom.
1	Third-party touch screen control panel	Gives complete control of all aspects of audio and video in the courtroom in one user-friendly interface.
14	Ceiling speakers	Provides sound reinforcement for all court proceedings and audio/video playback.