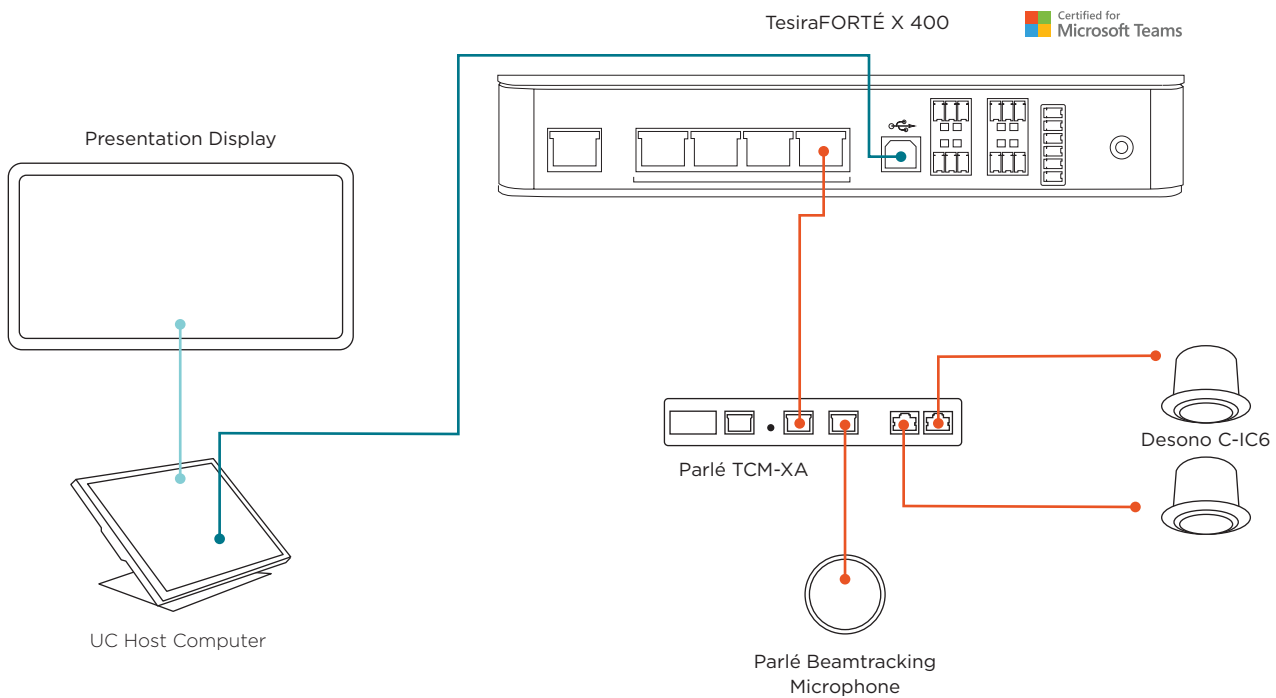


SYSTEM DESIGN GUIDE

MEDIUM CONFERENCE ROOM



Tesira™ is an ideal platform for conference rooms of all sizes. Only standard Ethernet cables are needed to connect a TesiraFORTÉ™ DSP to our Parlé TCM-X Beamtracking™ microphones and other conference room components for an exceptional conferencing experience. The peripherals are PoE+ powered, and can therefore be driven easily directly from the TesiraFORTÉ.



FEATURES/BENEFITS

- Four 90° zones can simultaneously identify and steer towards talkers, allowing participants to move freely around a space
- TesiraFORTÉ X 400 provides USB connectivity to any soft codec host and is certified for use with Microsoft Teams.
- Audio levels remain consistent as a result of Tesira's best in class AGC processing—whether the talker is facing towards or away from our microphone.
- TesiraFORTÉ is trusted around the world to provide the best possible audio processing platform.

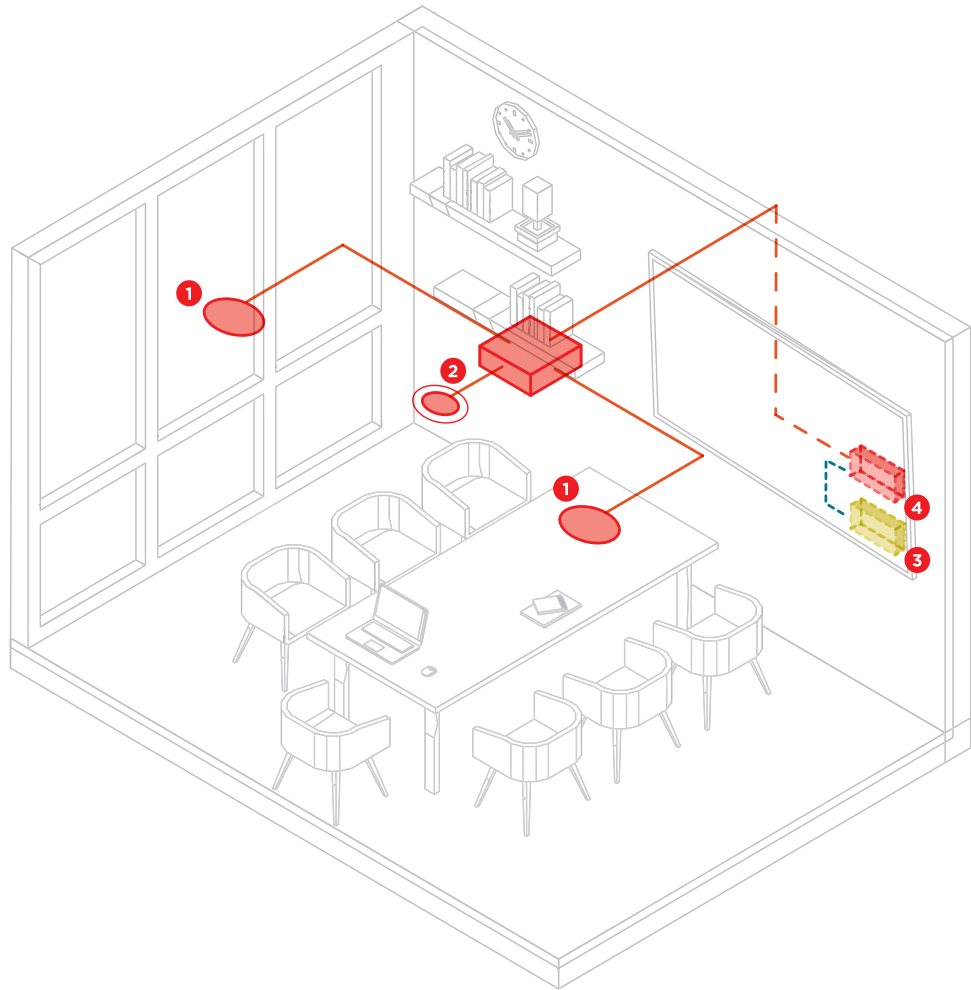
MEDIUM CONFERENCE ROOM FLOOR PLAN

KEY

- 1 DESONO C-IC6
- 2 PARLÉ TCM-XA
- 3 UC HOST COMPUTER
- 4 TESIRAFORTÉ X 400

LEGEND

- CATEGORY CABLE
- USB



EQUIPMENT LIST

QUANTITY	PRODUCT	FUNCTION
1	TesiraFORTÉ X 400	Powerful DSP with USB audio, featuring 4 channels of AEC.
1	UC Host Device	Connected to TesiraFORTÉ via USB port, customers can take full advantage of microphones and speakers in the room as part of their UC calls. Also supports mute-sync across most common UC platforms.
1	TCM-XA Beamtracking Microphone	Actively tracks and intelligently mixes conversations from around the table. The built-in 2-channel PoE+ amplifier provides amplification to the ceiling speakers.
1	Presentation Monitor	Allows all meeting participants to view a presentation or valuable data being shared in the meeting.
2	Desono C-IC6 Loudspeaker	Provides sound reinforcement for distance conferencing and/or video conferencing.