

# BIAMP + CISCO SYSTEM DESIGN GUIDE



## LARGE CONFERENCE ROOM WITH CEILING MICS

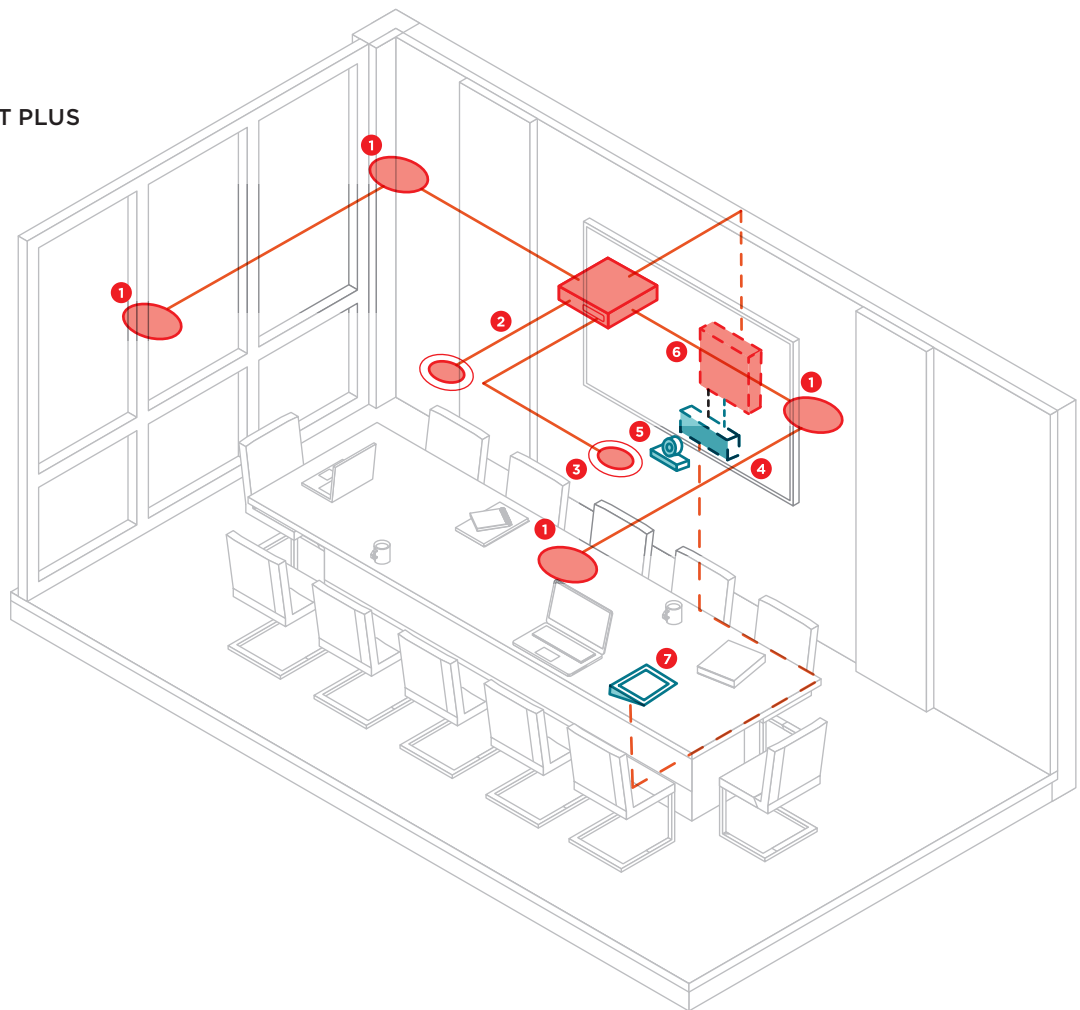
When Cisco's Webex video and collaboration solutions are combined with Biamp's legendary audio expertise, the results truly are extraordinary. Build your collaboration experiences from best-in-class solutions that have been carefully tested for seamless compatibility. With Biamp and Cisco you can be confident that your meetings will never sound or look better.

### KEY

- 1 DESONO C-IC6
- 2 PARLÉ TCM-XA
- 3 PARLÉ TCM-XEX
- 4 CISCO WEBEX ROOM KIT PLUS
- 5 CISCO P60 CAMERA
- 6 TESIRAFORTÉ X 400
- 7 CISCO TOUCH 10 CONTROL UNIT

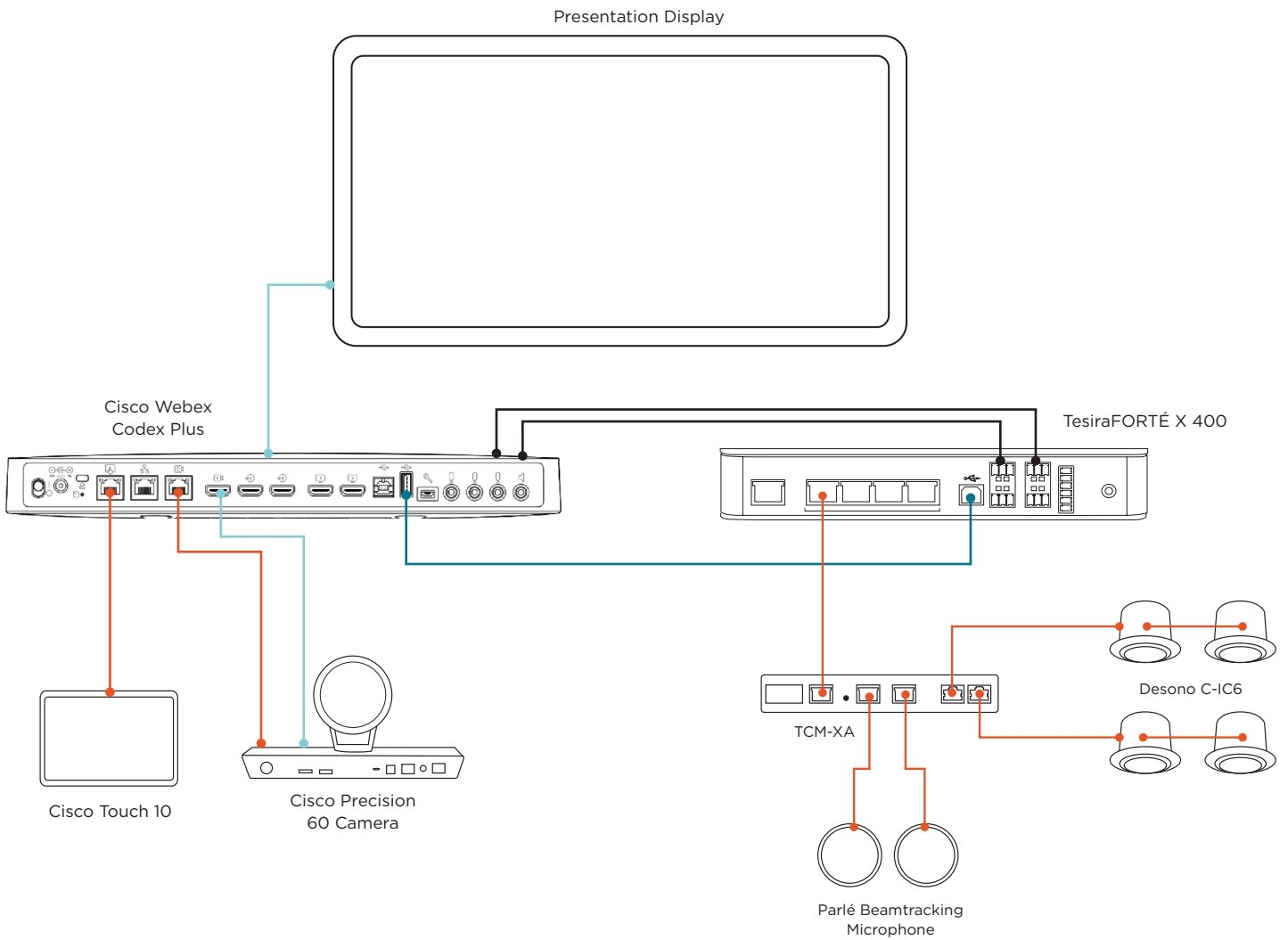
### LEGEND

- CATEGORY CABLE
- USB
- HDMI
- ANALOG AUDIO



### FEATURES/BENEFITS

- A Parlé microphone's four 90' zones can simultaneously identify and steer towards talkers, allowing participants to move freely around a space.
- Biamp's Room Bundles include all the audio equipment and cabling needed to deliver extraordinary meetings every single time. Supporting this are tools and software to minimize deployment time and enhance consistency of tuning.
- This equipment combination from Cisco and Biamp is fully tested by Biamp, guaranteeing extraordinary meeting experiences every time.
- Biamp's digital signal processors are trusted around the world to provide the best possible audio processing platform. The TesiraForte X 400 packs all the power needed to handle any acoustic challenge.



## EQUIPMENT LIST

QUANTITY	PRODUCT	FUNCTION
1	Biamp LRB-M-X400-C	Certified Large Room Bundle with white ceiling microphones. Included Equipment: (1) TesiraFORTE X 400 (1) Parlé TCM-XA White (1) Parlé TCM-XEX White (4) Desono C-IC6 White (1) BPAK (1) 25' (7.5 M) Plenum Cat 5e Cable (7) 10' (3 M) Plenum Cat 5e Cable
1	Cisco Webex Codex Plus	Webex endpoint incorporating camera and connection points for peripheral devices.
1	Cisco Touch 10	Touch controller for UC room system software.
1	Cisco Precision 60 Camera	Premium PTZ camera with Ultra-HD imaging system and automatic camera control.