

BIAMP + HP SYSTEM DESIGN GUIDE MEDIUM CONFERENCE ROOM WITH TABLE MICS

biamp.

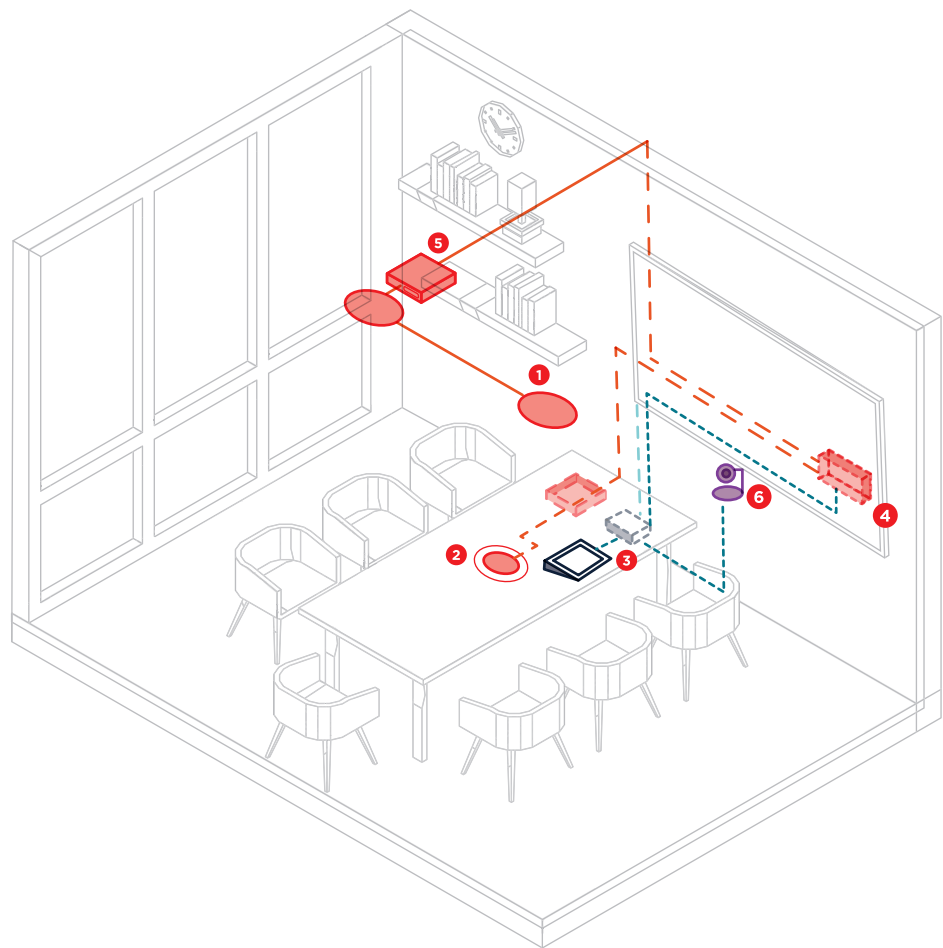
When HP's video and collaboration solutions are combined with Biamp's legendary audio expertise, the results truly are extraordinary. Build your collaboration experiences from best-in-class solutions that have been carefully tested for seamless compatibility. With Biamp and HP you can be confident that your meetings will never sound or look better.

KEY

- 1 DESONO C-IC6
- 2 PARLÉ TTM-X
- 3 HP ELITE SLICE G2 AUDIO READY
- 4 TESIRAFORTÉ X 400
- 5 TESIRA AMP-450BP
- 6 LOGITECH RALLY CAMERA

LEGEND

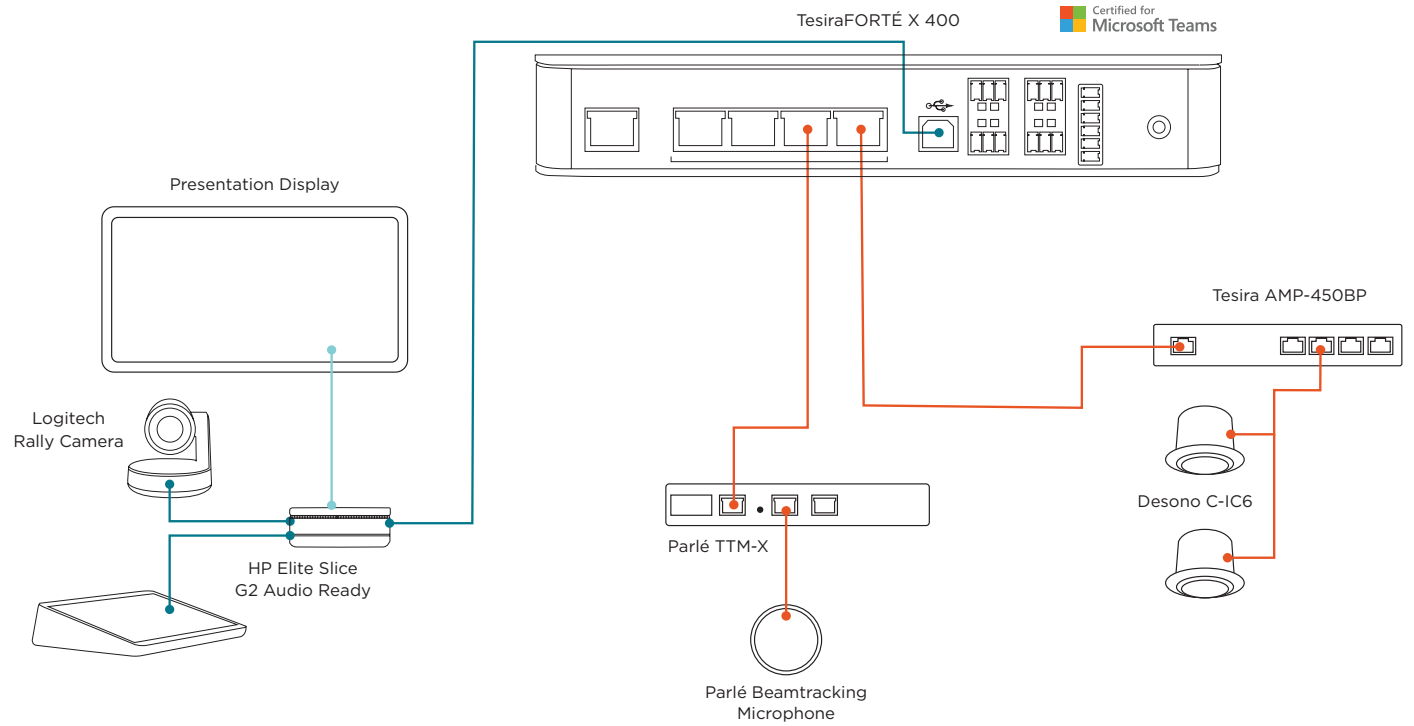
- CATEGORY CABLE
- HDMI
- USB



FEATURES/BENEFITS

- A Parlé microphone's four 90° zones can simultaneously identify and steer towards talkers, allowing participants to move freely around a space.
- Biamp's Meeting Room Bundles include all the audio equipment and cabling needed to deliver extraordinary meetings every single time. Supporting this are tools and software to minimize deployment time and enhance consistency of tuning.
- This equipment combination from HP and Biamp is fully tested and approved by both parties, guaranteeing extraordinary meeting experiences no matter your choice of UC platform.
- Biamp's digital signal processors are trusted around the world to provide the best possible audio processing platform. The TesiraFORTÉ X 400 packs all the power needed to handle any acoustic challenge.





EQUIPMENT LIST

QUANTITY	PRODUCT	FUNCTION
1	Biamp MRB-M-X400-T	Medium Room Bundle with black table microphone. Included Equipment: (1) TesiraFORTÉ X 400 (1) Parlé TTM-X Table Microphone (2) Desono C-IC6 Ceiling Loudspeakers (1) Tesira AMP-450BP Speaker Mounted Amplifier (2) 25' (7.5m) Plenum Cat 5e Cable (3) 10' (3m) Plenum Cat 5e Cable (1) Room Deployment Instructions
1	Logitech Rally Camera	Premium PTZ camera with Ultra-HD imaging system and automatic camera control.
1	HP Elite Slice G2 Audio Ready	Host and touch controller for UC room system software.
1	Logitech Tap	Touch controller for UC room system software.