

Apprimo Touch 8i Control Panel Installation and Operation Guide



shown on the attached Table Mount

PRODUCT DESCRIPTION

The Apprimo Touch 8i is an 8" control panel for any room that requires a more complex level of control, while still being a stylish and discreet interface that fits in any type of interior design.

FEATURES

- 8" capacitive touch LCD interface
- Scratch-resistant glass
- Display brightness can adjust automatically to the ambient light level
- Customizable user interface to fit customers' control requirements and corporate identity
- PoE powered (IEEE 802.3at Class 3, 15W) for simple, single CAT5e/CAT6 cable installation

CONTENTS

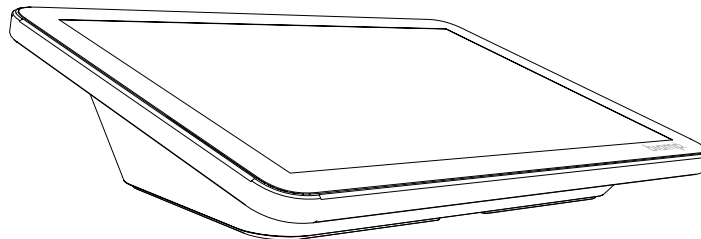
Apprimo Touch 8i
(with table mount attached)

Reset Pin

3 m (10 ft) Cat5 cable



Reset Pin



Touch 8 control panel with attached Table Mount

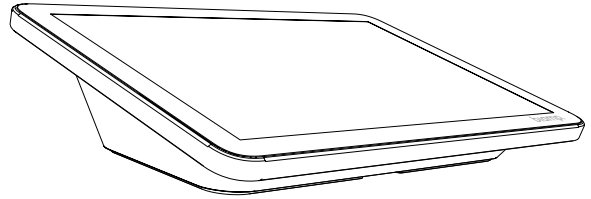


Cat5 Cable

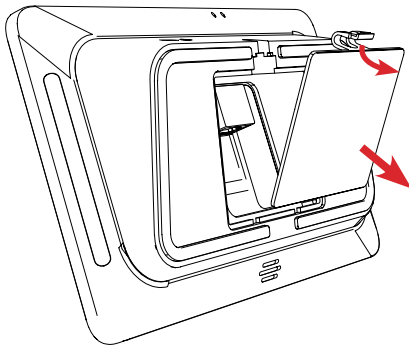
PRODUCT INSTALLATION

Table Installation

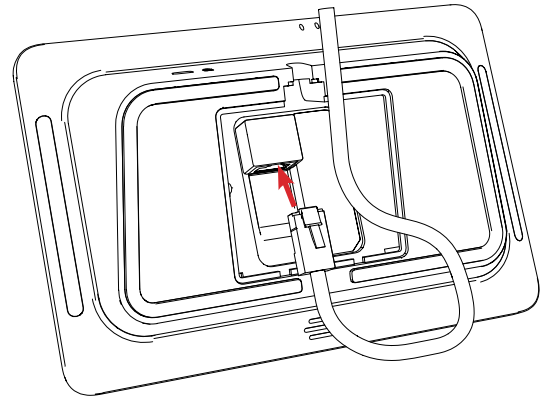
1. Remove cover from the bottom of the table mount.
2. Insert network cable into port on the back of the control panel.
3. Reattach the cover routing the cable through the notch in the latch and stand.
4. Follow on-screen prompts to complete the installation.



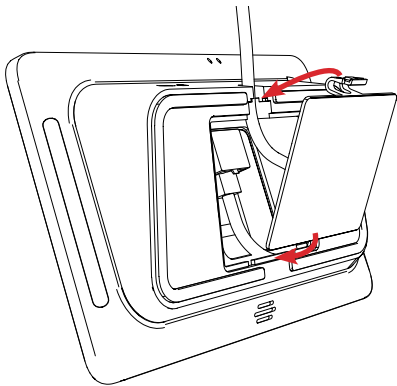
1



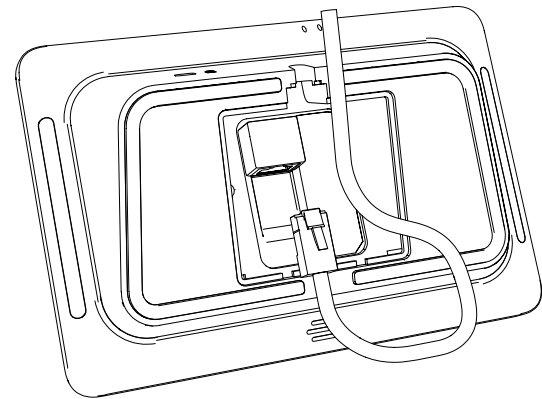
2



3



4



5



OPERATION

A simple touch will wake up the control panel. It provides a method of interacting with or controlling the room system. The initial interface and on-screen prompts make use of the control panel default setup.

Note: More options can be enabled upon setup, including user proximity to "wake up" the panel.



INFORMATION and SOFTWARE LINKS

Information regarding setup and configuration:

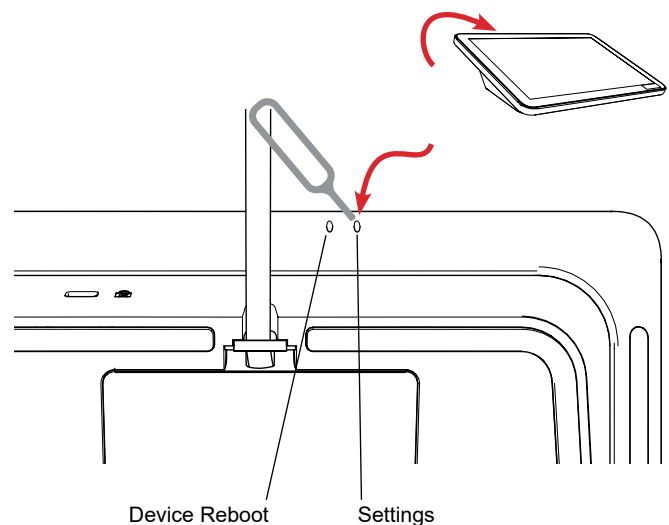
- [Biamp Control](#) on Cornerstone - search for articles about the Apprimo 8i
- **Project Designer:** Option to configure the user interface on the Apprimo 8i Available by request [here](#).

MAINTENANCE

Cleaning: Use a soft cloth (microfiber recommended) to clean the glass and cabinet. Do not use abrasives or solvent-based cleaning products. If necessary, use a specially formulated screen cleaner on a soft cloth to wipe any smears off the control panel. Wipe with a dry cloth to remove any residual moisture.

Settings: Insert reset pin into the designated hole in the top of the control panel rear. A simple press will bring up the device settings screen.

Note: Inserting the pin in the other hole will initiate a device reboot.



ACCESSORIES (OPTIONAL)

It is necessary to remove the Table Mount from the control panel in order to mount the panel to any of the accessory wall mounting options. The instructions to remove the table mount are on the next page. Do this before proceeding with the accessory mount instructions. Clicking the links in the table below will take you to the chosen instructions.

Model Name	Description	Mounting Type**
Apprimo 8-WMA	Angled wall mount bracket	To drywall or gang box
Apprimo 8-WMF	Flat wall mount bracket	To drywall or gang box
Apprimo 8-WMC	Concrete (surface) wall mount	To a solid surface wall
Apprimo 8-WML	Low profile wall mount bracket	For drywall / sheet rock

Apprimo 8-WMA/WMF: Any existing gang box must be flush with the mounting surface. This may require recessing or removing the gang box prior to installing the mounting plate on the wall.
Failure to follow this instruction will result in the control panel not sitting firmly and flush against the wall.

* Shown connected to a single gang box (US). Mounting base plate will accept most gang box types.

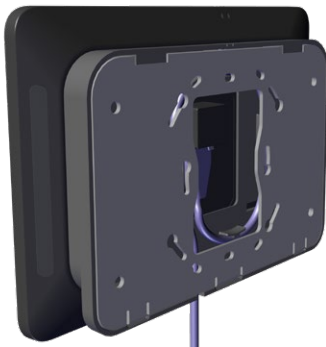
** Anchoring / mounting hardware and gang boxes are not included and must be appropriate for the surface and conform to local building codes



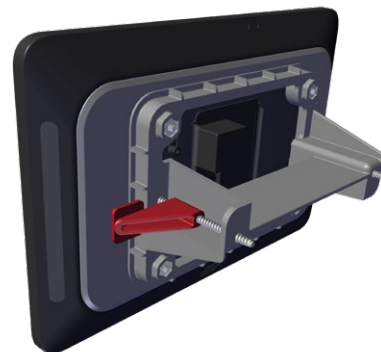
Angled Wall Mount *



Flat Wall Mount *



Concrete Wall Mount



Low Profile - custom back box

ACCESSORIES (OPTIONAL)

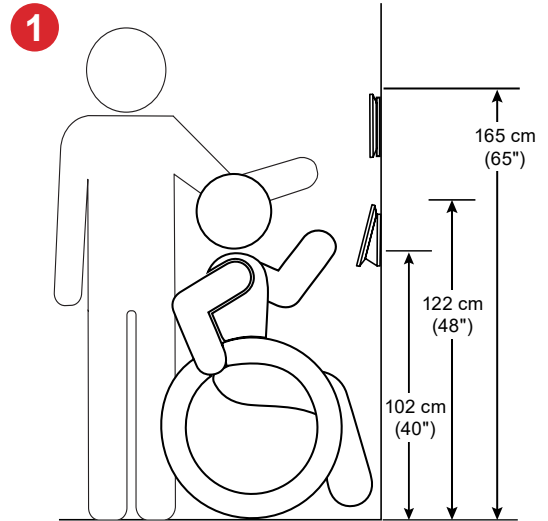
Determine placement on the wall

1. The center of the control panel would typically be located between 102 – 165 cm (40" – 65") above the finished floor. Route Cat 5e/6 cable to the location. There are channels and/or knockouts on the base plates for cable routing if installing on a solid wall. The Low Profile mounting option is designed work with network cabling inside the wall space.

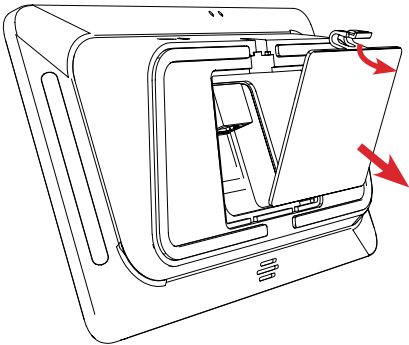
Note: Follow local guidelines for accessible wall controls. Installations complying with US ADA guidelines the top of the panel should not exceed 122 cm (48") from the floor.

Remove table mount from the control panel

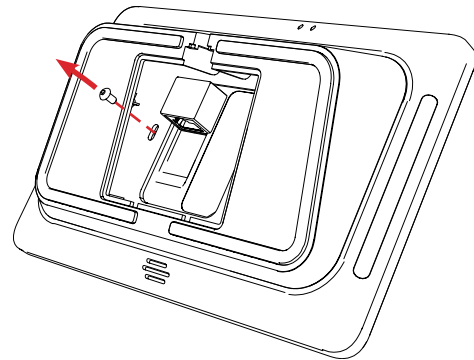
2. Remove cover from the rear of the table mount.
3. Remove screw holding table mount to control panel.
4. Remove mount by sliding it down and then lifting up.



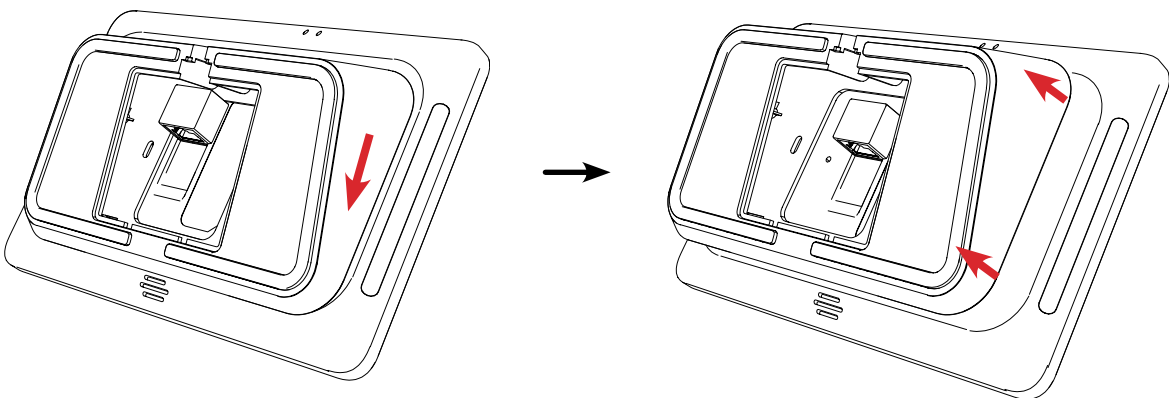
2



3



4



ACCESSORIES (OPTIONAL)

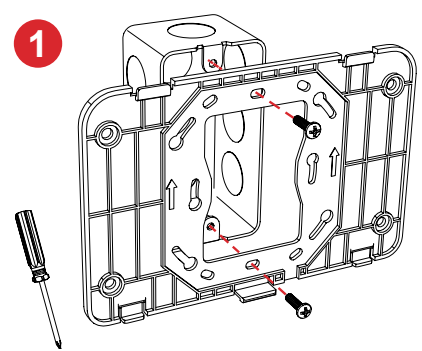
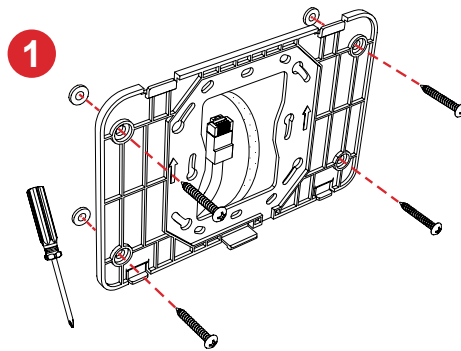
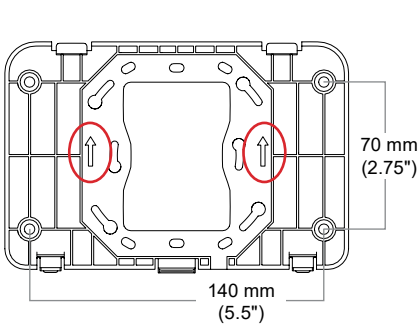
Install Flat or Angled Wall Mount (Aprimo 8-WMF, Aprimo 8-WMA)

The control panel can be mounted to a wall with or without a gang box. Most gang box styles are supported.

NOTE: The wall plate may be shipped attached to the flat or angled base. Use a small flat screwdriver to release the latched tab and lift the wall plate away from the base.

1. Attach wall plate directly to the wall with screw anchors or screw it to a gang box (most gang box styles are supported). Orient the plate with the arrows pointing up.

IMPORTANT: Any existing gang box must be flush with the mounting surface. This may require recessing or removing the gang box prior to installing the mounting plate on the wall. Failure to follow this instruction will result in the control panel not sitting firmly and flush against the wall.

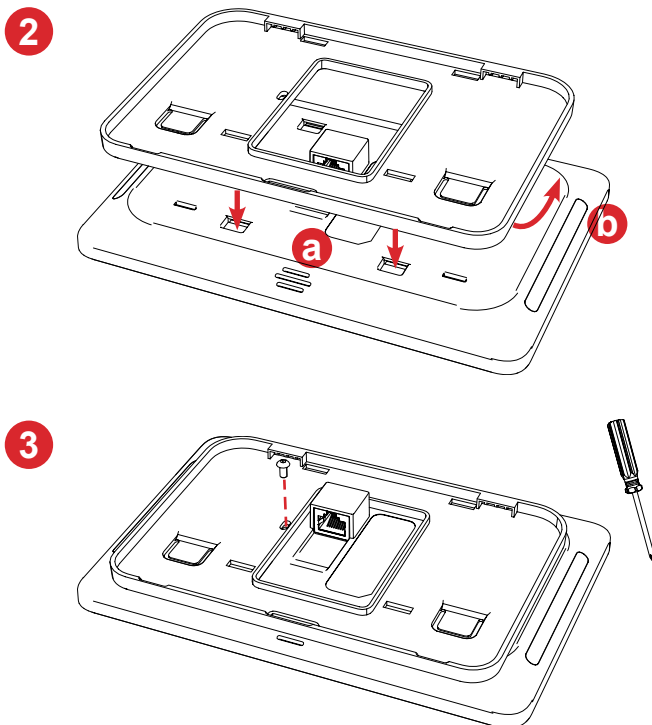


Disassemble for installation (if received attached)

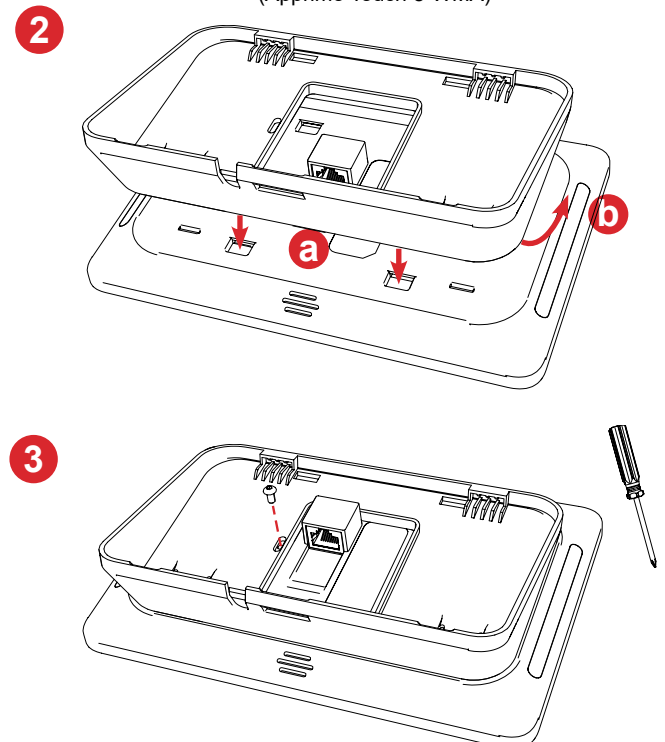
Both Flat and Angle wall mounting options are shown below. The Angle Mount has a notch to route the cable through if mounted on a solid wall.

2. Attach wall mount base to control panel - fit clips in control panel back (a), and slide up (b).
3. Secure base with a screw.

Flat Wall Mount (Aprimo Touch 8-WMF)



Angled Wall Mount (Aprimo Touch 8-WMA)

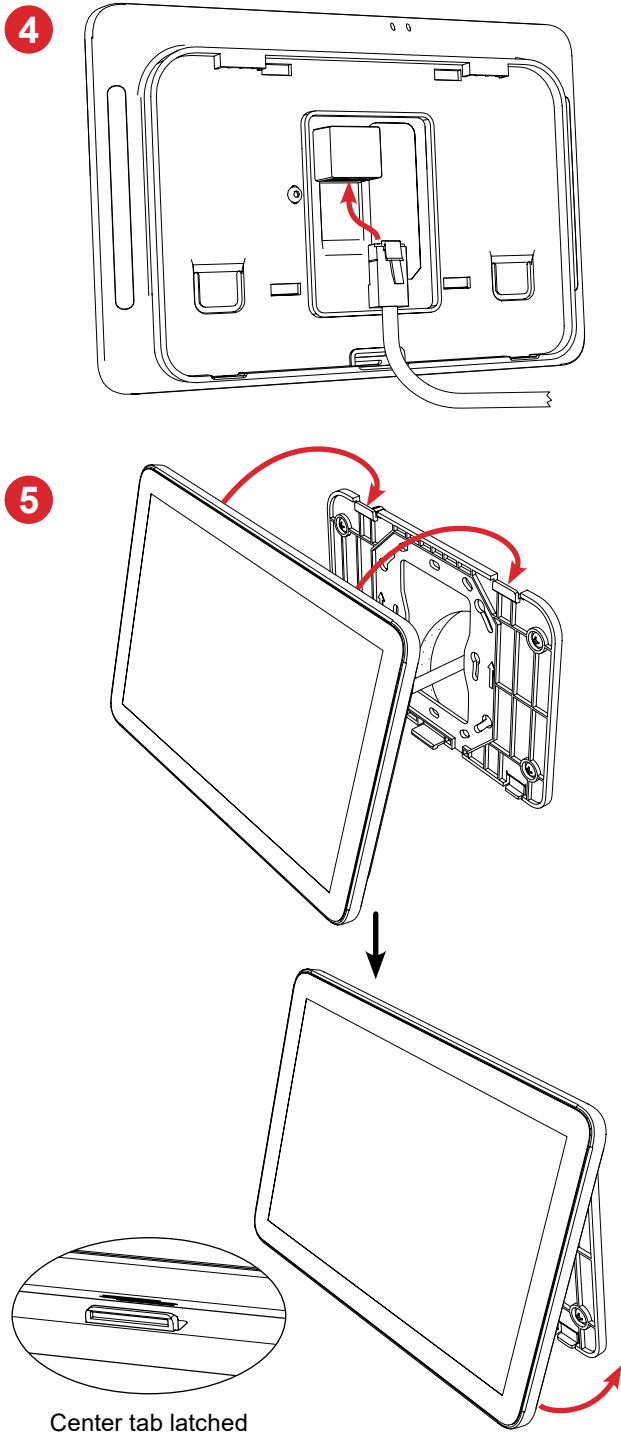


ACCESSORIES (OPTIONAL)

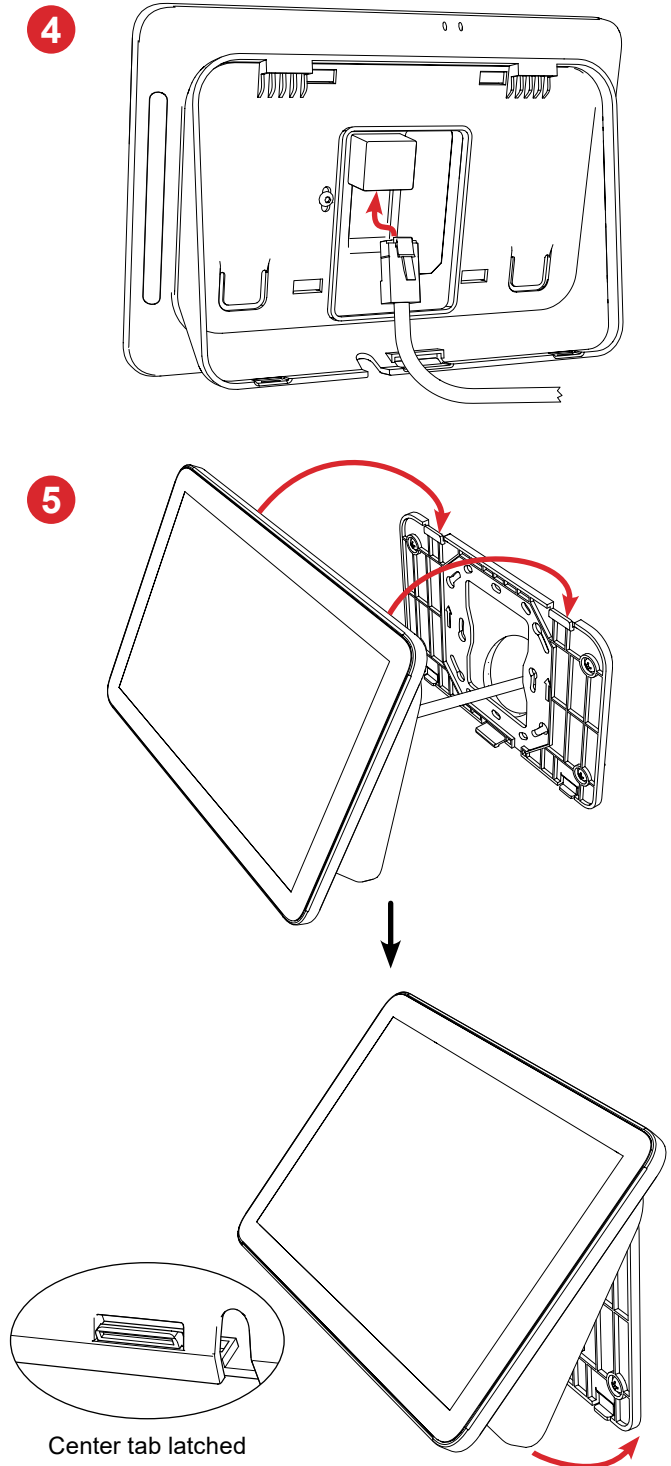
Installation - Flat or Angled Wall Mount (continued)

4. Insert network cable into port on the back of the control panel.
5. Mount the panel on the wall plate by hanging it on the top tabs then rotating in and clipping into the bottom tab. Ensure the tab is fully engaged (see circled views).

Flat Wall Mount



Angled Wall Mount

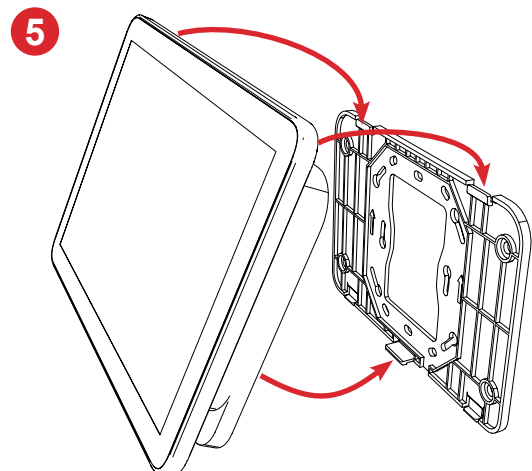
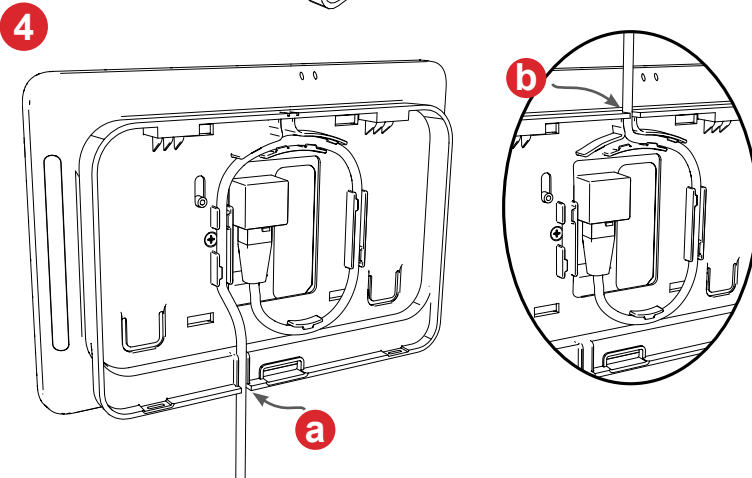
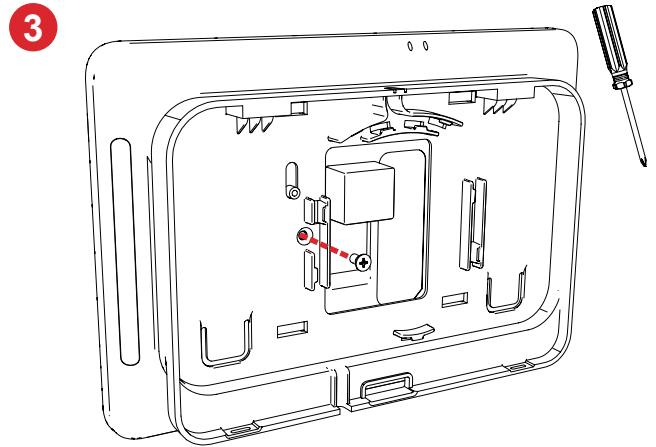
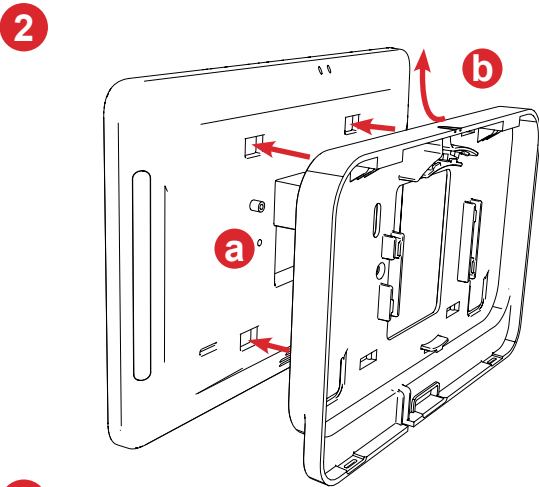
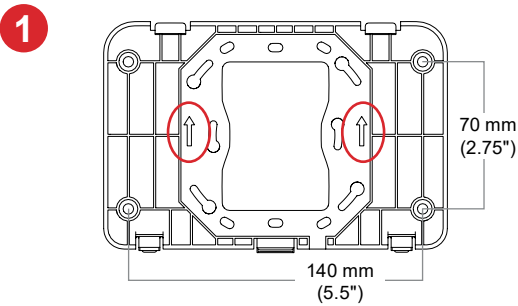
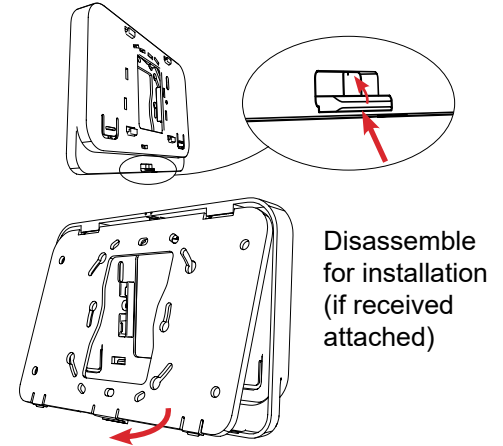


ACCESSORIES (OPTIONAL)

Install Concrete Wall Mount (Aprimo 8-WMC)

NOTE: The wall plate may be shipped attached to the concrete mount base. Use a small flat screwdriver to release the latched tab and lift the wall plate away from the base.

1. Securely attach wall plate directly to the wall with concrete anchors (or construction adhesive). Orient the plate with the arrows pointing up.
2. Attach wall mount base to control panel - fit clips in control panel back (a), and slide up (b).
3. Secure base with a screw.
4. Insert cable plug in the jack and route cable down or up. An opening is available if the cable is routed down (a). There is a small knockout at the top of the mount that should be removed (b) to route the cable up.
5. Mount the panel on the wall plate by hanging it on the top tabs then rotating in and clipping into the bottom tab. Ensure the tab is fully engaged in the base's slot.

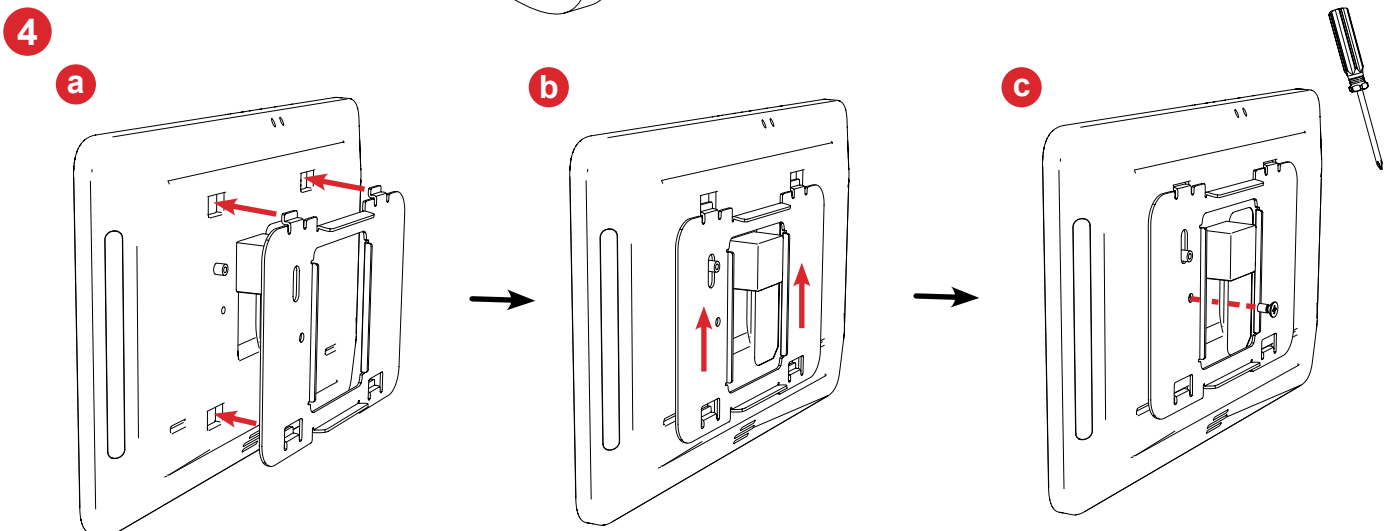
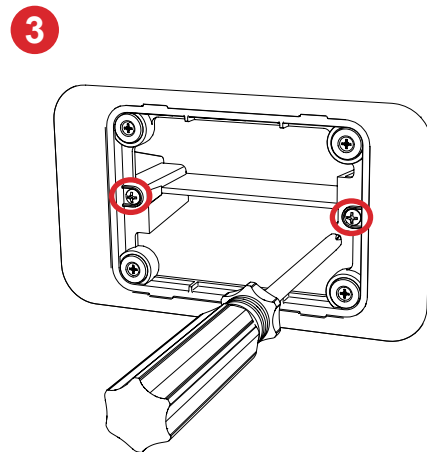
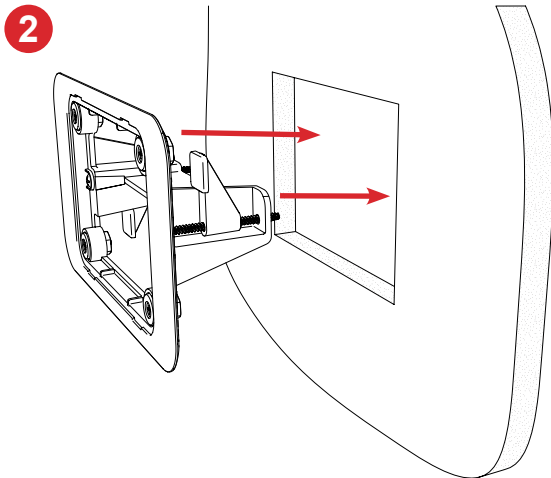
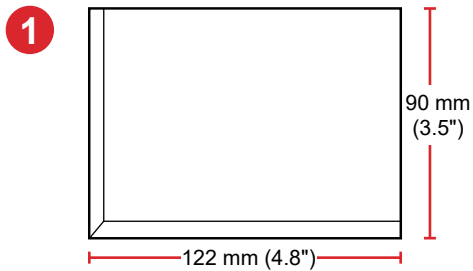
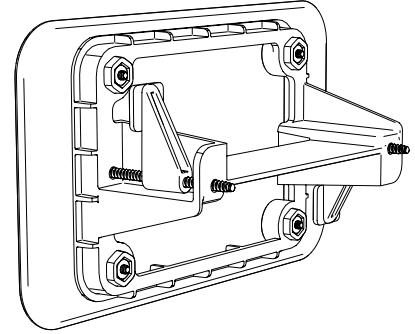


ACCESSORIES (OPTIONAL)

Install Low Profile Mount Bracket (Aprimo 8-WML)

Network cabling must be routed to the desired panel location.

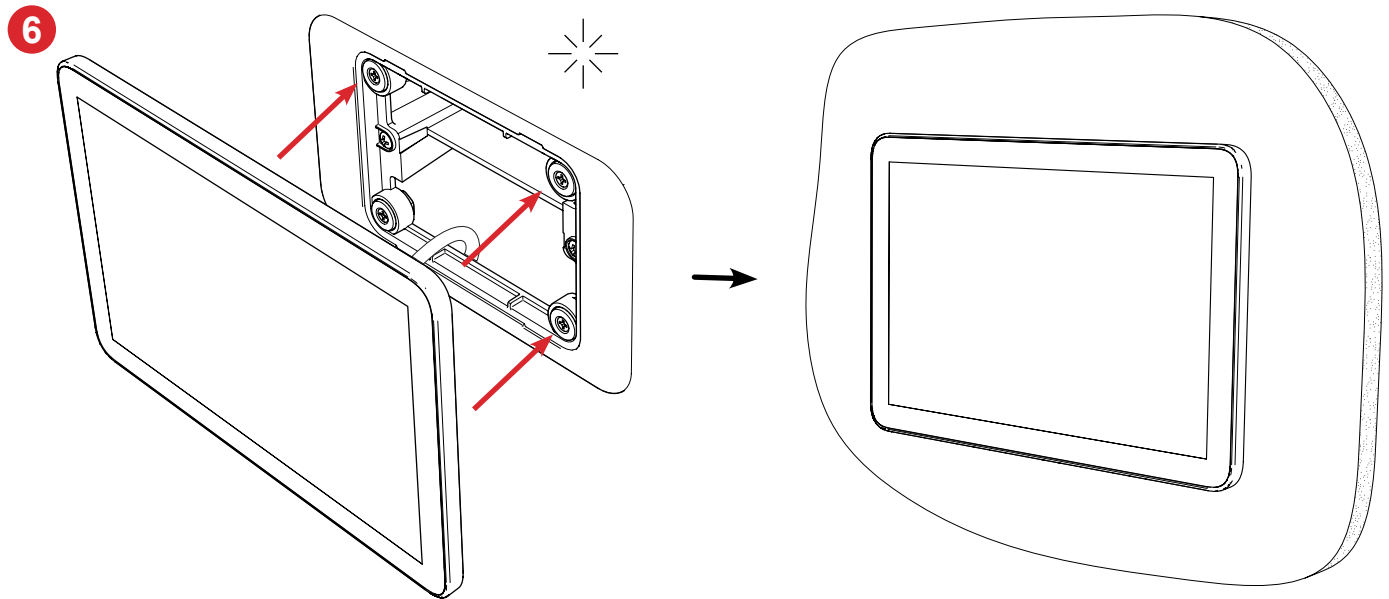
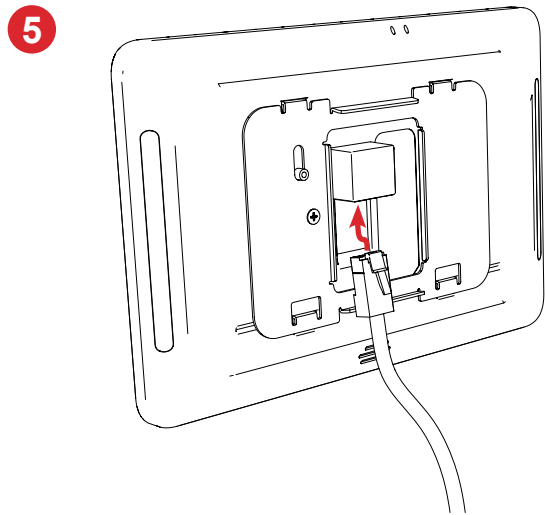
1. Cut a rectangular hole in the wall (drywall or sheet rock).
Dimensions H x W: 90 x 122 mm (3.5 x 4.8")
Note: The hole must have clearance of 25mm (1") on either side of the hole to accommodate the full clamp rotation.
2. Insert the bracket into the hole.
3. Screw the clamps down to secure the plate in the wall.
4. Attach baseplate to control panel - fit clips in control panel back (a), slide up (b), and secure with screw (c).



ACCESSORIES (OPTIONAL)

Install Low Profile Mount Bracket (continued)

5. Plug network cable in the back of the control panel and feed excess wire into the wall.
6. Position the panel's backplate aligned with, and against all four magnets in the low profile bracket. The panel will be held securely on the wall.



CONTACT US

Email: support@biamp.com

Warranty: [biamp.com/legal/warranty-information](https://www.biamp.com/legal/warranty-information)

Web: support.biamp.com

Safety & Compliance: [biamp.com/compliance](https://www.biamp.com/compliance)