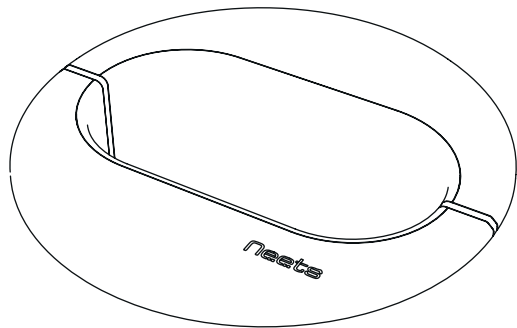


neets



# Installation guide

Neets MiniConnect™

**Thank you!**

Thank you for including the Neets MiniConnect as part of your user experience strategy.

# Specifications

## Physical dimensions:

H: 92 mm

W: 110 mm

D: 110 mm

## Internal dimensions:

W: 83 mm

D: 42 mm

## Weight:

Product: 225 g

Shipping: 410 g

## Compliance:

CE

## Table surface:

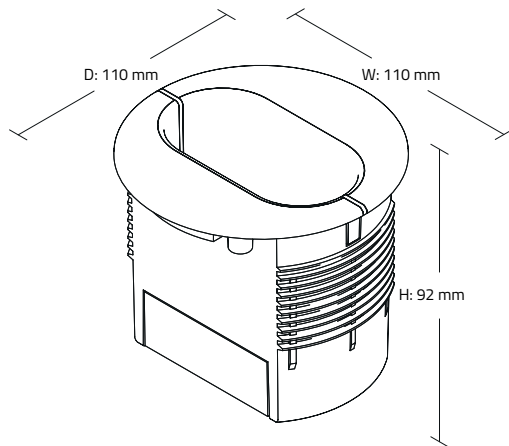
Mounting depth max.: 50 mm

## Recommended cable dimension:

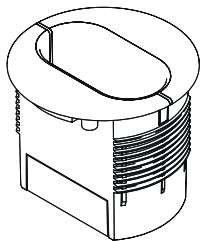
Max. 6 mm

## Recommended cable housing:

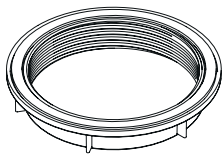
No less than 10 mm



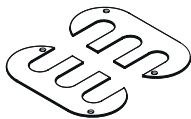
# What's in the box



**MiniConnect**



**Tension ring**



**Cable ribs**



**Cable tie holders**



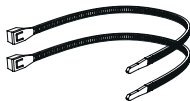
**Screws for  
cable ribs**



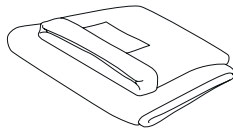
**Screws for  
cable tie holder**



**Cable bushings**



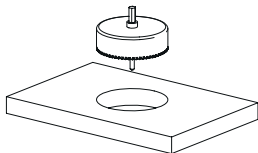
**Cable tie**



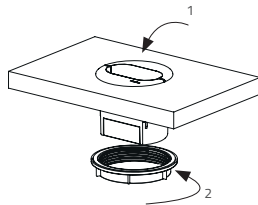
**Cable bag**

# How to install

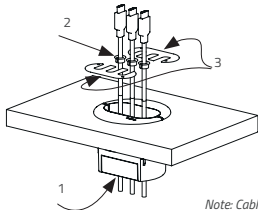
- 1 Drill a hole in your table using a  $\varnothing 102$  mm holesaw.



- 2 Place the MiniConnect into the hole (1) and screw on the tension ring (2).

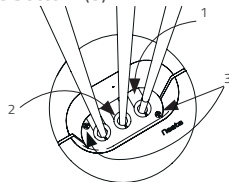


- 3 Insert the cables from the bottom (1). Then mount the cable bushings onto the cables (2), and the cable ribs on each side (3).

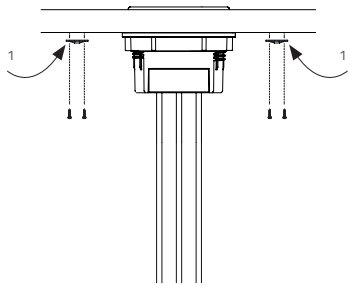


*Note: Cables are not included.*

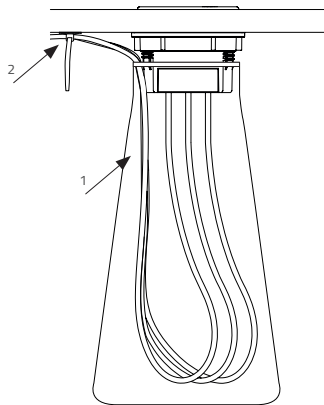
- 4 Drop the cable ribs down through the MiniConnect (1), and press the cable bushings into cable ribs (2). Then mount the two screws in the bottom (3).



- 5** Mount one or both cable tie holders underneath the table, using the supplied screws (1).



- 6** Put the cables in the cable bag, and attach the cable bag, using the velcro (1). Use a cable tie to secure the cables to the cable tie holder (2).





# Learn more at [neets.dk](https://neets.dk)

Visit our website [neets.dk](https://neets.dk) for additional information about the product.