

BIAMP UCC-LENOVO TSCIP / TSC CORE INSTALLATION GUIDE

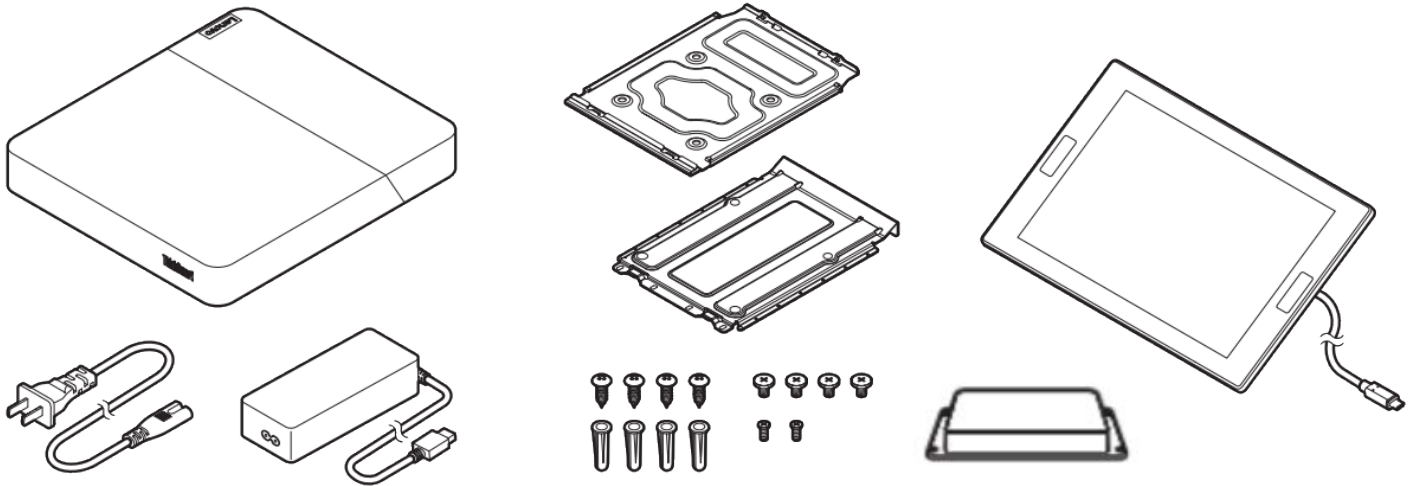


UCC LENOVO TSCIP - MTR
UCC LENOVO TSCIP - ZOOM
UCC-LENOVO TSC - MTR
UCC-LENOVO TSC - ZOOM



IN THE BOX

TSCIP



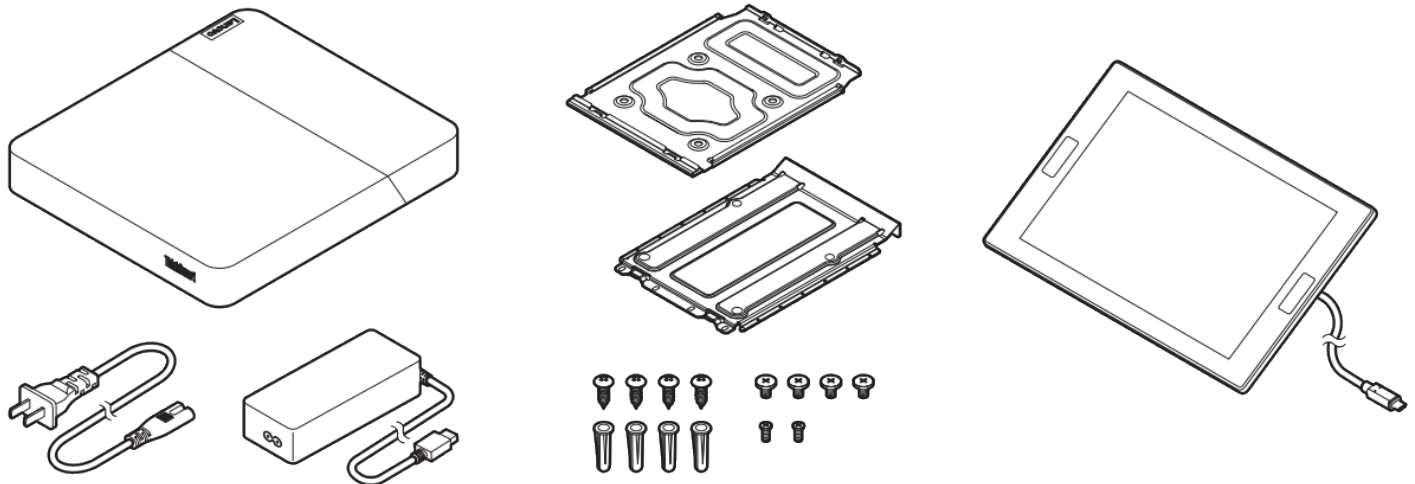
- Core device
- Controller
- Link box
- Tiny screws x 2
- Medium screws x 4
- Larger screws - x 4
- Drywall anchors - x 4
- Mounting brackets x 4
- AC power adapter

Not Shown

- 5-meter (16.4") CAT5e cable
- 2-meter (6.4") HDMI cable
- 1-meter (3.2") HDMI cable
- 1-meter (3.2") USB 3.0 Type-B to USB Type-A cable.
- Safety guide

IN THE BOX

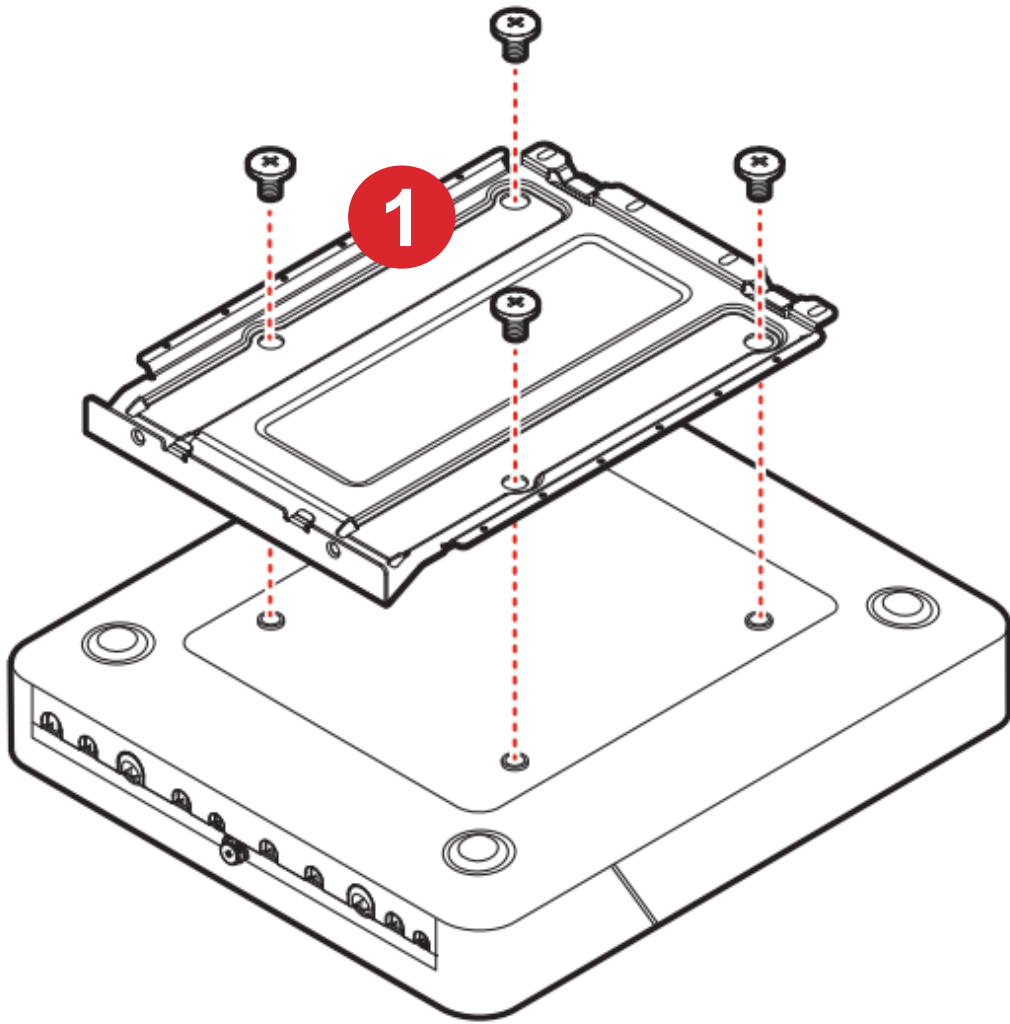
TSC



- Core device
 - Controller w/attached USB-C
 - Tiny screws x 2
 - Medium screws x 4
 - Larger screws - x 4
 - Drywall anchors - x 4
 - Mounting brackets x 4
 - AC power adapter
- Not shown**
Safety guide

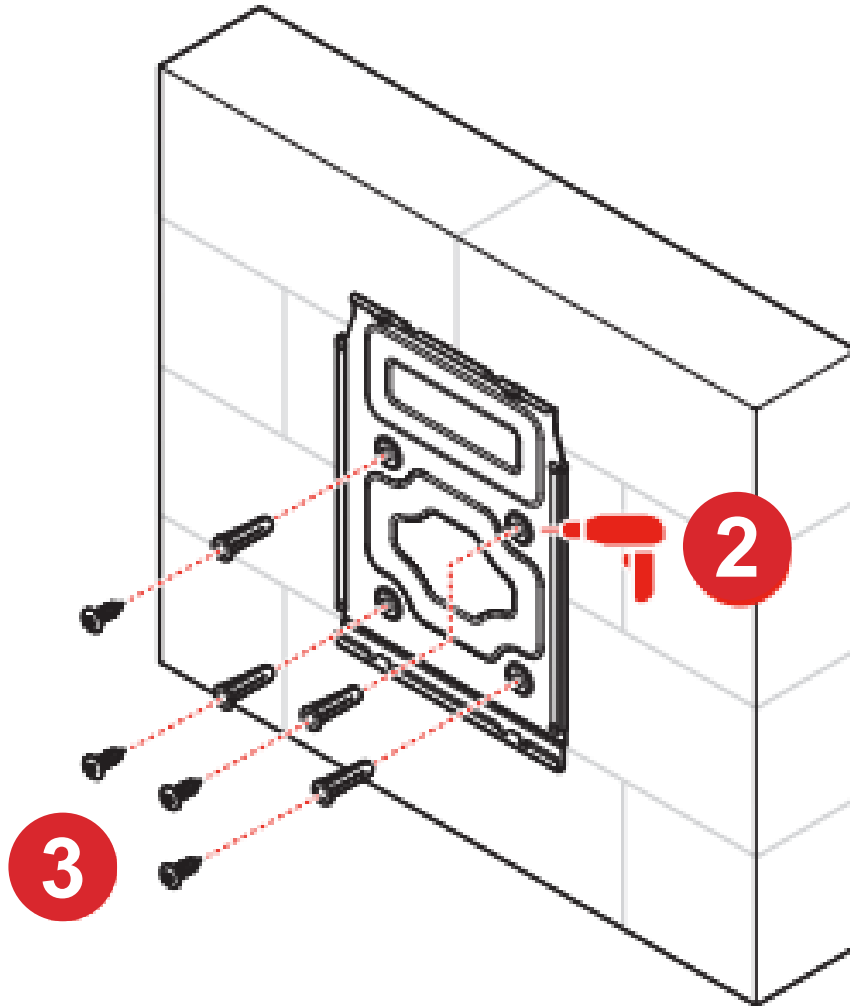
INSTALLATION

Wall-Mount Option



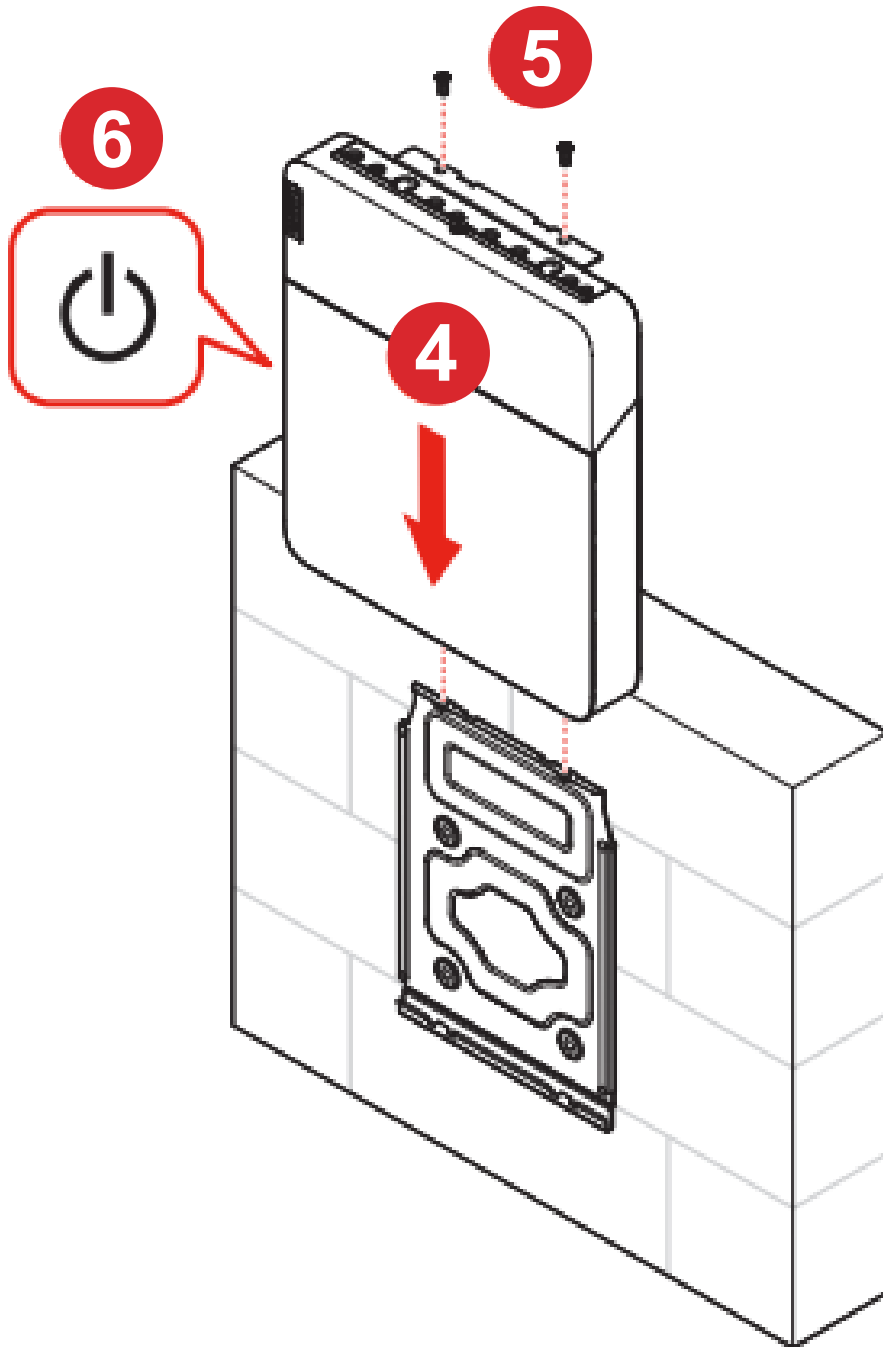
INSTALLATION

Wall-Mount Continued



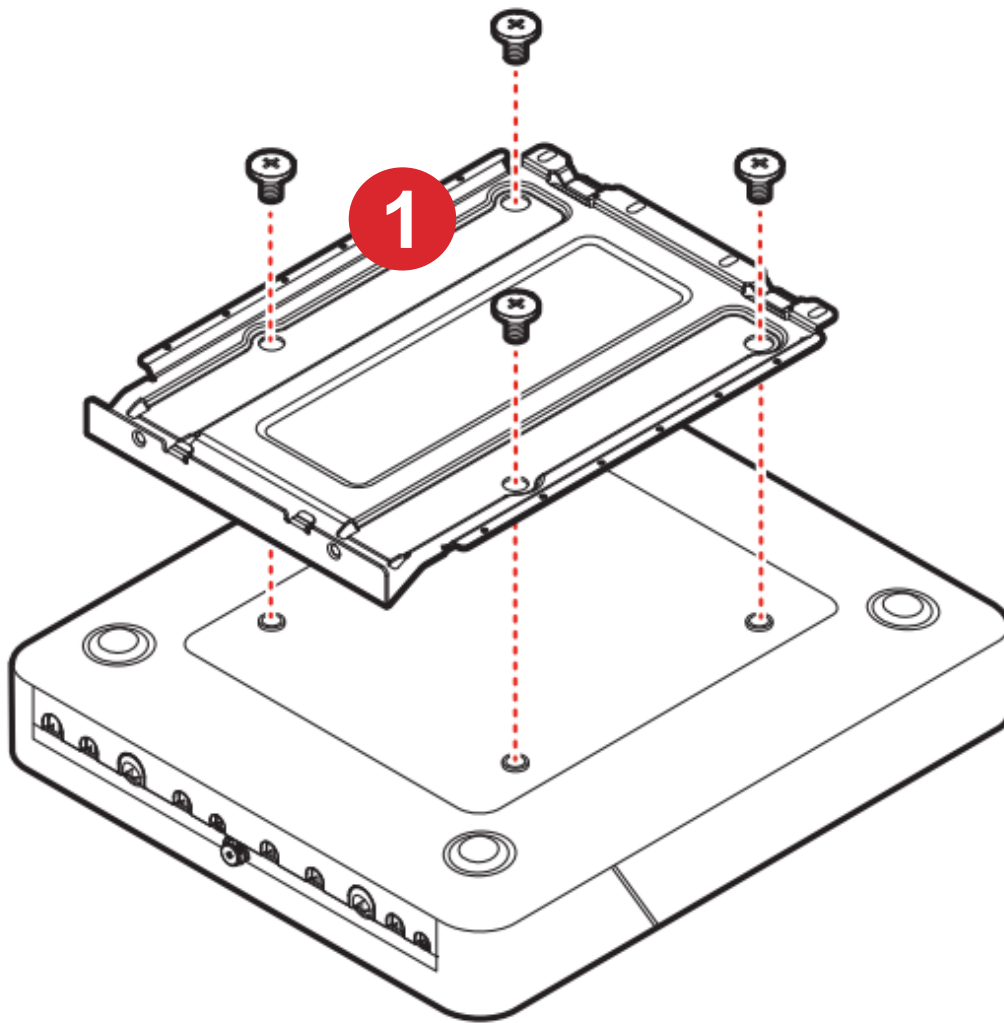
INSTALLATION

Wall-Mount Option Continued



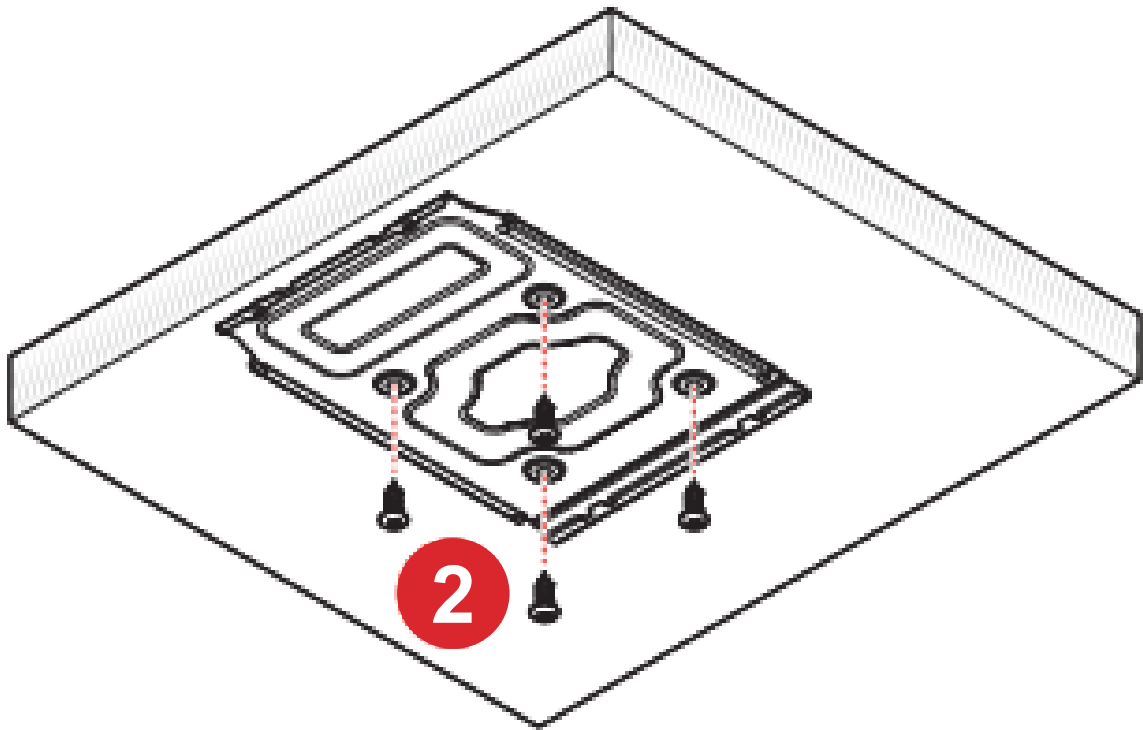
INSTALLATION

Under-Table Mount Option



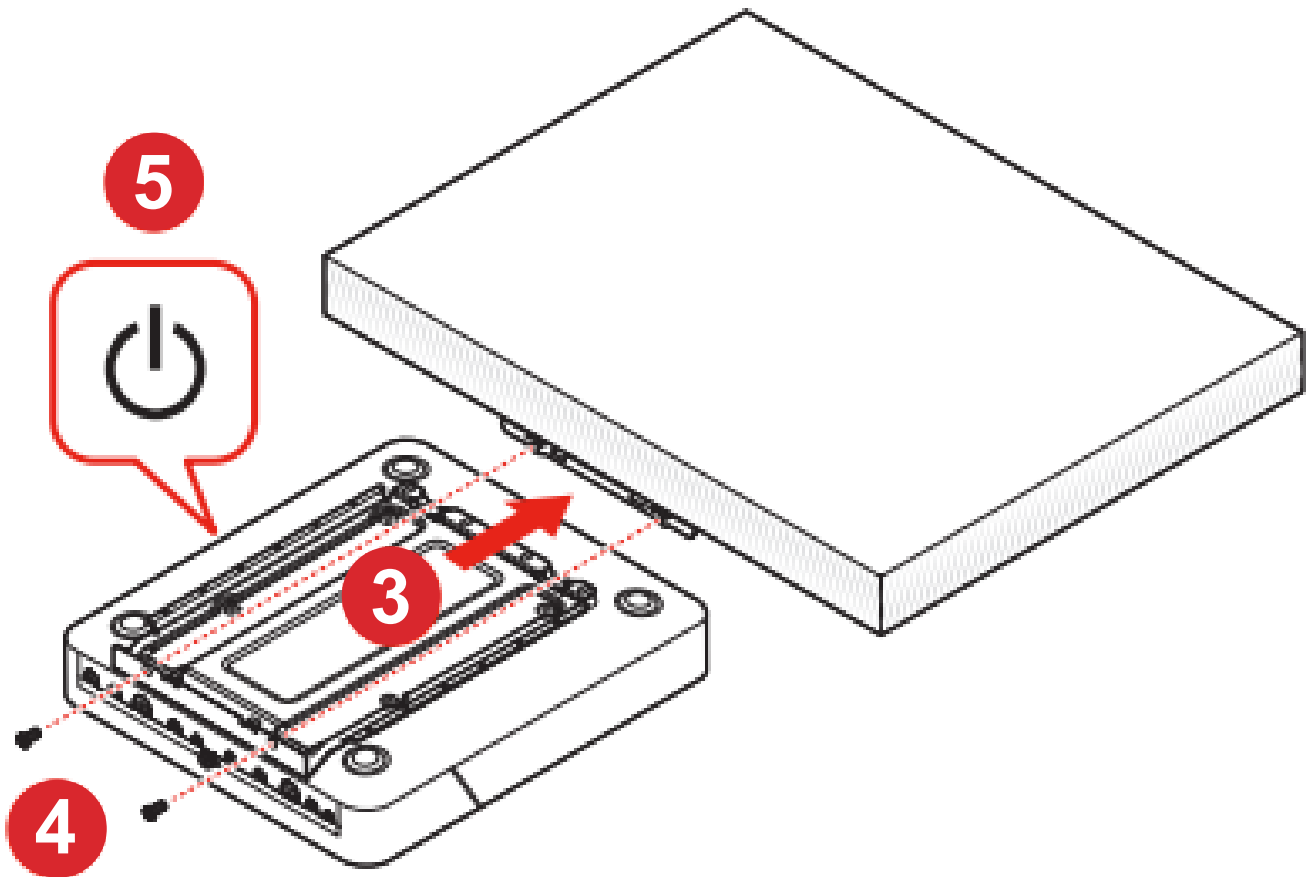
INSTALLATION

Under-Table Mount Option Continued



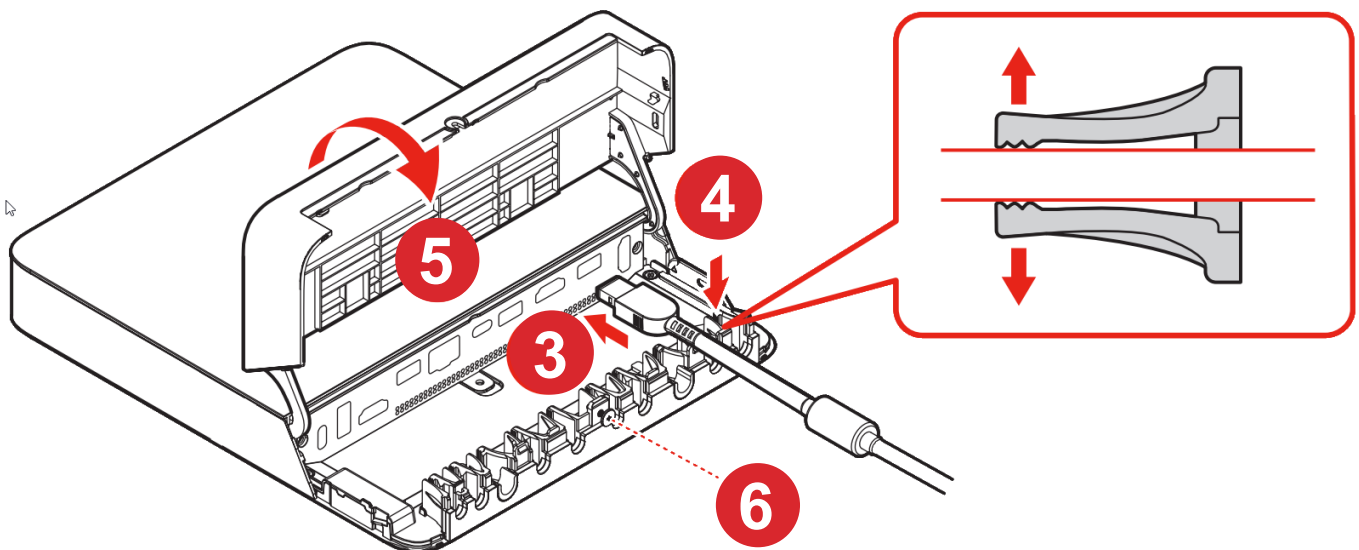
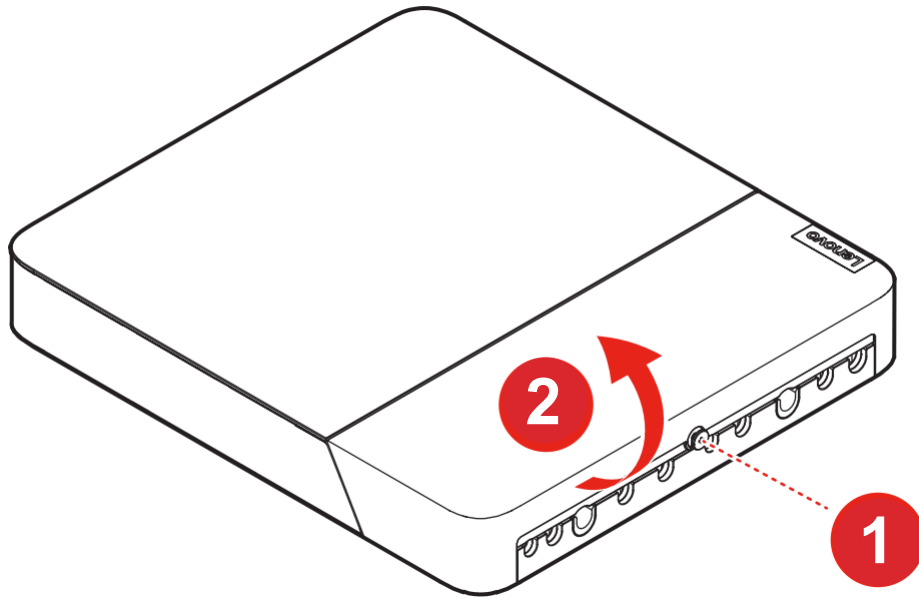
INSTALLATION

Under-Table Mount Option Continued



GET STARTED

Connections



CONTACT US

Email: support@biamp.com

Web: support.biamp.com

Warranty: biamp.com/legal/warranty-information

Safety & Compliance: biamp.com/compliance