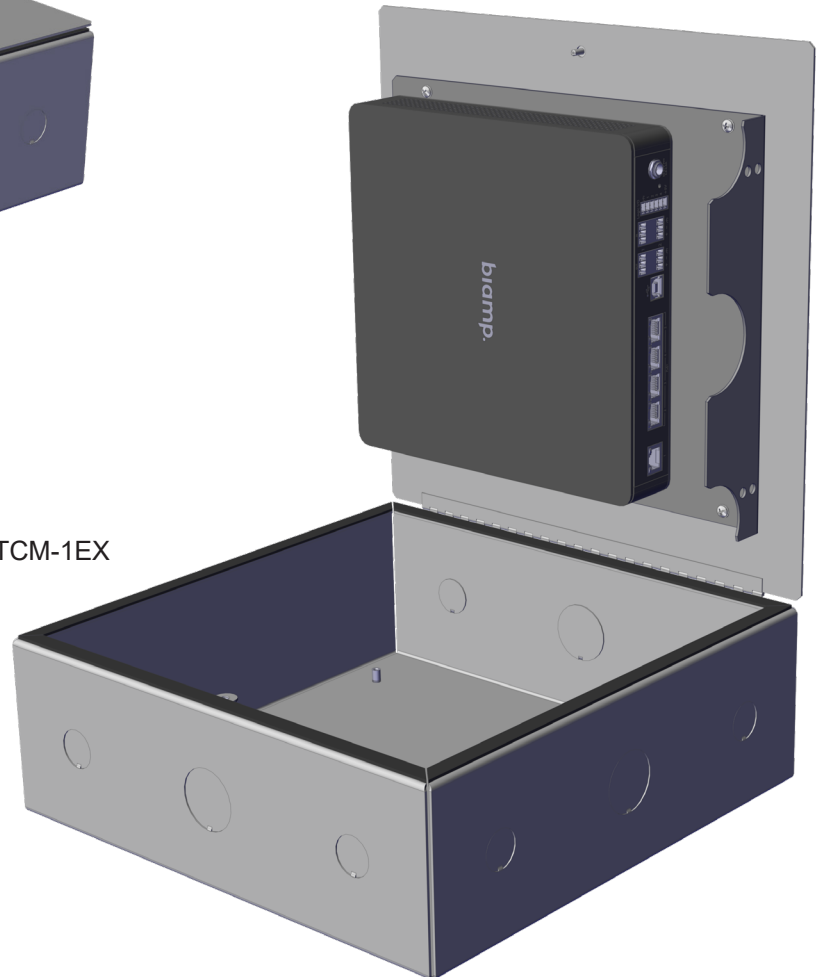
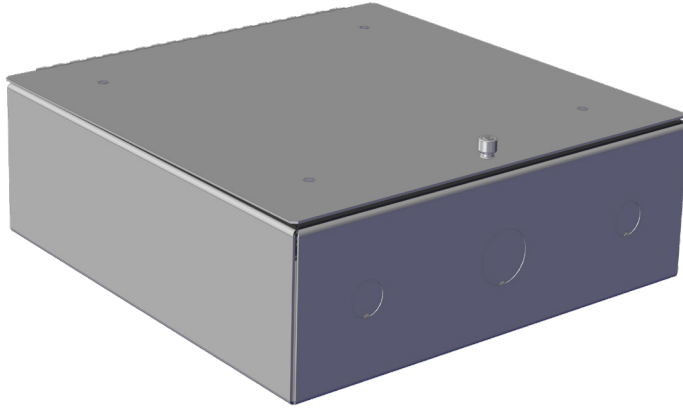


Biamp Plenum Box 12x12

Installation Guide



Connecting people through extraordinary audiovisual experiences™



Shown with Forte-X attached

Applicable for devices:

TesiraFORTE X400 / X800 / X1600
Devio SCX400 / SCX800
Tesira AMP-450P / AMP-450BP
Parlé TCM-1 / TCM-1A / Parlé TCM-X / TCM-XA / TCM-1EX

Product Description

Fire-resistant enclosure used to install the listed devices in plenum spaces. Conduit knockouts are available on each of the four sides of the enclosure: (1) 1.4" (34.6mm) for a 1" conduit, and (2) 1.1" (28.5mm) for ¾" conduit.

The Biamp Plenum Box 12x12 is UL2043 compliant and is approved for use in air-handling plenums. This product also meets Chicago Building Code Chapter 14E-3 requirements for use in a plenum space within the city of Chicago. The box must be installed in compliance with all CCEA requirements under Section 14E-3-300.22(C)(2) of the City of Chicago Electrical Code to pass final inspection.

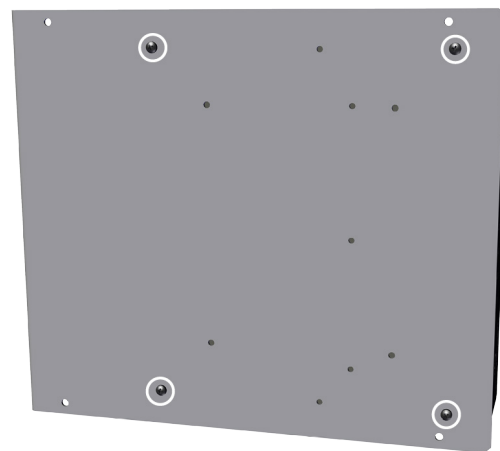
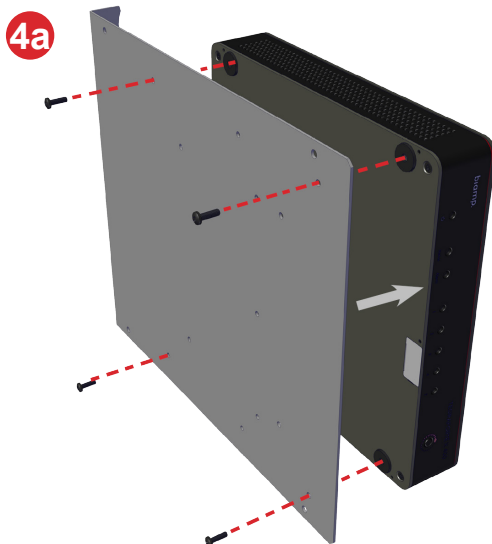
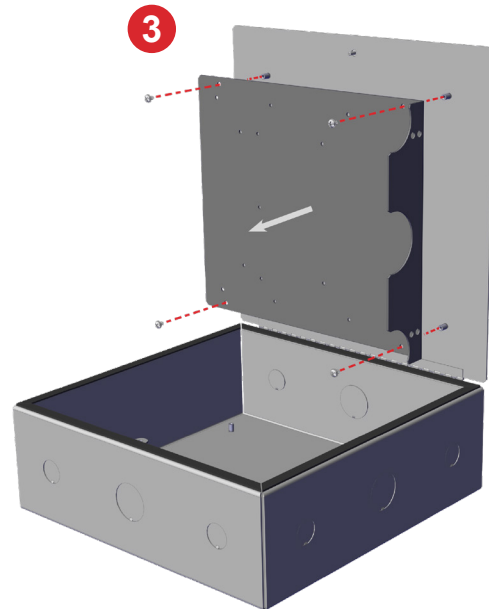
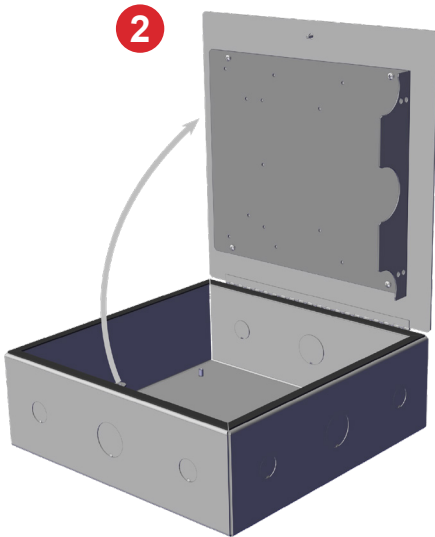
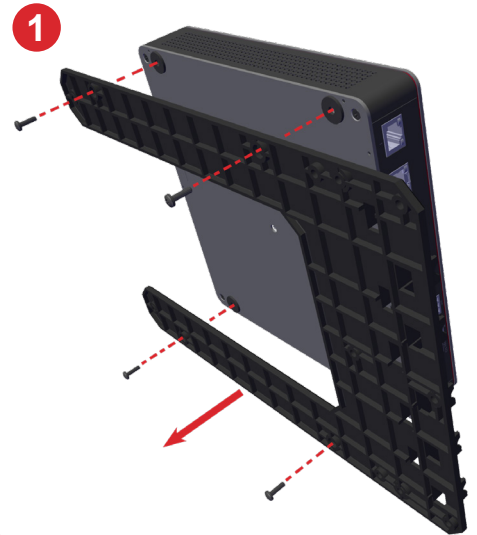


A: 9300 S.W. Gemini Drive Beaverton, OR 97008 USA

W: www.biamp.com

Installation Instructions

1. Remove the backplate (if installed) from the unit reserving hardware for attachment to the box mounting plate.
2. Unscrew and lift the lid of the plenum box.
3. Remove the mounting plate from inside the lid. Reserve the screws for reattachment later.
4. Connect the unit to the plate back of the unit facing the curved lip as shown:
a] **Forte-X & DevioSCX:** through the threaded holes at the back of the device (reuse screws from original back plate removal).

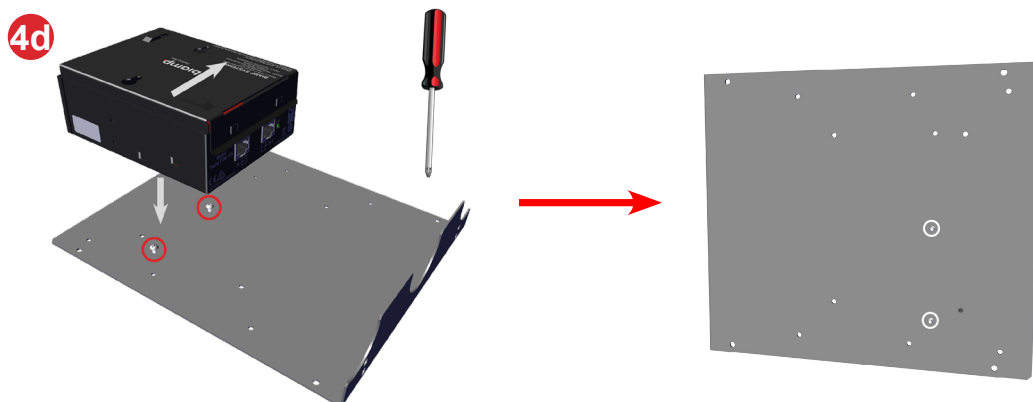
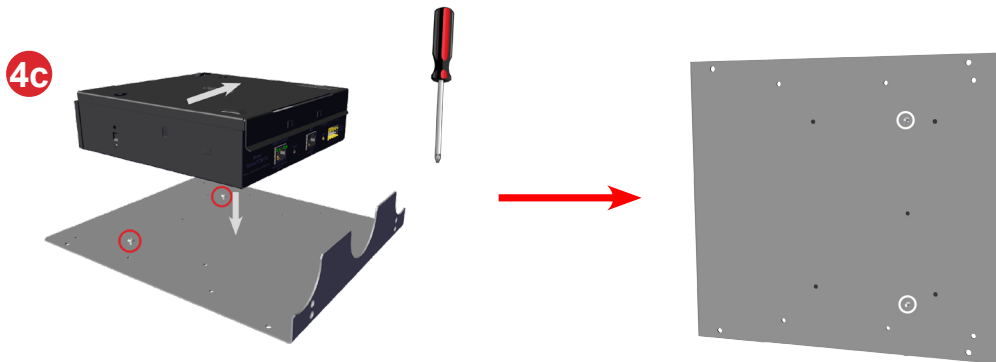
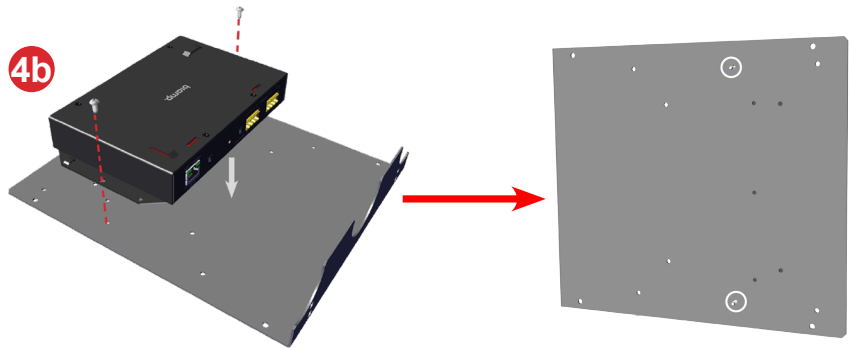


Installation Instructions (continued)

b] **AMP-450P/450BP, TCM-X/XA:**
Connect the device to the top of the back plate as shown using (2) sheet metal screws

c] **Tesira TCM-1/1A:** Screw two screws into the top of plate (circled). Place device on the screws and slide until they are captured in the slot. Tighten screws to secure device.

d] **TCM-1EX:** Screw two screws into the top of plate (circled). Place device on the screws and slide until they are captured in the slot. Tighten screws to secure device.



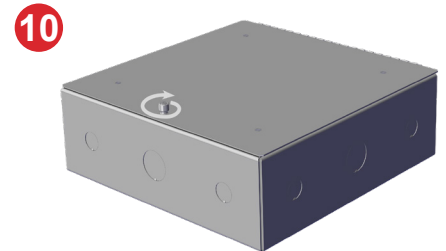
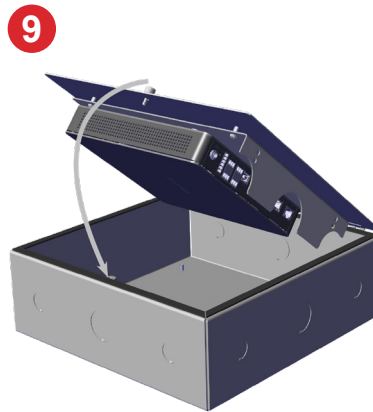
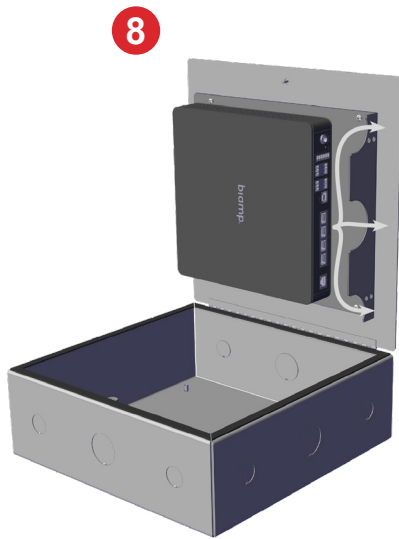
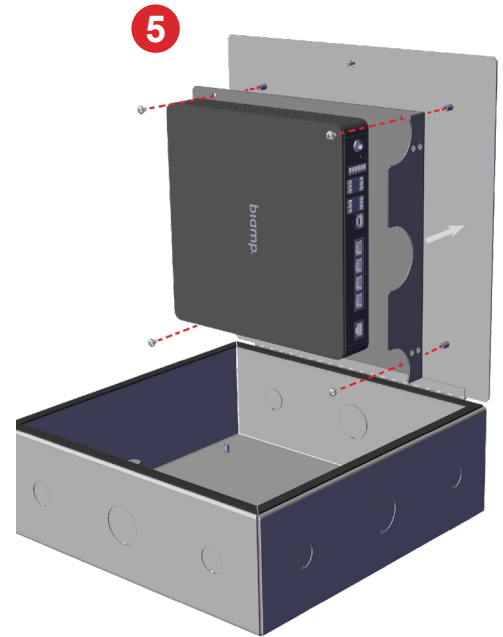
Installation Instructions (continued)

5. Reattach the plate (and unit) to the inside of the lid.
6. Remove applicable punch outs and connect conduit fittings*.
7. Mount the box in a stable location*.
(Follow all procedures, codes or building standards applicable for the location – mounting hardware is not provided).

*Note: Steps 6 and 7 are not shown.

8. Wire the device per the instructions in the model's Installation Guide.
Note: The curved lip on the right of the plate helps to secure the wires once the lid is closed. Holes are provided for cable ties to further secure wiring.
9. After activating / launching the unit and ensuring proper operation, close the lid. Ensure all wires are in the enclosure, are not pinched, and do not interrupt the gasket / lid closure.
10. Secure with thumbscrew.

biamp.™



CONTACT US

Email: support@biamp.com

Web: support.biamp.com

Warranty: biamp.com/legal/warranty-information

biamp.

A: 9300 S.W. Gemini Drive Beaverton, OR 97008 USA

W: www.biamp.com

585.0248 7JUI2022