

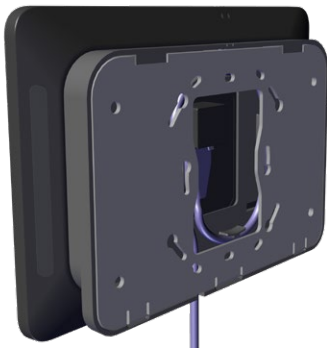
# Apprimo Touch 8 Control Panel Accessories Installation Guide



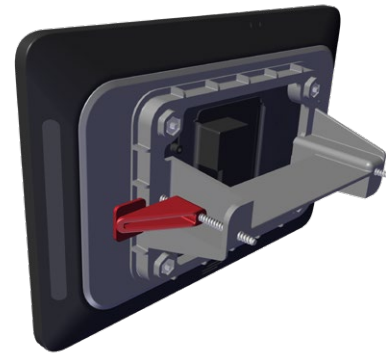
Angled Wall Mount \*



Flat Wall Mount \*



Concrete Wall Mount



Low Profile - custom back box

Model Name	Description	Mounting Type**
<a href="#">Apprimo 8-WMA</a>	Angled wall mount bracket	To drywall or gang box†
<a href="#">Apprimo 8-WMF</a>	Flat wall mount bracket	To drywall or gang box†
<a href="#">Apprimo 8-WMC</a>	Concrete (surface) wall mount	To a solid surface wall
<a href="#">Apprimo 8-WML</a>	Low profile wall mount bracket	For drywall / sheet rock

\* Shown connected to a single gang box (US). Mounting base plate will accept most gang box types.

\*\* Anchoring / mounting hardware and gang boxes are not included and must be appropriate for the surface and conform to local building codes

† Any existing gang box must be flush with the mounting surface. This may require recessing or removing the gang box prior to installing the mounting plate on the wall. *Failure to follow this instruction will result in the control panel not sitting firmly and flush against the wall.*

## MOUNTING ACCESSORY INSTALLATION

It is necessary to remove the Table Mount from the control panel in order to mount the panel to any of the accessory wall mounting options. The instructions to remove the table mount are below. Do this before proceeding with the accessory mount instructions. Clicking the links in the table on [page 1](#) will take you to the chosen accessory instructions.

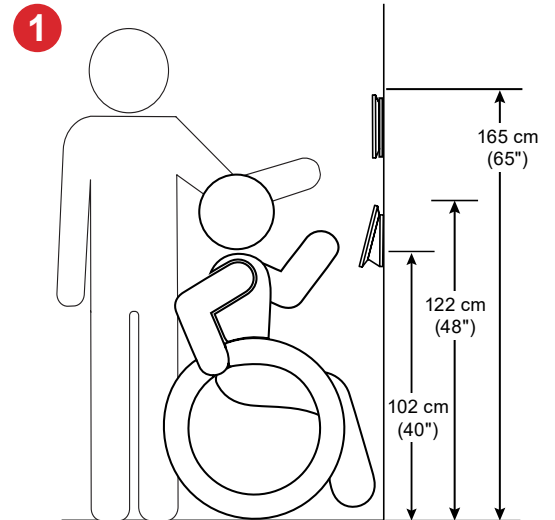
### Determine placement

The center of the control panel would typically be located between 102 – 165 cm (40" – 65") above the finished floor. Route Cat 5e/6 cable to the location. There are channels and/or knockouts on the base plates for cable routing if installing on a solid wall. The Low Profile mounting option is designed work with network cabling inside the wall space.

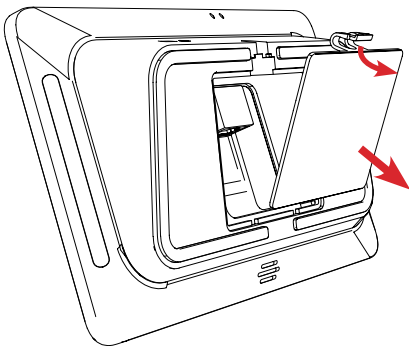
**Note:** Follow local guidelines for accessible wall controls. Installations complying with US ADA guidelines the top of the panel should not exceed 122 cm (48") from the floor.

### Remove table mount from the control panel

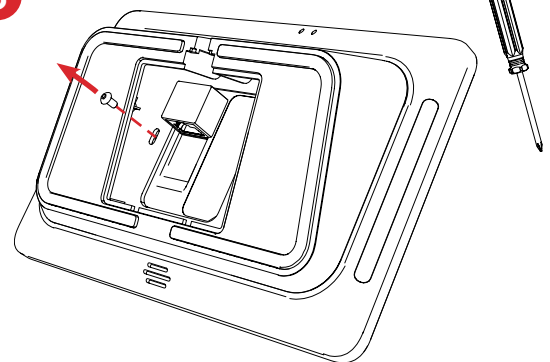
1. Remove cover from the rear of the table mount.
2. Remove screw holding table mount to control panel.
3. Remove mount by sliding it down and then lifting up.



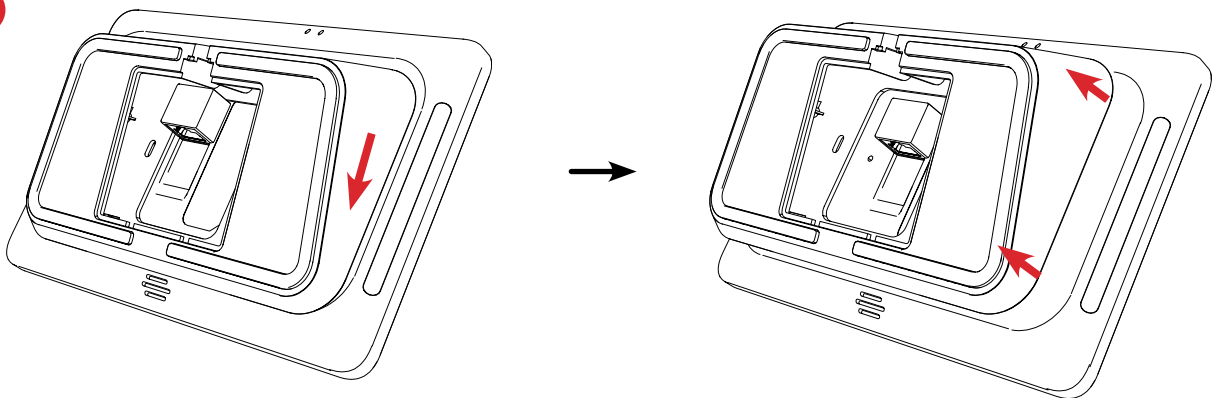
2



3



4



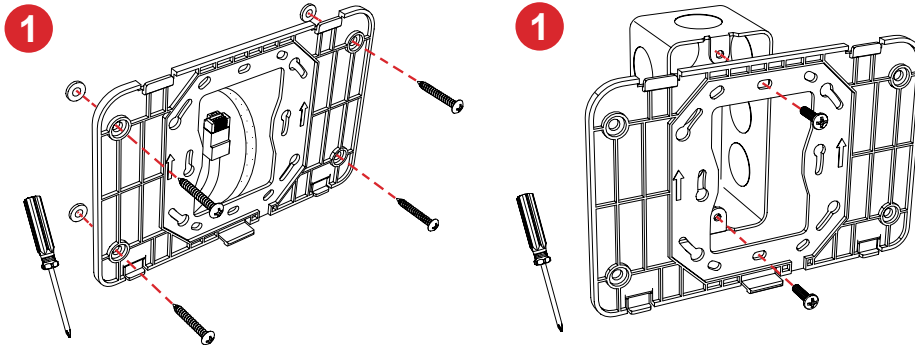
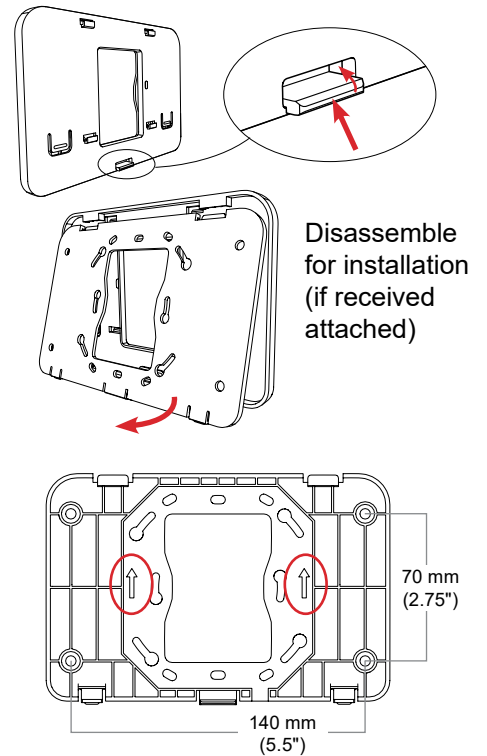
# FLAT / ANGLED WALL MOUNT BRACKET (APPRIMO 8-WMF / APPRIMO 8-WMA)

## Install wall plate

**NOTE:** The wall plate may be shipped attached to the flat or angled base. Use a small flat screwdriver to release the latched tab and lift the wall plate away from the base.

1. Attach wall plate directly to the wall with screw anchors or screw it to a gang box (most gang box styles are supported). Orient the plate with the arrows pointing up.

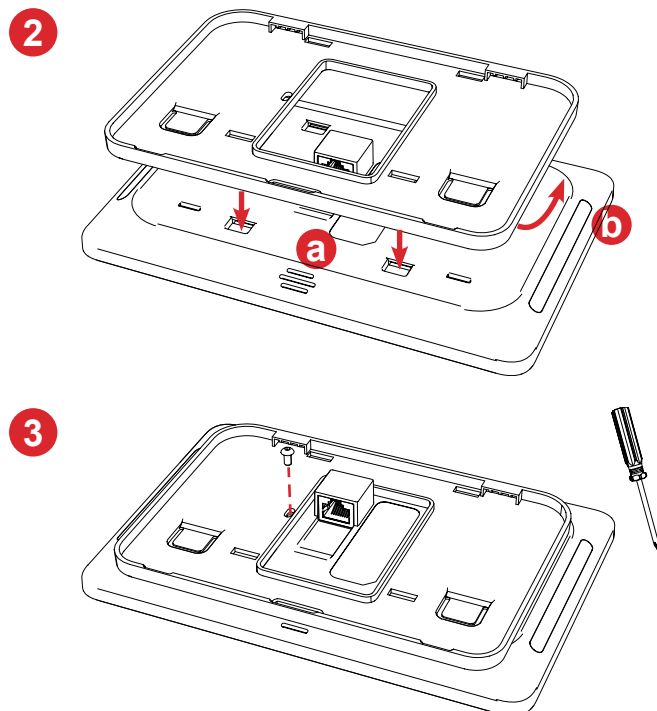
**IMPORTANT:** Any existing gang box must be flush with the mounting surface. This may require recessing or removing the gang box prior to installing the mounting plate on the wall. Failure to follow this instruction will result in the control panel not sitting firmly and flush against the wall.



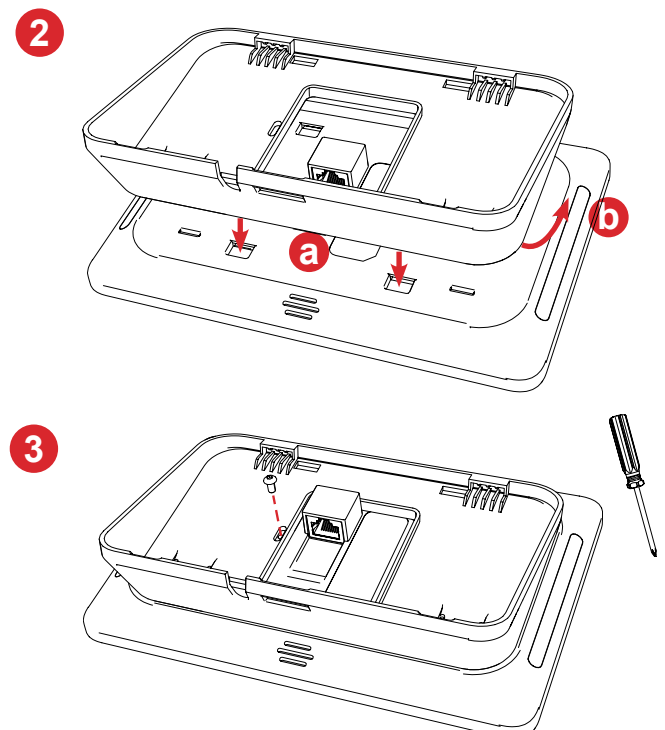
Both Flat and Angle wall mounting options are shown below. The Angle Mount has a notch to route the cable down if mounted on a solid wall.

2. Attach wall mount base to control panel - fit clips in control panel back (a), and slide up (b).
3. Secure base with a screw.

### Flat Wall Mount (Apprimo Touch 8-WMF)



### Angled Wall Mount (Apprimo Touch 8-WMA)

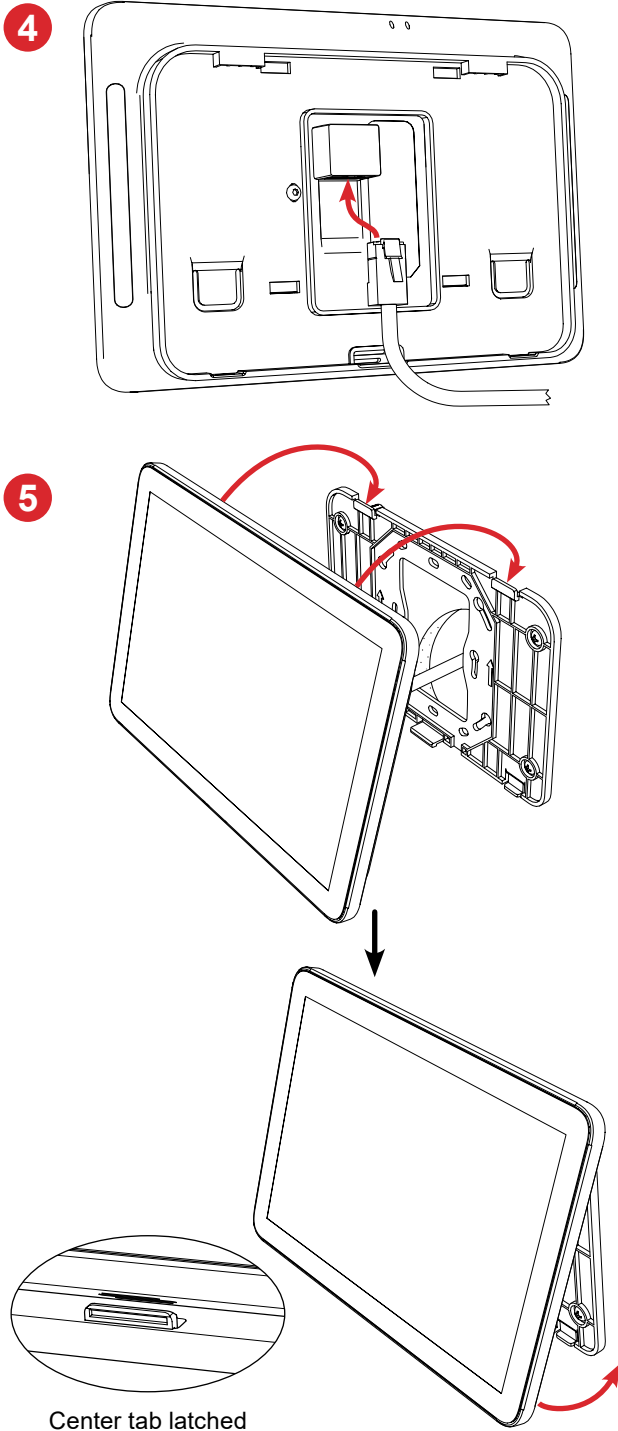


## FLAT / ANGLED WALL MOUNT BRACKET (CONTINUED)

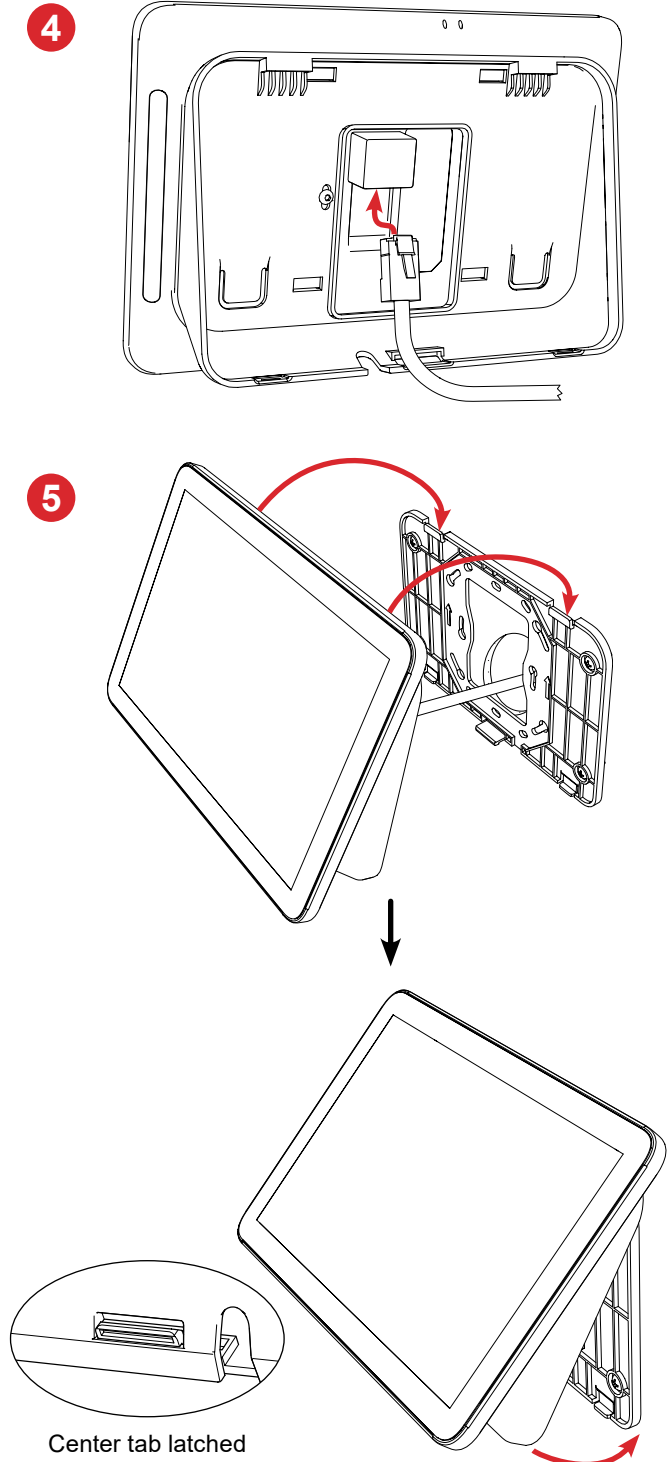
### Installation (continued)

4. Insert network cable into port on the back of the control panel.
5. Mount the panel on the wall plate by hanging it on the top tabs then rotating in and clipping into the bottom tab. Ensure the tab is fully engaged (see circled views).

#### Flat Wall Mount



#### Angled Wall Mount

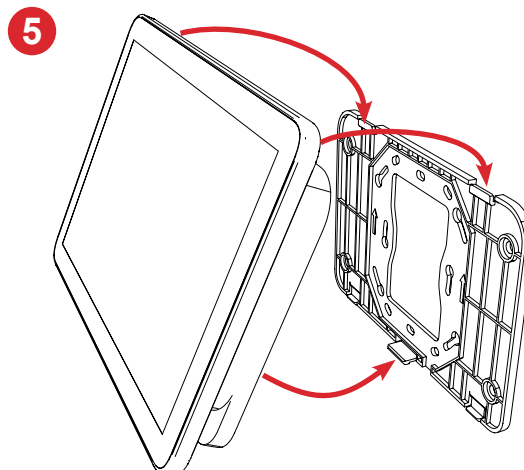
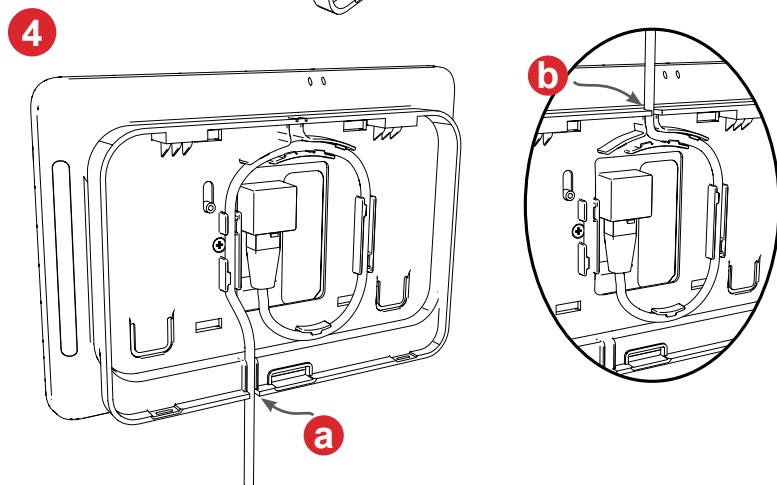
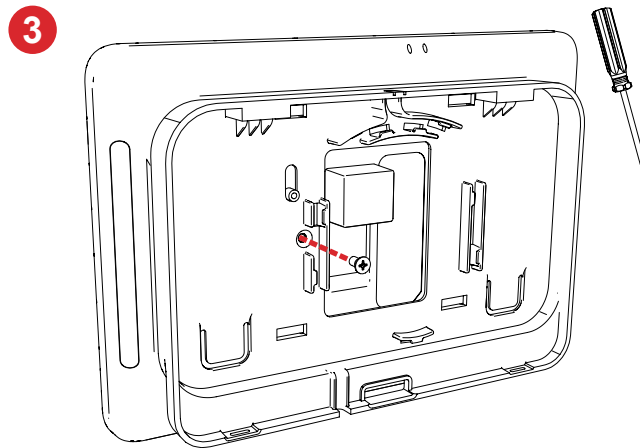
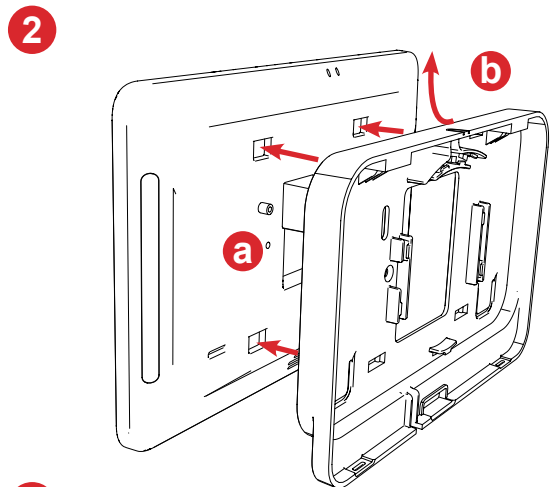
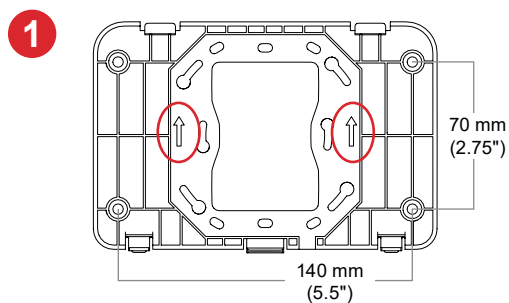
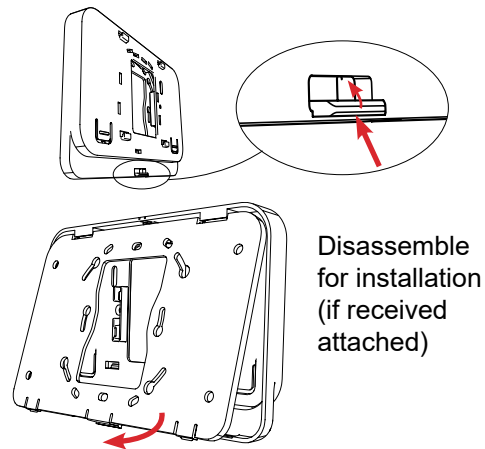


# CONCRETE WALL MOUNT (APPRIMO 8-WMC)

## Installation

**NOTE:** The wall plate may be shipped attached to the concrete mount base. Use a small flat screwdriver to release the latched tab and lift the wall plate away from the base.

1. Securely attach wall plate directly to the wall with concrete anchors (or construction adhesive). Orient the plate with the arrows pointing up.
2. Attach wall mount base to control panel - fit clips in control panel back (a), and slide up (b).
3. Secure base with a screw.
4. Insert cable plug in the jack and route cable down or up. An opening is available if the cable is routed down (a). There is a small knockout at the top of the mount that should be removed (b) to route the cable up.
5. Mount the panel on the wall plate by hanging it on the top tabs then rotating in and clipping into the bottom tab. Ensure the tab is fully engaged in the base's slot.

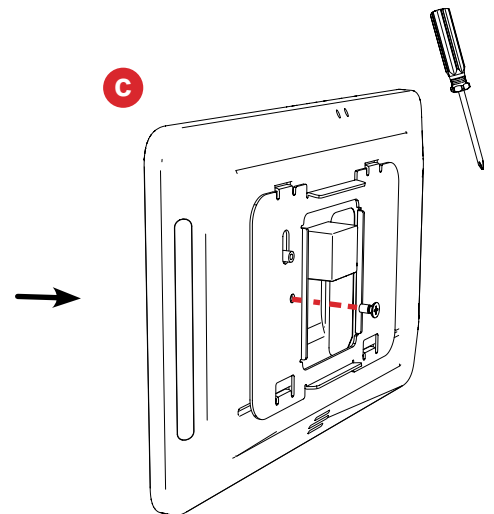
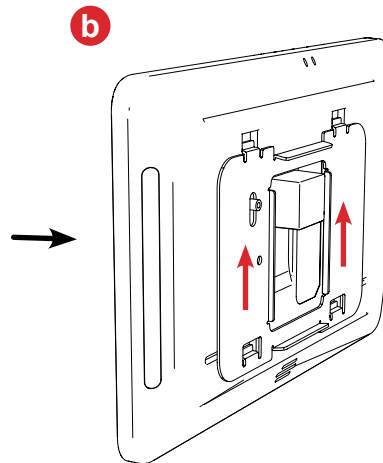
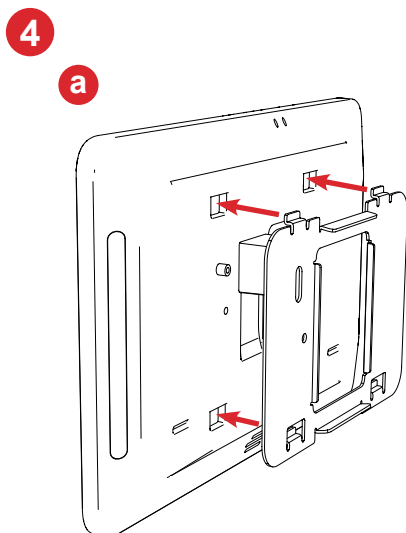
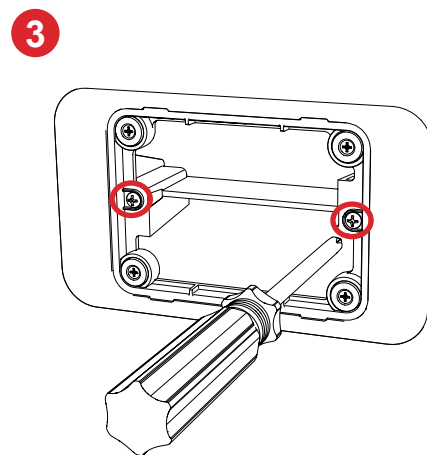
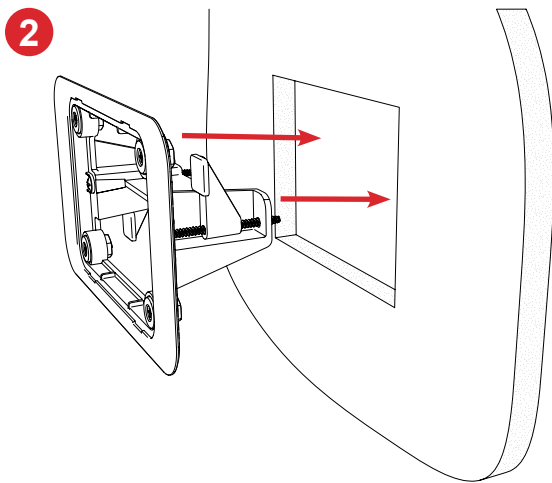
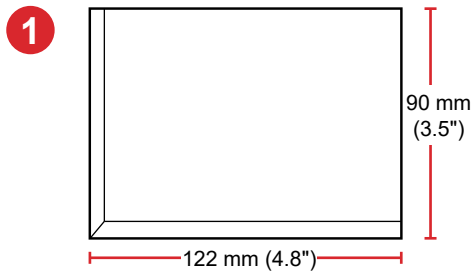
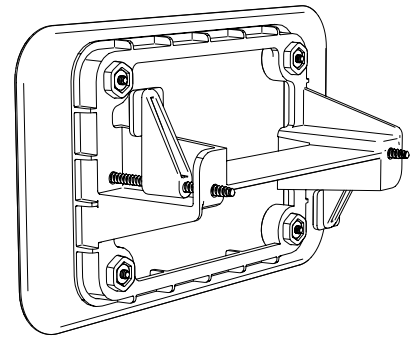


# LOW PROFILE MOUNT BRACKET (APPRIMO 8-WML)

## Installation

Network cabling must be routed to the desired panel location.

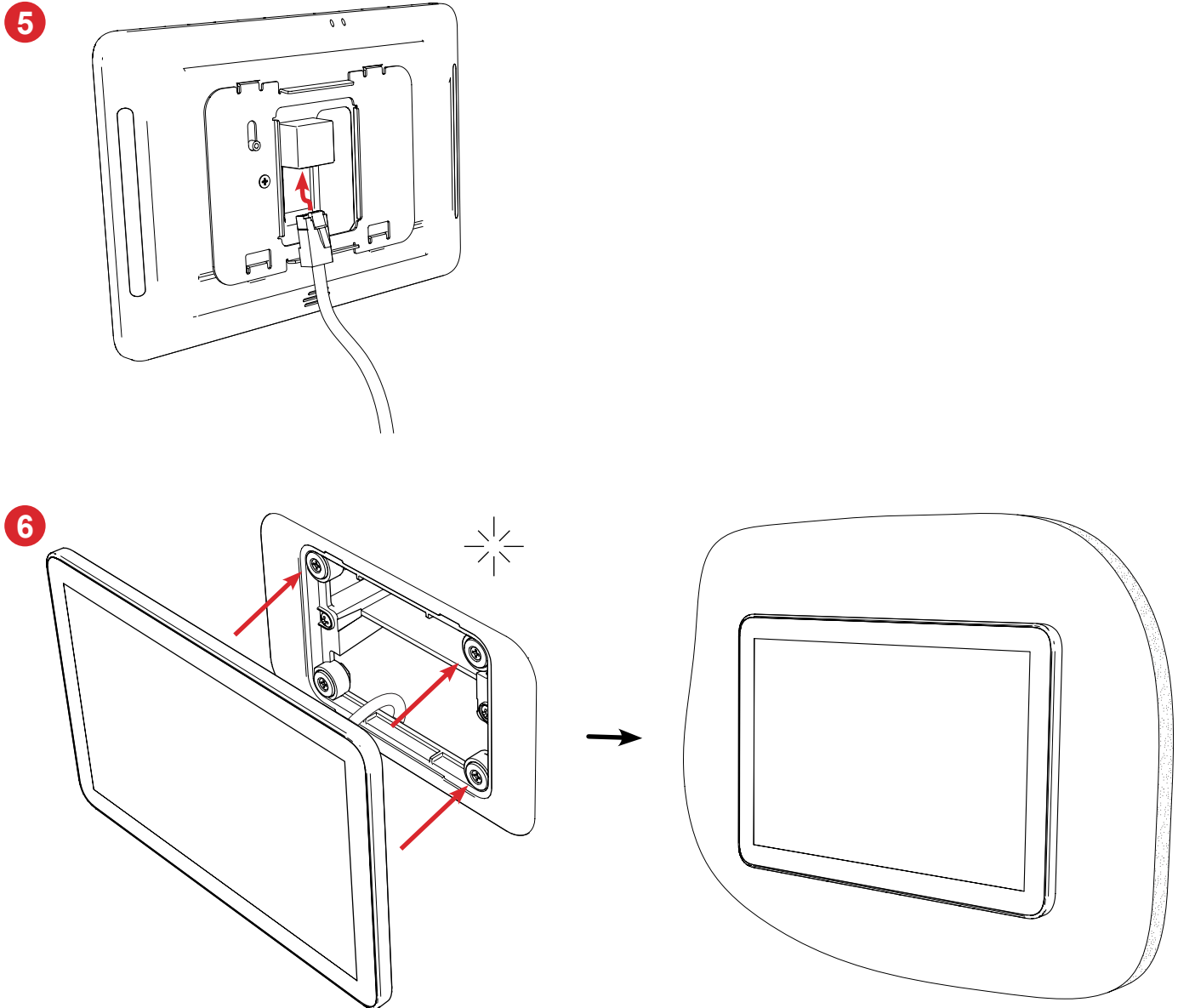
1. Cut a rectangular hole in the wall (drywall or sheet rock).  
Dimensions H x W: 90 x 122 mm (3.5 x 4.8")  
**Note:**The hole must have clearance of 25mm (1") on either side of the hole to accommodate the full clamp rotation.
2. Insert the bracket into the hole.
3. Screw the clamps down to secure the plate in the wall.
4. Attach baseplate to control panel - fit clips in control panel back (a), slide up (b), and secure with screw (c).



## LOW PROFILE MOUNT BRACKET (CONTINUED)

### Installation (continued)

5. Plug network cable in the back of the control panel and feed excess wire into the wall.
6. Position the panel's backplate aligned with, and against all four magnets in the low profile bracket. The panel will be held securely on the wall.





---

**CONTACT US**

Email: [support@biamp.com](mailto:support@biamp.com)

Warranty: [biamp.com/legal/warranty-information](https://biamp.com/legal/warranty-information)

Web: [support.biamp.com](https://support.biamp.com)

Safety & Compliance: [biamp.com/compliance](https://biamp.com/compliance)



**A:** 9300 S.W. Gemini Drive Beaverton, OR 97008 USA

**W:** [www.biamp.com](https://www.biamp.com)

17AUG2023