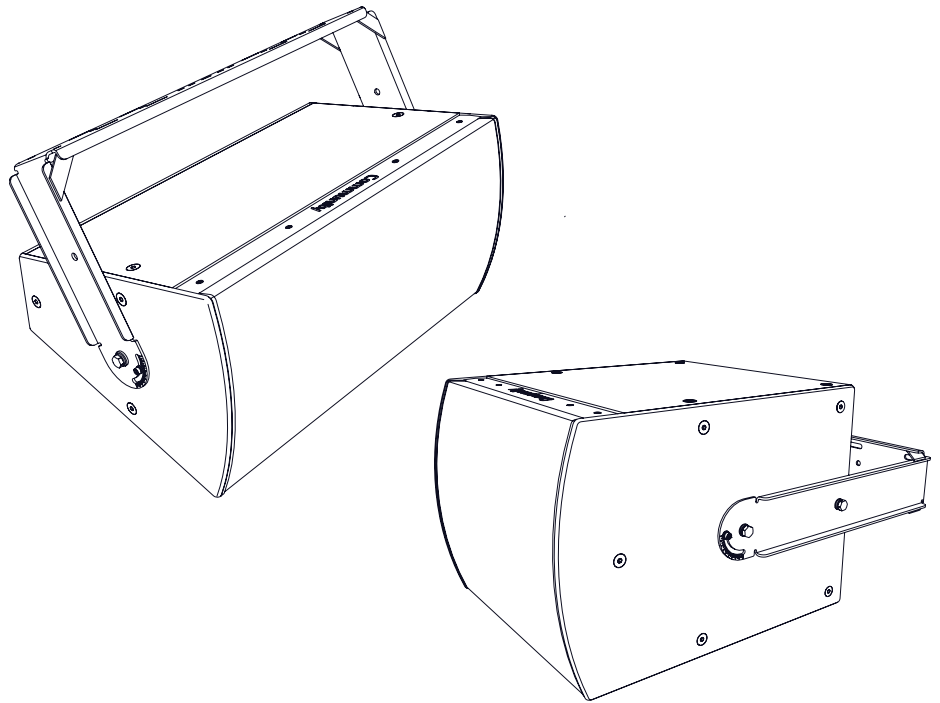


I SERIES

BalancePoint™ Flyware

For Point Source and
Subwoofer loudspeakers
models IP8, IP6, IS8, and IS6



IUB1122WRG

IUB1152WRG

IUB1153WRG

IUB0002WRG

IUB112SWRG

U-Brackets for the weather-resistant
IP6/8-1122WR, IP6/8-1152WR, IP8-1153WR,
IS6/8-112WR, IS6/8-115WR, IS6/8-118WR,
IS6/8-212WR, IS6/8-215WR, IS6/8-218WR

The BalancePoint™ Flyware Accessory Guide (a complete set of instructions for all of the BalancePoint™ Flyware Kits) is available on the Biamp website.

IMPORTANT SAFETY INSTRUCTIONS

Always follow these basic safety precautions when using or installing I SERIES loudspeakers and accessories:

- Read these instructions prior to assembly.
- Keep these instructions for reference.
- Heed all warnings.
- Follow all instructions, particularly those pertaining to rigging, mounting, hanging and electrical connections.
- Do not use this apparatus near water.
- Clean only with dry cloth.
- Do not block any ventilation openings. Install in accordance with the manufacturer's instruction.
- Do not install near any heat sources such as radiators, heat registers, stoves, light fixtures, or other apparatus (including amplifiers) that produce heat.
- Only use attachments and accessories that are specified and approved by the manufacturer.

Refer all servicing to qualified service personnel. Servicing is required when the apparatus has been damaged in any way, such as liquid has been spilled or objects have fallen into the apparatus, the apparatus has been exposed to rain or moisture, does not operate normally, or has been dropped.

The terms CAUTION, WARNING, and DANGER may be used in this manual to alert the reader to important safety considerations. If you have any questions or do not understand the meaning of these terms, do not proceed with installation. Contact your local dealer, distributor, or call Community directly for assistance. These terms are defined as:



CAUTION: describes an operating condition or user action that may expose the equipment or user to potential damage or danger.



WARNING: describes an operating condition or user action that will likely cause damage to the equipment or injury to the user or to others in the vicinity.



DANGER: describes an operating condition or user action that will immediately damage the equipment and/or be extremely dangerous or life threatening to the user or to others in the vicinity.

These installation instructions are for use by qualified personnel only. To reduce the risk of fire or electric shock do not perform any servicing other than that contained in the operating instructions unless you are qualified to do so.

RIGGING SAFETY / IMPORTANT NOTES

There are three primary areas of responsibility for rigging loudspeakers. The first is the building structure. Always consult with the building architect or structural engineer to assure the ability of the structure to support the loudspeaker system. The second area of responsibility is the loudspeaker itself. Community certifies its loudspeaker systems and rigging accessories for suspension when they are properly installed according to our published guidelines. The third area of responsibility is everything between the loudspeaker and the building structure and the actual process of installation. The installing contractor assumes this responsibility. Loudspeaker rigging should be performed only by certified rigging professionals using certified rigging hardware chosen for the specific application. Prior to installation, the contractor should present a rigging plan, with drawing and detailed parts list, to a licensed structural engineer (P.E.) or architect for written approval.



IMPORTANT: I SERIES loudspeakers are designed and intended to be mounted to differing building surfaces using a variety of rigging hardware, means and methods. Installation of loudspeakers should only be performed by trained and qualified personnel. All electrical connections must conform to applicable city, county, state, and national (NEC) electrical codes.



DANGER: All rigging fittings must be fully tightened and secured. Any missing fasteners or parts will compromise the structural integrity of the enclosure and constitute a safety hazard. Over-tightening (crushing the wood) should be avoided as well. Do not suspend the loudspeaker unless all fasteners are securely in place!



IMPORTANT: The flat head bolts that come installed in each enclosure must remain in place or be replaced by a threaded fastener from an array bracket. The bolts attach to internal metal brackets that are critical to the structural integrity and rated Safe Working Load (SWL) of each point and each array assembly. Failure to include a fastener in every location could lead to serious injury, or even death.



DANGER: I SERIES rigging fittings are rated at a Working Load Limit (WLL) of 150 lbs (68 kg) with a 10:1 safety margin. No single rigging fitting should ever be subjected to a load that is greater than this stated limit. Failure to heed this warning could result in injury or death!



DANGER: No more than three (3) full-range and two (2) subwoofers should be on any single connected configuration. Do not exceed the Safe Working Load (500 lbs [226.8 kg]) of the assembly. Loudspeaker weights are provided on the last page of this manual.

UNPACKING / INSPECTION

Community I SERIES loudspeakers are engineered and manufactured to be rugged and they are carefully packed in sturdy cartons. However, it is recommended to thoroughly inspect each unit after it has been removed from the packaging, as damage could occur during shipping.

Please note that once the shipment has left your dealer or the Community factory, the responsibility for damage is always borne by the freight company. If damage has occurred during shipping, you must file a claim directly with the freight company. It's very important to contact the freight company as soon as possible after receiving your shipment, as most freight companies have a short time limit within which they will investigate claims. Make sure to save the carton and the packing material, as most claims will be denied if these materials are not retained. Your Community dealer and the factory will try to help in any way they can, but it is the responsibility of the party receiving the shipment to file the damage claim.

It is always a good idea to retain the carton and packing materials, if possible, in the event that the unit may need to be returned to your dealer or distributor for repair in the future.



CAUTION: Installation of I SERIES loudspeakers should only be performed by trained and qualified personnel. It is strongly recommended that a licensed and certified professional structural engineer approve the mounting. Severe injury and/or loss of life may occur if this product is improperly installed.

U-BRACKETS

IUB1122WRG - U-Bracket for IP6/8-1122WR, IS6/8-212WR

IUB1152WRG - U-Bracket for IP6/8-1152WR

IUB1153WRG - U-Bracket for IP8-1153WR, IS6/8-215WR,
IS6/8-218WR

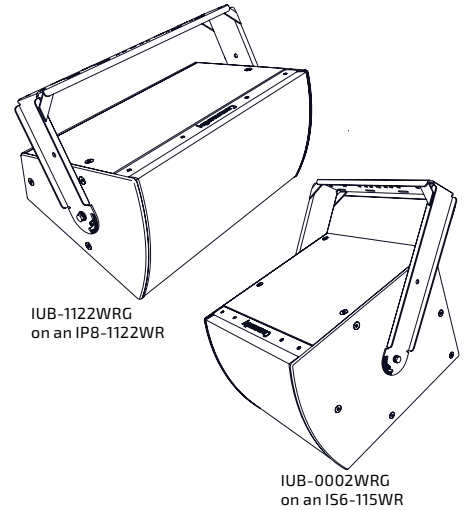
IUB0002WRG - U-Bracket for IS6/8-115WR, IS6/8-118WR

IUB112SWRG - U-Bracket for IS6/8-112WR

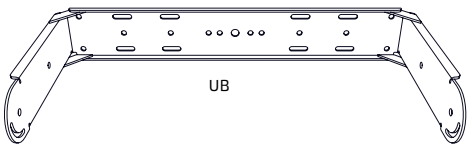
APPLICATION: Mount and aim single loudspeakers from ceilings, walls, trusses, floors, etc in portrait or landscape orientation.

Before assembly: Adhere the rubber washers to the inside of the yoke (aligned with cabinet mounting points).

Note: The yoke can be attached to the building structure and then the loudspeaker can be installed later.



Parts:



UB: U-Bracket

Hardware:

Qty	Code	Description
4	HH1-4	10 x 40 mm Hex Hd Bolts
4	HW1	10 mm Flat Washers
4	HL1	10 mm Lock Washers
4	HW8-4	8mm ID x 40mm OD Black Rubber Washer
2	HS6	6 x 35 mm Socket Hd Bolts
2	HW6	6 mm Flat Washers
2	HL6	6 mm Lock Washers
2	HW.25	1/4" ID x 5/8" OD Black Rubber Washer

IMPORTANT: The WR U-brackets can only be used with I SERIES WR models.

Kit Weights:

IUB1122WRG: 16.0 lb (7.3 kg)

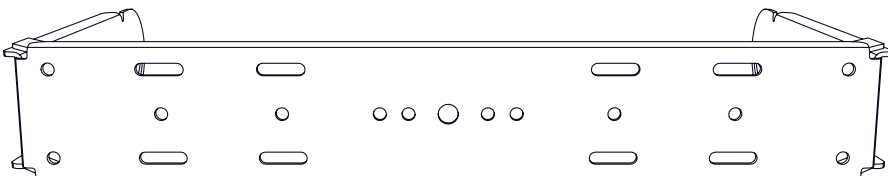
IUB1152WRG: 17.0 lb (7.7 kg)

IUB1153WRG: 22.0 lb (10.0 kg)

IUB0002WRG: 17.0 lb (7.7kg)

IUB112SWRG: 10.0 lb (4.5 kg)

Mounting Detail



Trapezoid Cabinet Installation (IP6/8) or Center Point Subwoofer Connection (IS6/8)

1

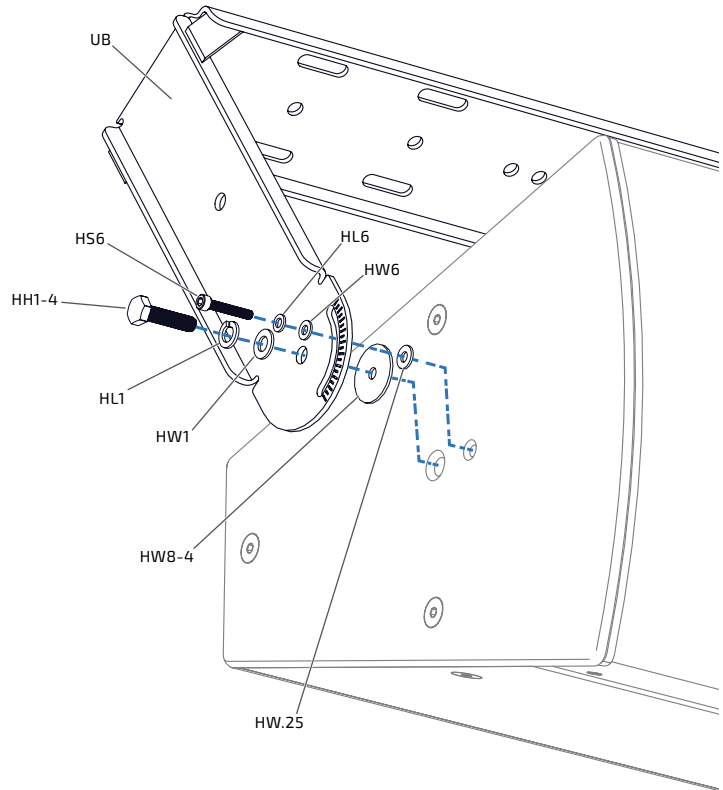
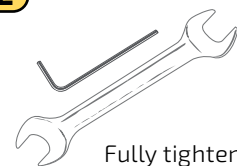


Figure 1. Remove middle cabinet bolts and attach yoke to cabinet

2



Fully tighten all connections

U-BRACKETS

Rigid Mount Subwoofer Installation IS6/IS8

APPLICATION: Suspend and aim single Subwoofers in outward facing or down fire applications.

Before assembly: Adhere the large rubber washers to the inside of the yoke (aligned with cabinet mounting point). Adhere the smaller 1/4" ID washers to the cabinet over the 6mm holes.

Note: The yoke can be attached to the building structure and then the loudspeaker can be installed later.

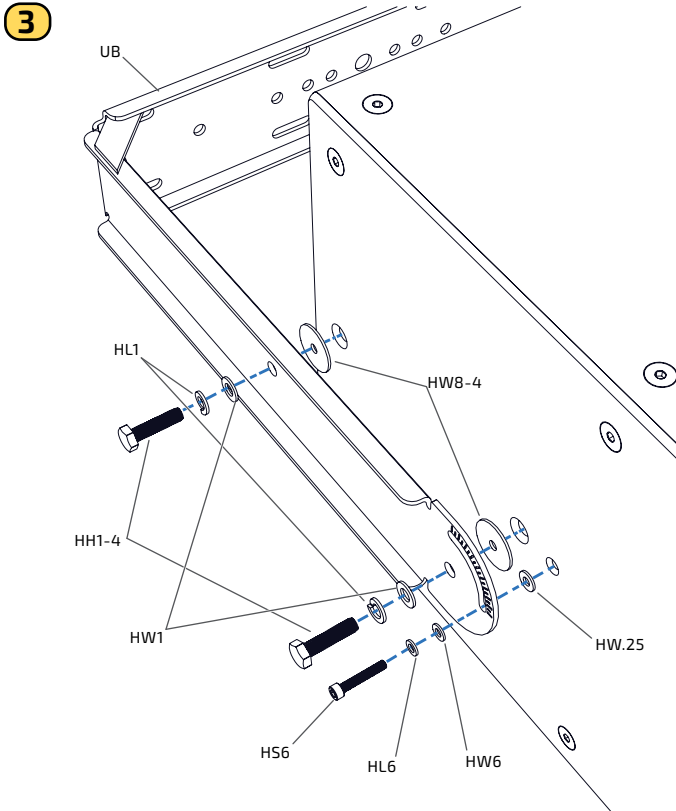
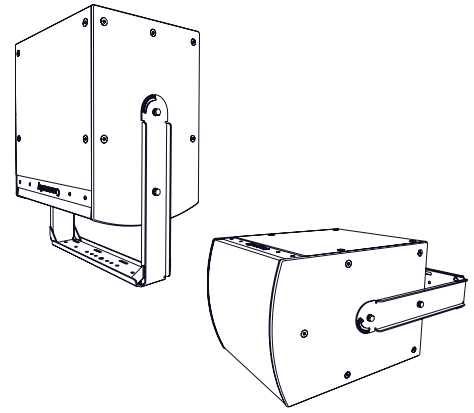


Figure 3. Rear Wall or Ceiling Mount: Remove middle and rear center cabinet bolts and attach yoke to cabinet

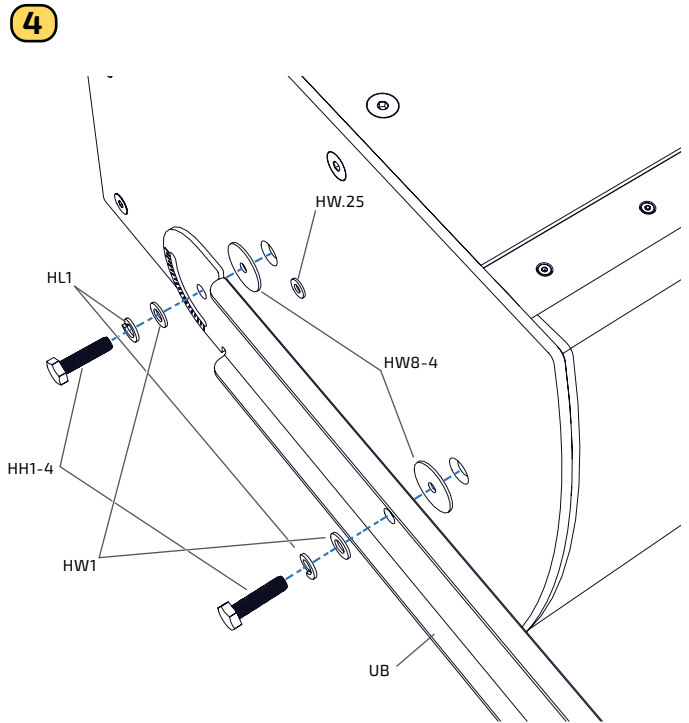


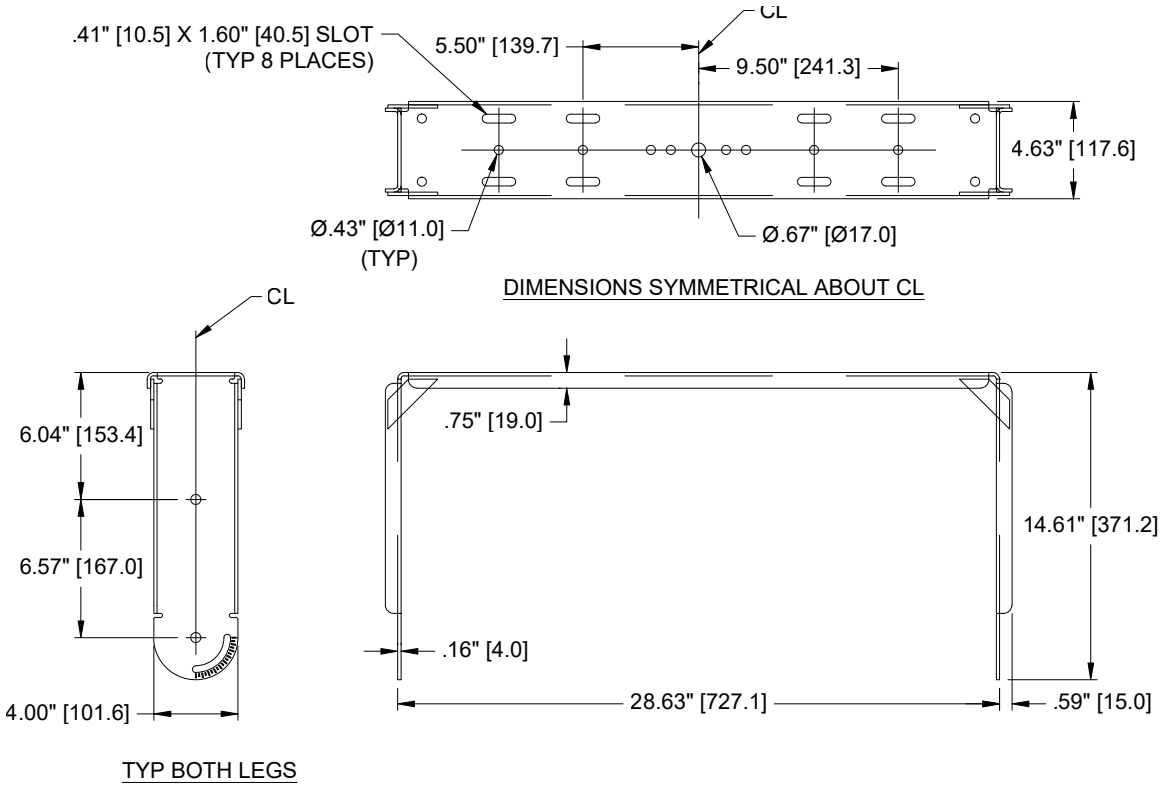
Figure 4. Down Fire Mount: Remove middle and front center cabinet bolts and attach yoke to cabinet (Block the small 6mm hole with HW.25 washer to seal it)

	Rotatable / Pivot for wall or pole mount Max rotation of yoke: IS6/8-212 = 35° IS6/8-218 = 45°		Rigid Down Fire Mount: Center and front center points on each end
	Rigid Wall or Ceiling Mount: Center and rear center points on each end		Alternative Down Fire Mounting for larger models - use (2) yokes and mount to forward mounting points - arrows.

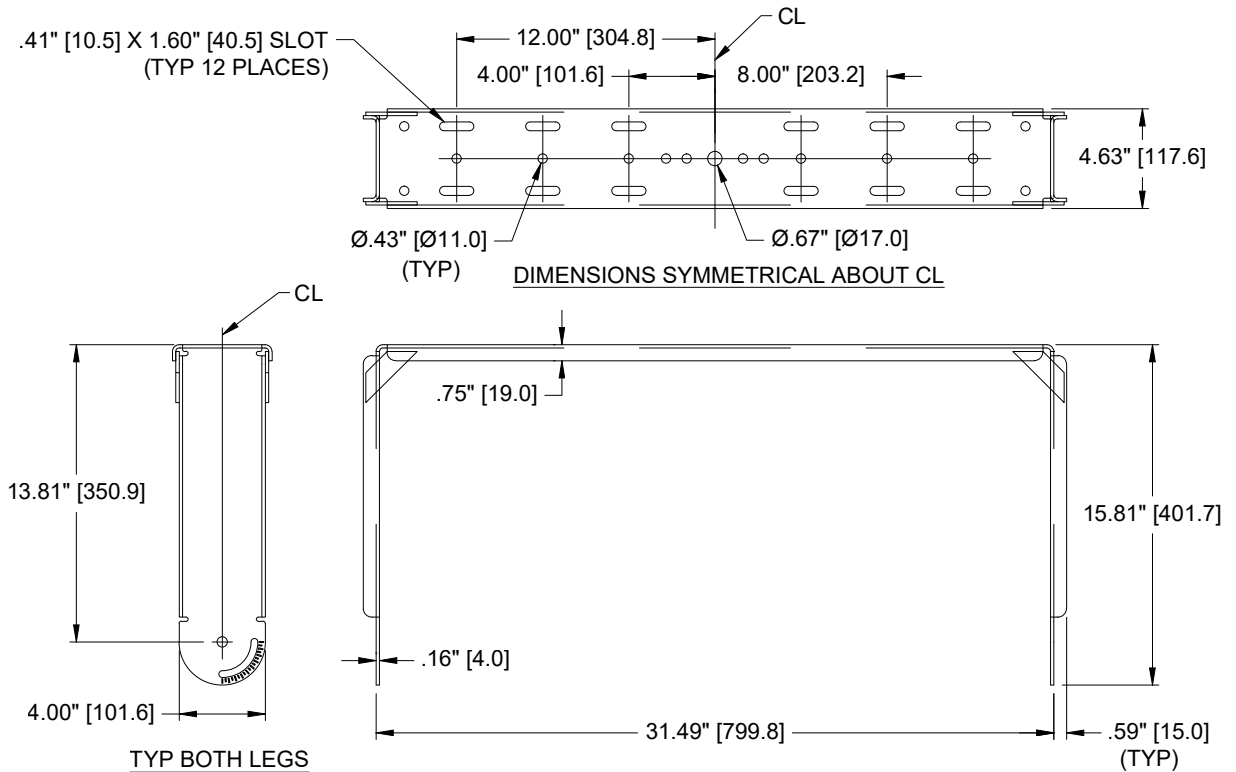


TECHNICAL DRAWINGS

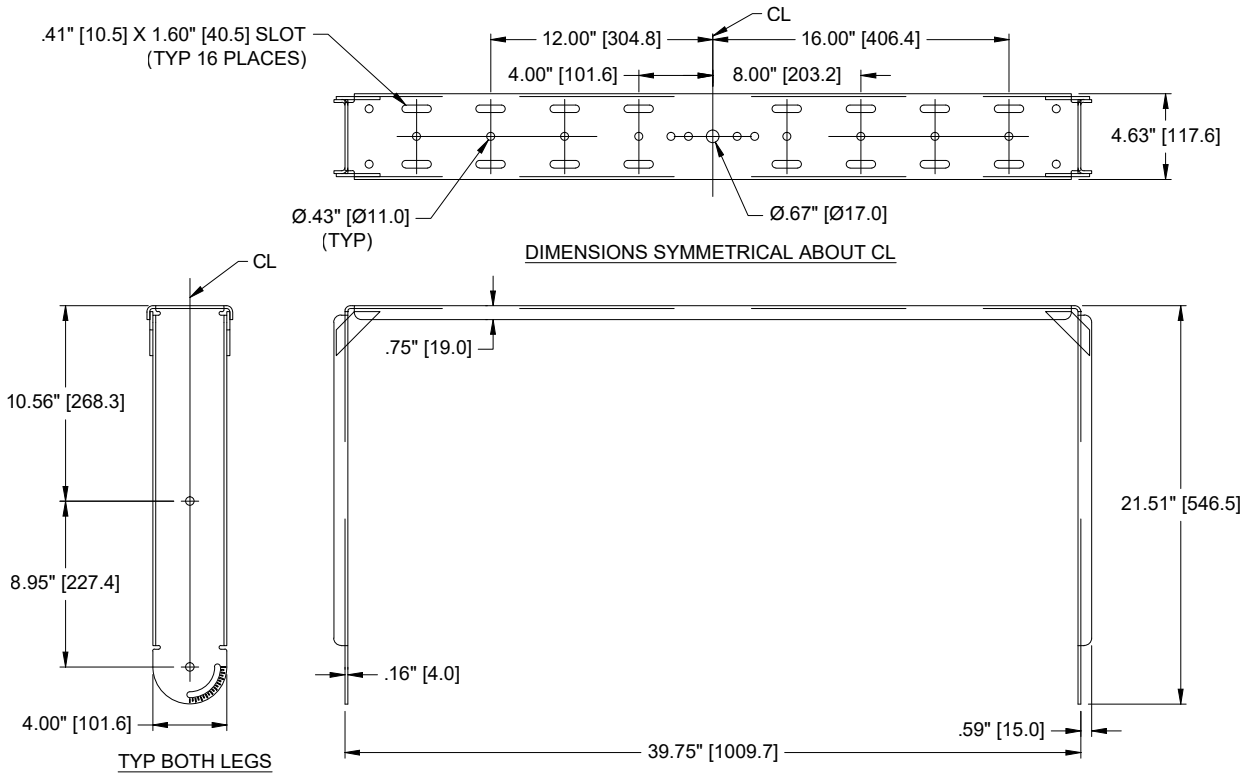
IUB1122WRG - U-BRACKET FOR WEATHER-RESISTANT IP6/8-1122 FULL RANGE MODELS AND IS6/8-212 SUBWOOFERS



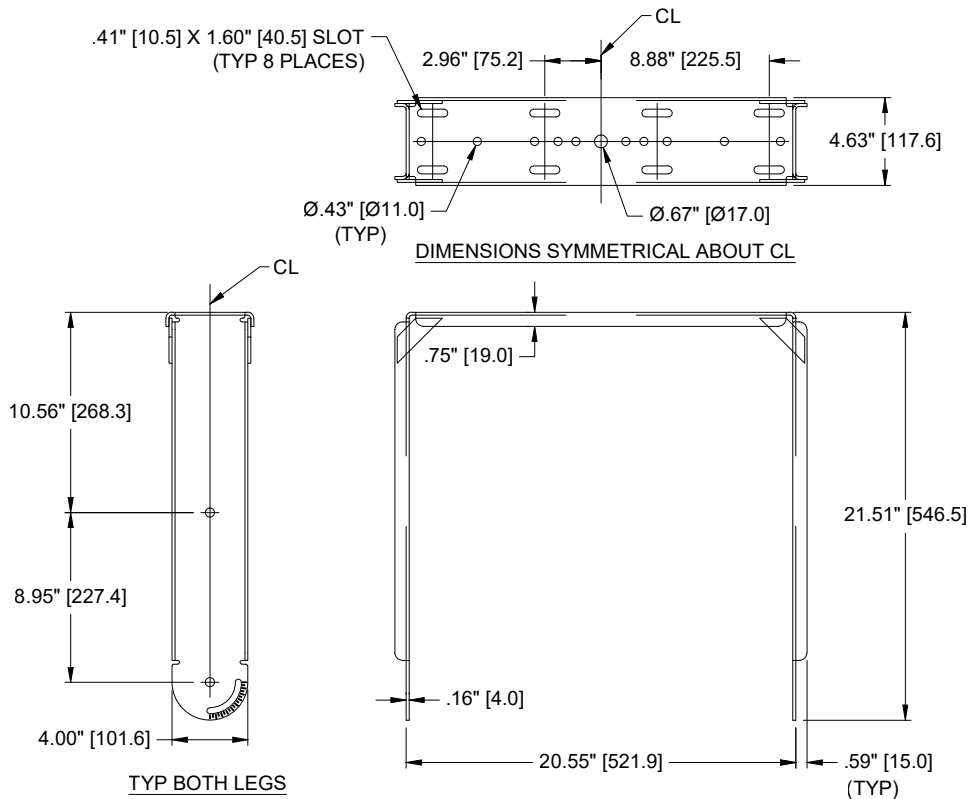
IUB1152WRG - U-BRACKET FOR WEATHER-RESISTANT IP6-1152 AND IP8-1152 MODELS



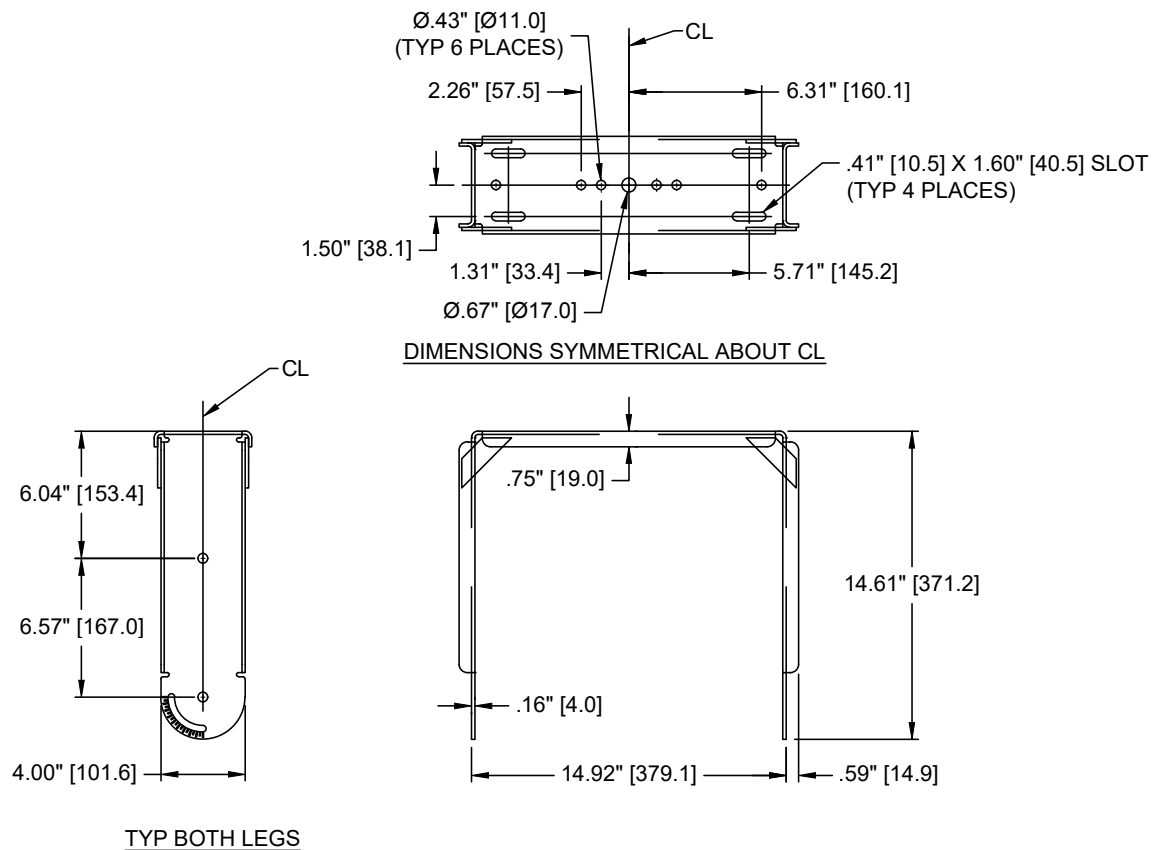
IUB1153WRG - U-BRACKET FOR WEATHER-RESISTANT IP8-1153 FULL RANGE MODELS AND IS6/8-215 OR IS6/8-218 SUBWOOFERS



IUB0002WRG - U-BRACKET FOR WEATHER-RESISTANT IS6/8-115 AND IS6/8-118 SUBWOOFERS



IUB112SWRG - U-BRACKET FOR WEATHER-RESISTANT IS6/8-112 SUBWOOFERS



HELPFUL INSTALLATION TIPS

- Assemble the horizontal arrays on the ground (or lifting surface) and then lift the entire assembly into place. Large vertical arrays should be assembled top down - lifting each component and attaching it in order. Smaller vertical arrays can be assembled on the ground and then flown.
- Assemble any arrays with the differing models (horn/coverage patterns) in the correct configuration.
- If the cabinets are horizontal, keep the input panels all on the same side for wiring ease, whenever possible.
- To determine the approximate splay or array angles prior to installation, use simulation software such as EASE®. Document those values, and preset the angles on the hinges and splay brackets as they are attached to the cabinets.
- Fully tighten the connections as each assembly is finished without deforming the cabinet surface.
- Contact our Loudspeaker Support Group for additional guidance by email: support@biamp.com.

GENERAL ASSEMBLY INFORMATION

The BalancePoint™ Flyware kits for the I SERIES loudspeakers are modular and can be combined in a number of ways. The most common configuration of each kit is shown along with instructions for assembly.

Hardware and Parts: There is a key at the beginning of each instruction that shows the parts, their quantity and abbreviation. We also use a shortened code for the hardware that offers an easy reference to the type, diameter and approximate length.

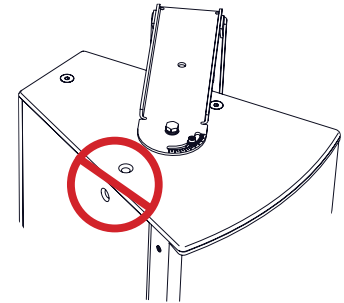
ex: HW1 = Hardware Washer 10mm;
HH1-4 = Hardware, Hex head bolt, 10 x 40mm



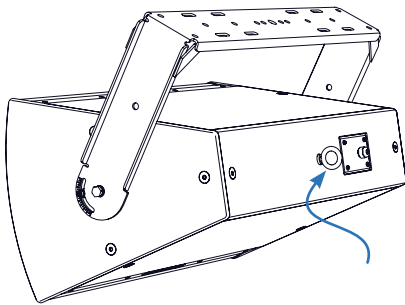
IMPORTANT: The flat head bolts that come installed in each enclosure must remain in place or be replaced by a threaded fastener from an array bracket. The bolts attach to internal metal brackets that are critical to the structural integrity and rated Safe Working Load (SWL) of each point and each array assembly. Failure to include a fastener in every location could lead to serious injury, or even death.

TOOLS NEEDED FOR ASSEMBLY:

- Metric socket and ratchet set
- Metric wrench set
- Metric hex key set



The loudspeaker enclosure must have fasteners in all threaded holes



Typical placement for safety cable and hardware (eyebolt not included)

SAFETY CABLES



IMPORTANT: Attach a safety cable to one of the unused mounting points on the loudspeaker (and/or the bracket assembly). Safety cables must be secured to a suitable load-bearing point separate from the loudspeaker mounting point, with as little slack as possible, oriented to minimize dynamic swinging of the load, so as not to develop undue shock or kinetic force if the loudspeaker mount were to fail. Safety cables and hardware are not included. Please consult a structural engineer for the appropriate cables, hardware, and location(s) for the load and application.

LOUDSPEAKER WEIGHTS

FULL-RANGE	600 Level [lbs (kg)]	800 Level [lbs (kg)]	SUBWOOFER	600 Level [lbs (kg)]	800 Level [lbs (kg)]
IP6/8-1122WR	52.0 (23.6)	42.0 (19.1)	IS6/8-112WR	53.0 (24.0)	47.0 (21.3)
IP6/8-1152WR	63.0 (28.6)	52.0 (23.6)	IS6/8-115WR	62.0 (28.1)	56.0 (25.4)
IP8-1153WR	-	80.0 (36.3)	IS6/8-118WR	75.0 (34.0)	76.0 (34.5)
			IS6/8-212WR	81.0 (36.7)	69.0 (31.3)
			IS6/8-215WR	98.0 (44.5)	86.0 (39.0)
			IS6/8-218WR	131.0 (59.4)	133.0 (60.3)