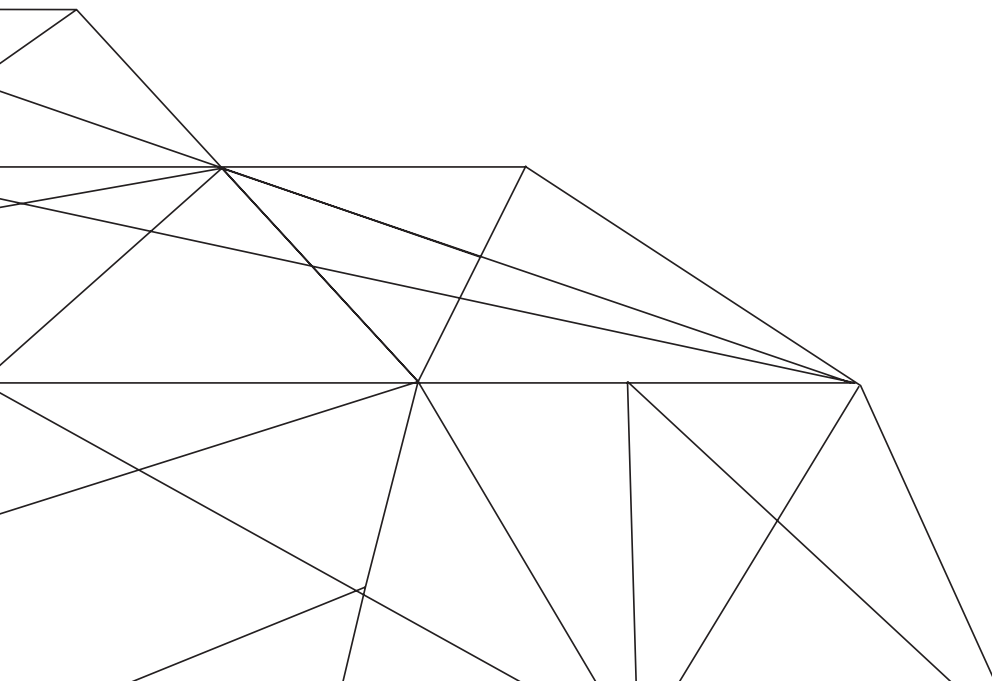


devio

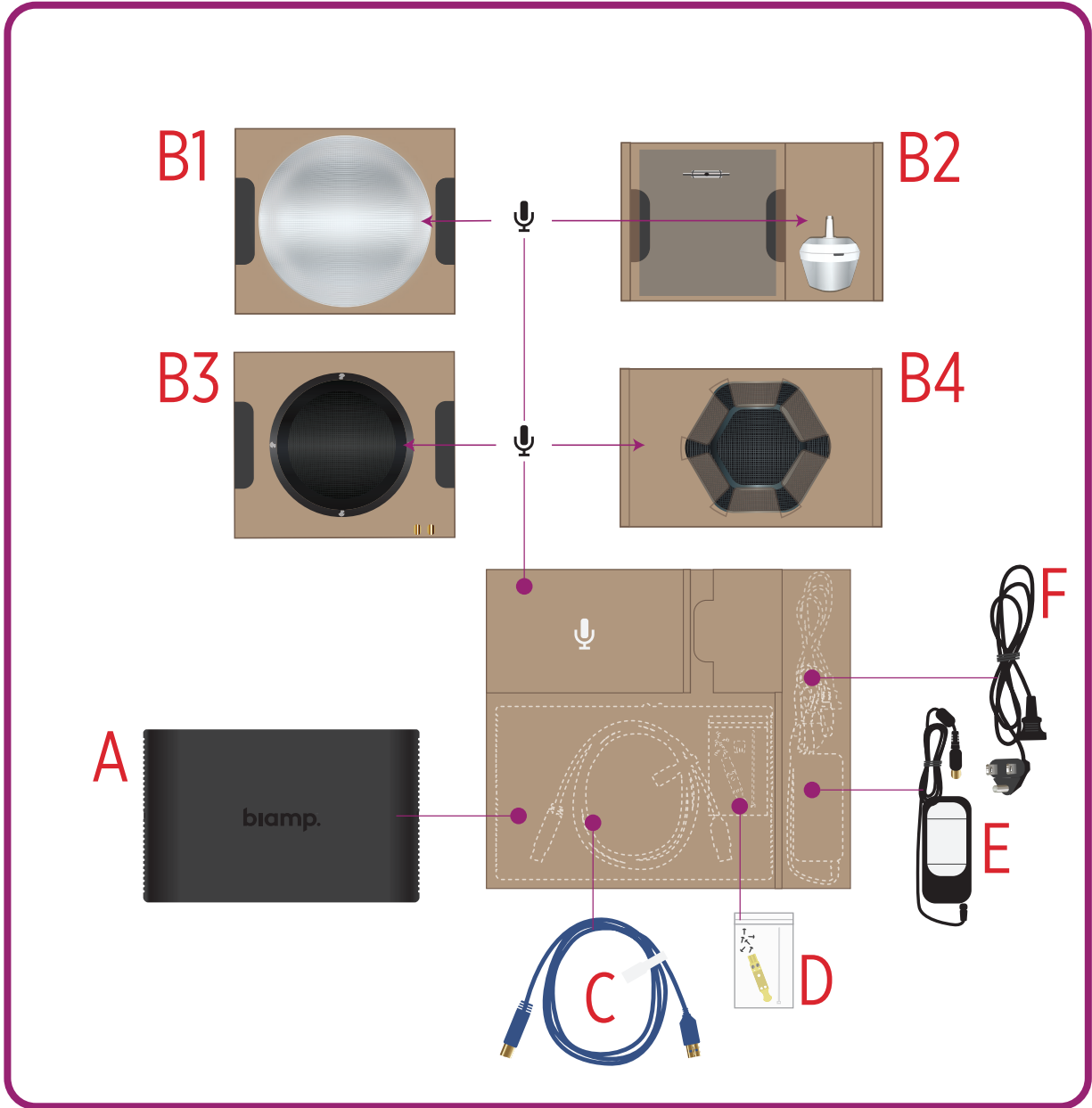
INSTALLATION GUIDE



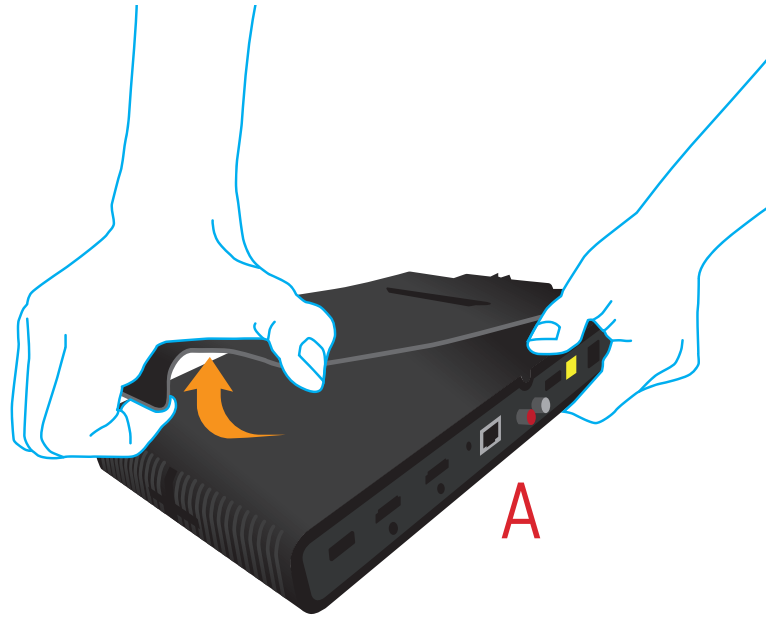
biamp.

585.0398.900
AUGUST 2019

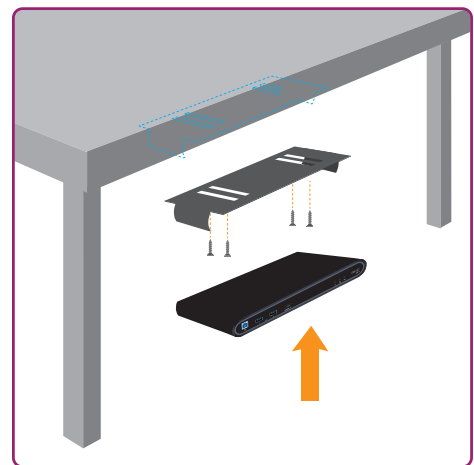
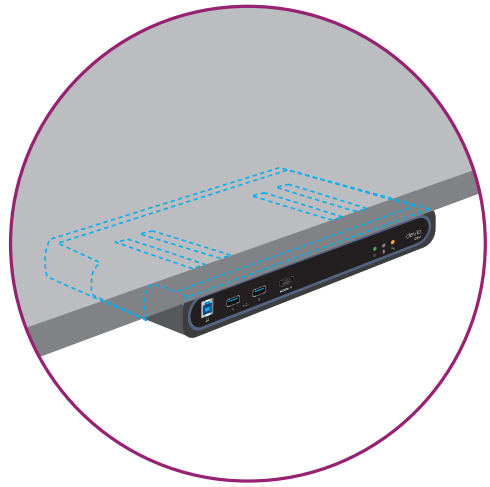
1



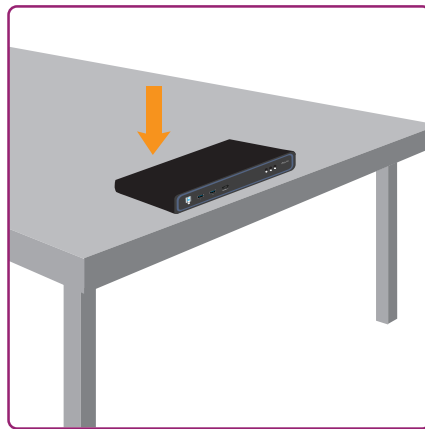
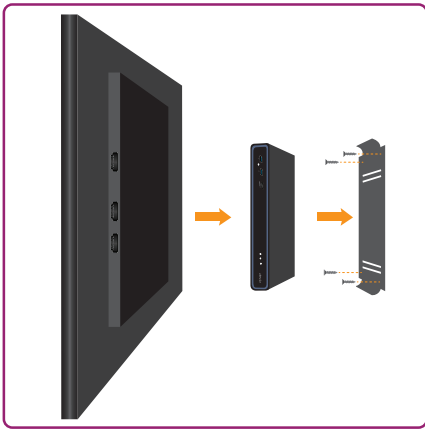
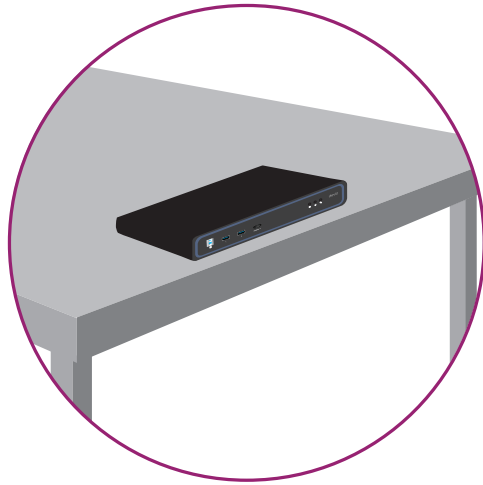
2 |



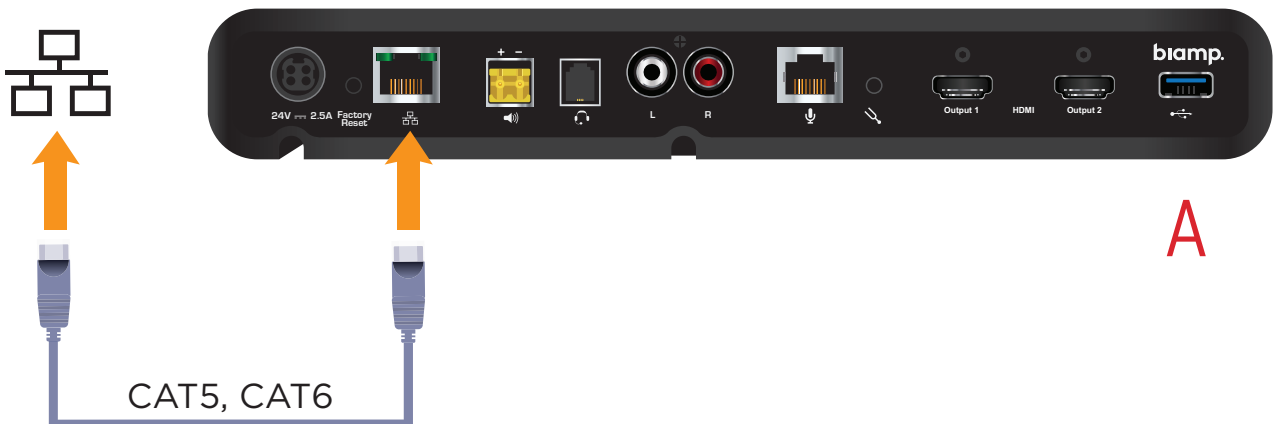
3 | 



3 |

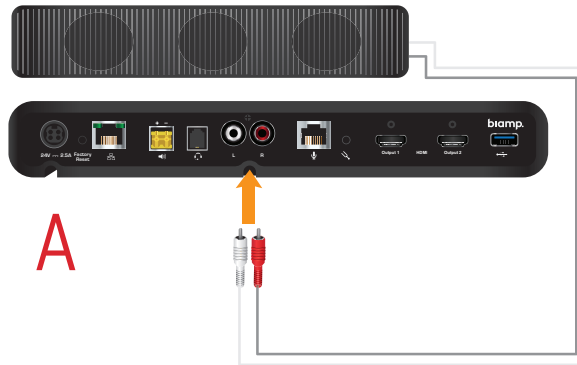


4 |



5 |

SCR-20/SCR-25

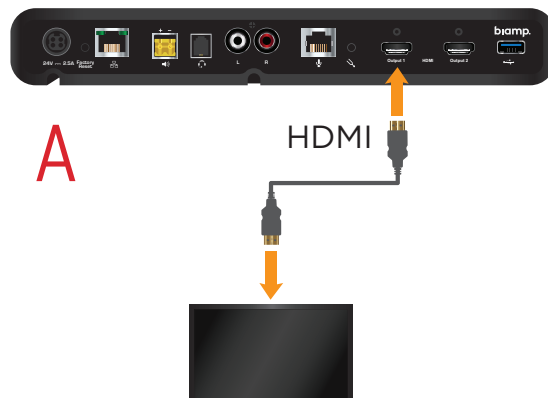


SCR-20/SCR-25

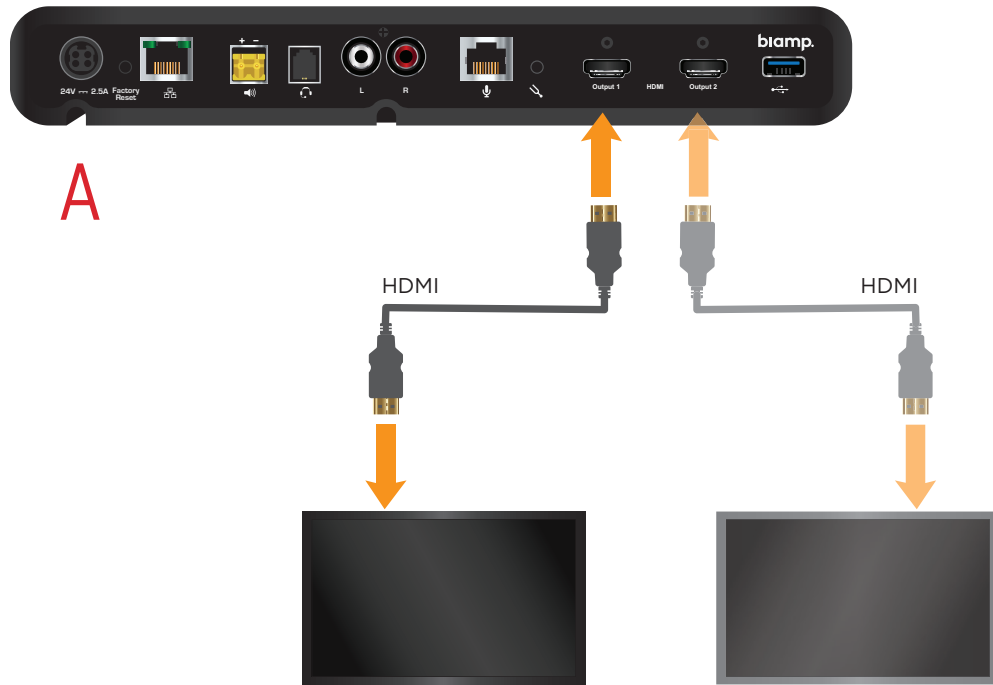


6 |

SCR-20/SCR-25

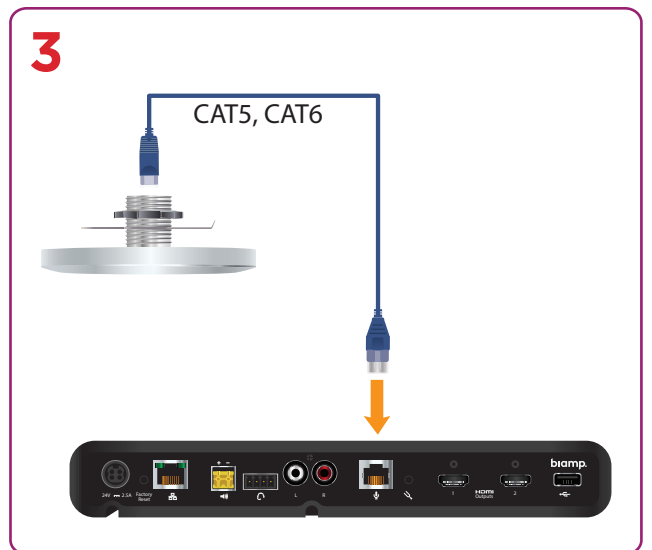
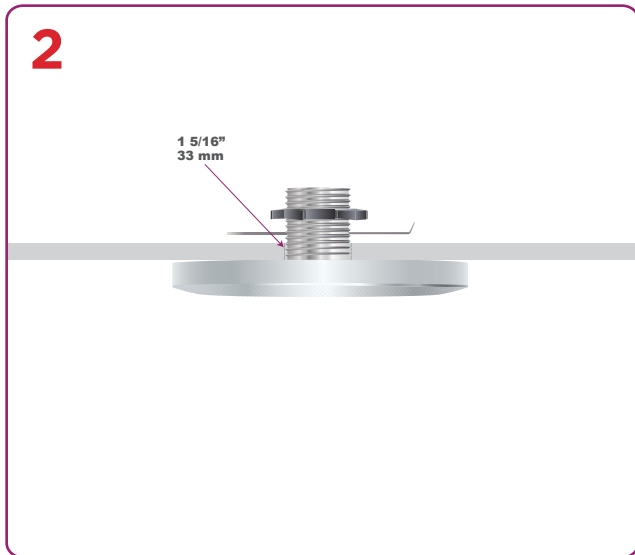
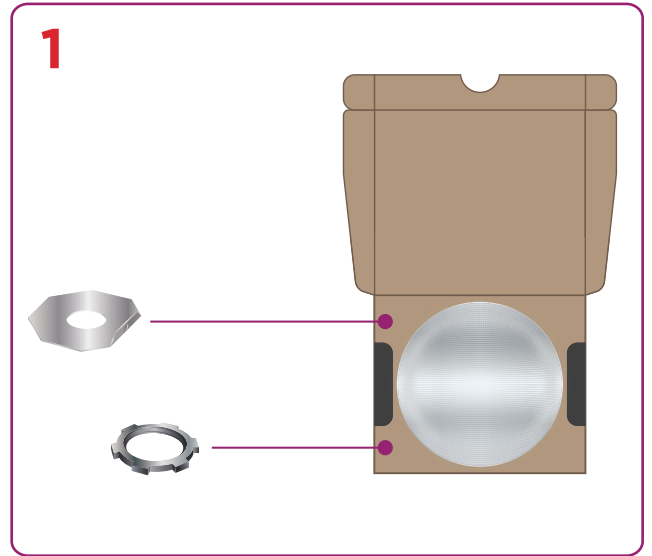
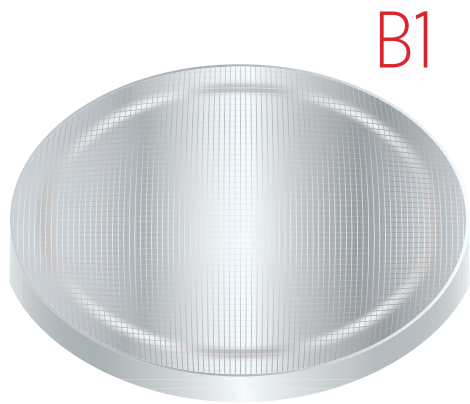


6

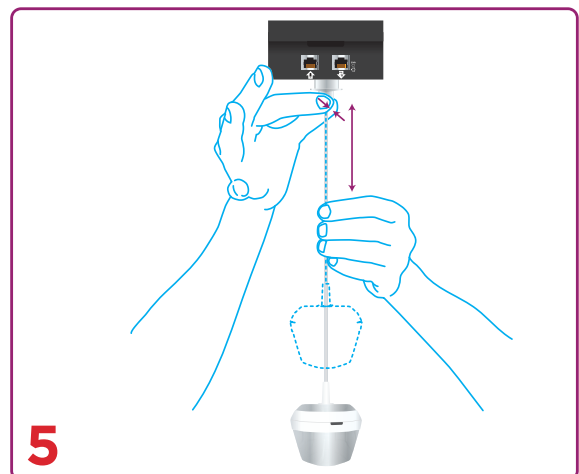
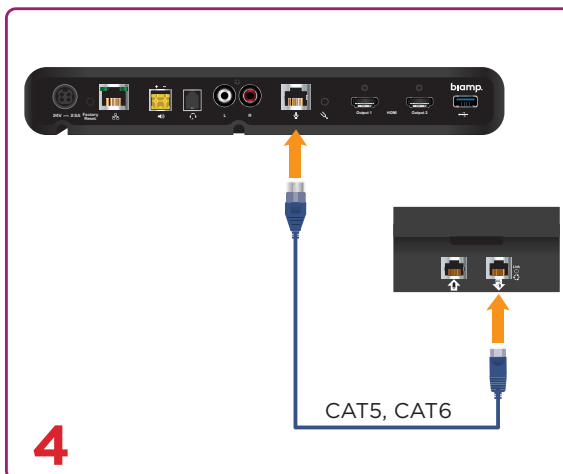
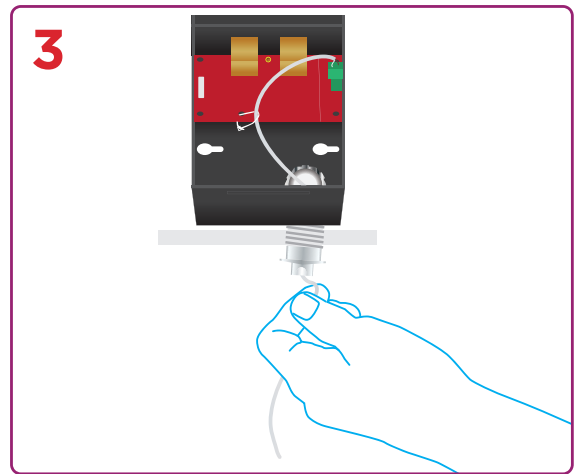
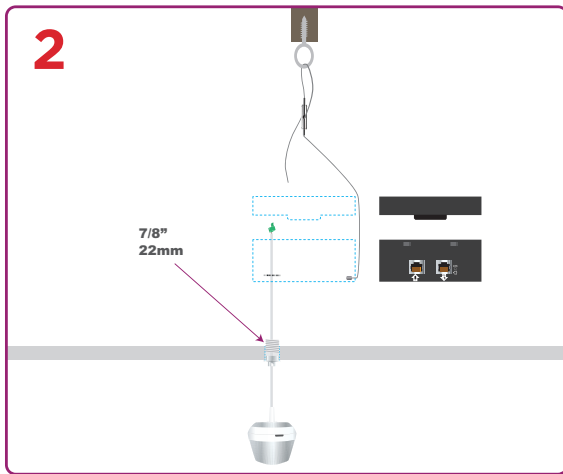
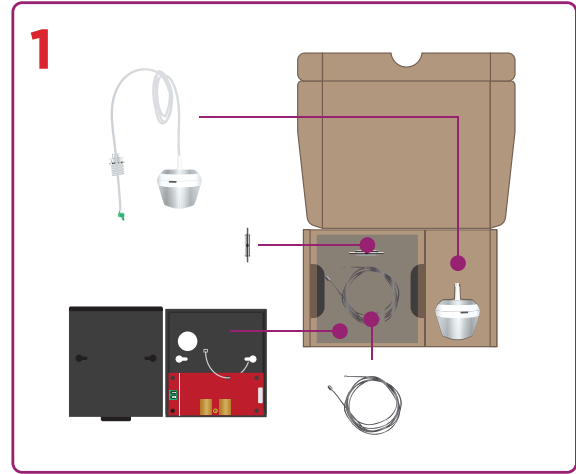


7



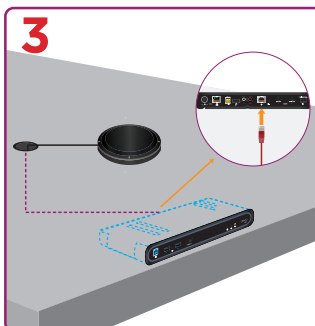
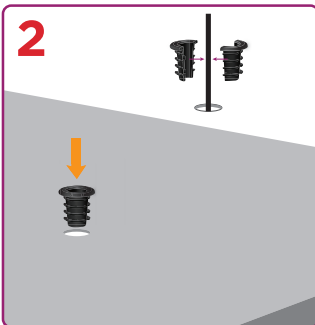
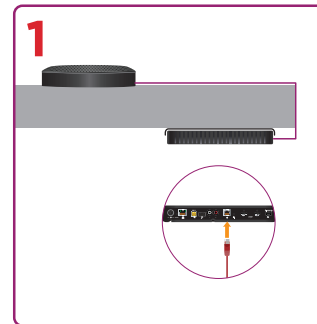
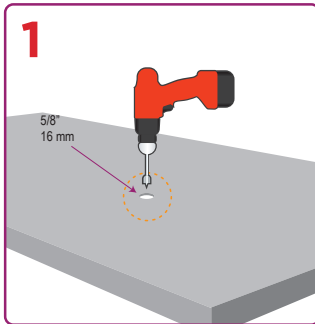
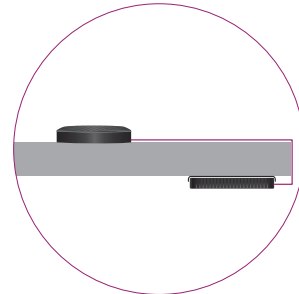
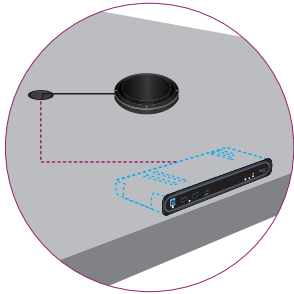
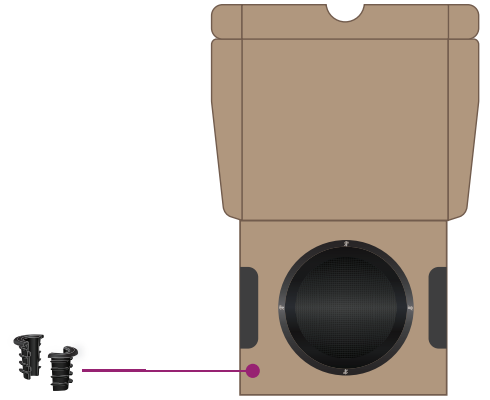
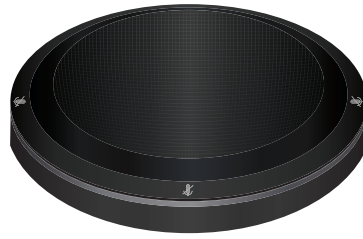


8B |

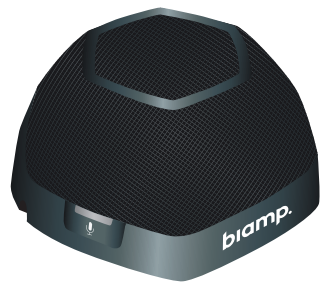


8C

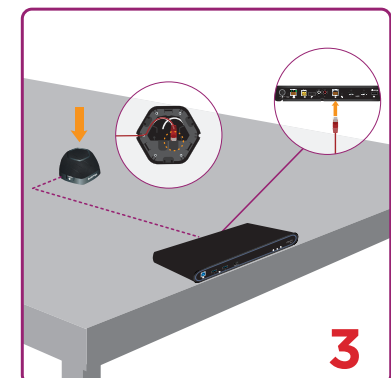
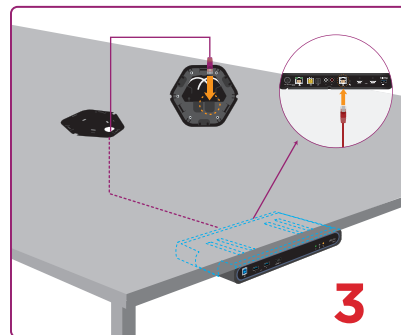
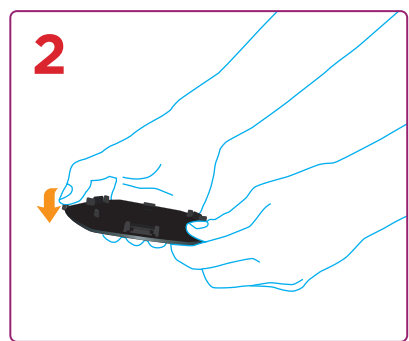
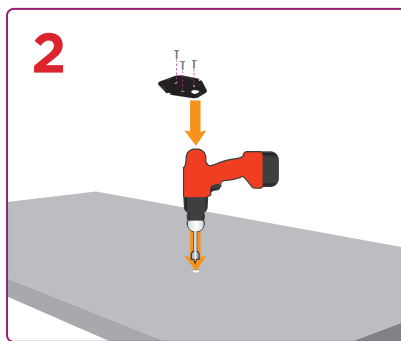
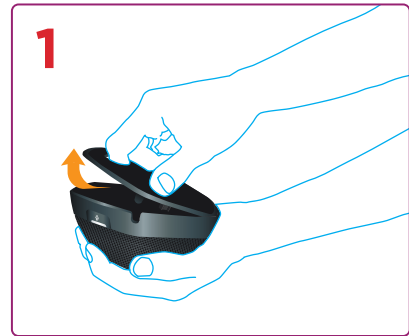
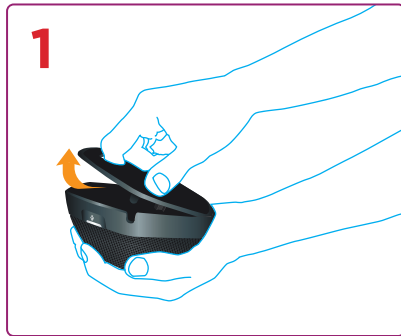
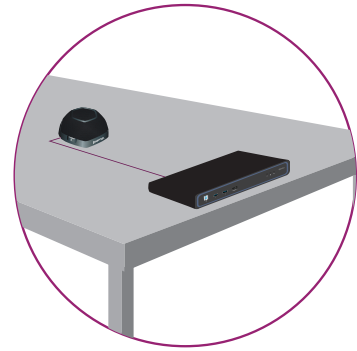
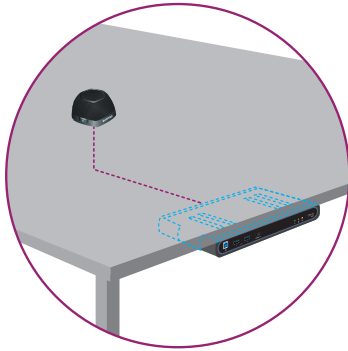
B3



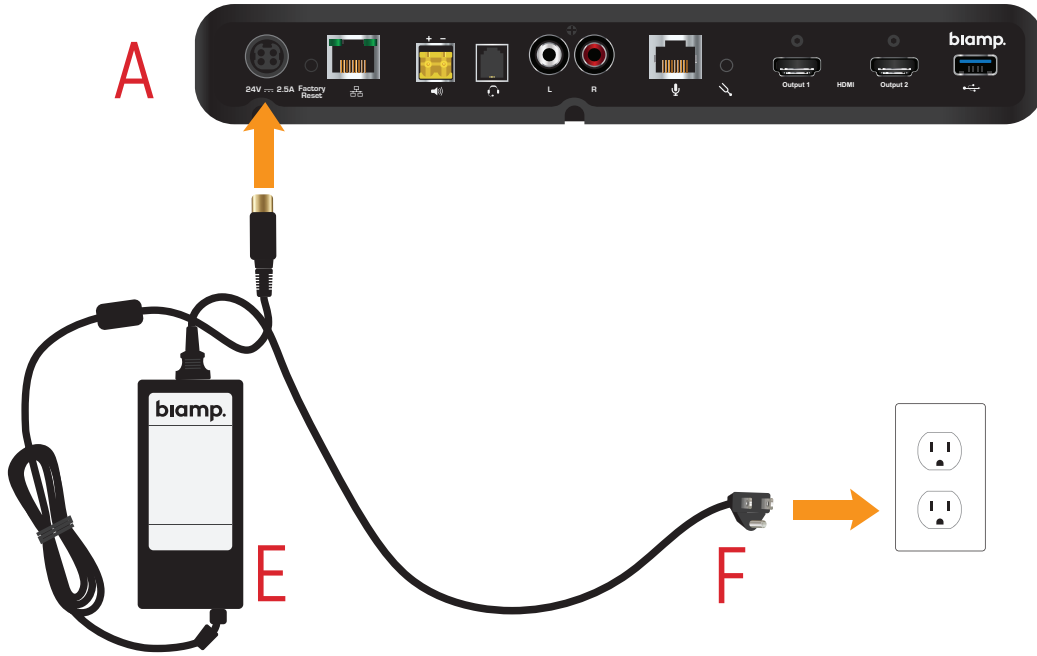
8D



B4



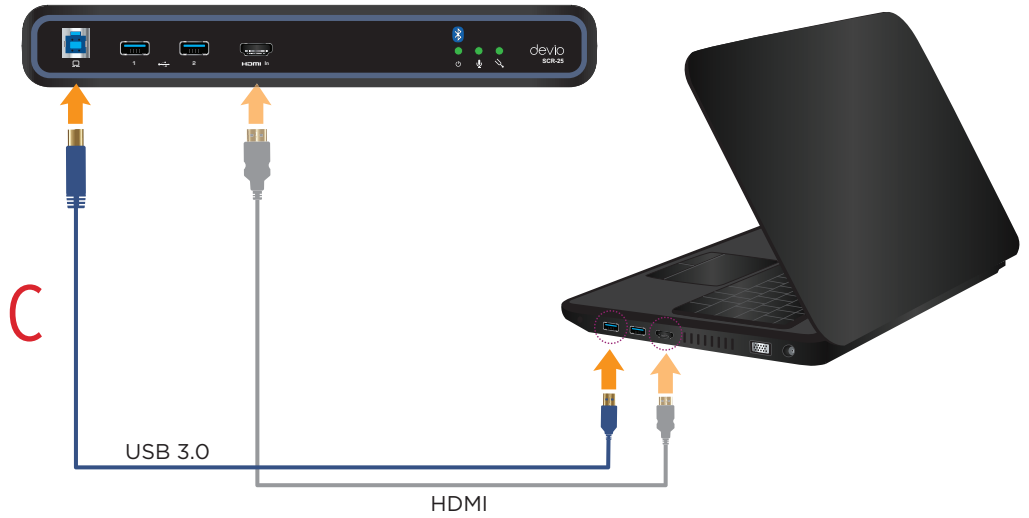
9 |



10 |



11A



11B



12



bia.mp/deviosetup



MOV



SW/FW



PDF

