

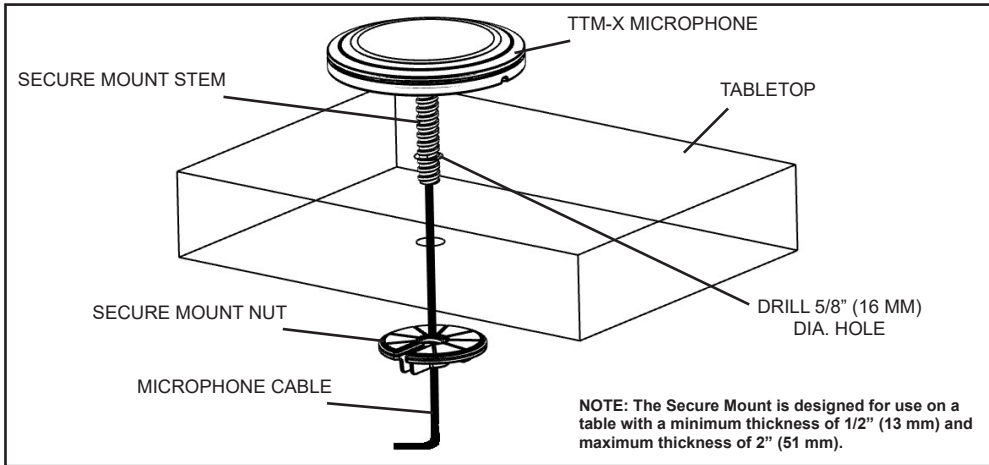
Secure Mount (TTM-X-SM)

Tabletop Installation

- A) TTM-X Microphone
- B) Alignment Pin
- C) Alignment Hole
- D) Secure Mount Stem
- E) Mounting Screws (x4)
- F) Secure Mount Nut

585.0010 10NOV2021

INSTALLATION INSTRUCTIONS



1. Cut a 5/8 inch (16 mm) hole through the tabletop where the microphone is to be located.
2. Place the Secure Mount stem onto the bottom of the microphone, align the alignment hole with the alignment pin, and then attach with the included screws.
3. Run the microphone cable through the stem of the Secure Mount.
4. Feed the cable, then the stem through the hole in the table.
5. Slide the Secure Mount nut over the microphone cable and thread it onto the Secure Mount stem from the underside of the table.
6. Attach the microphone connector into the RJ-45 socket on the under-table network box.