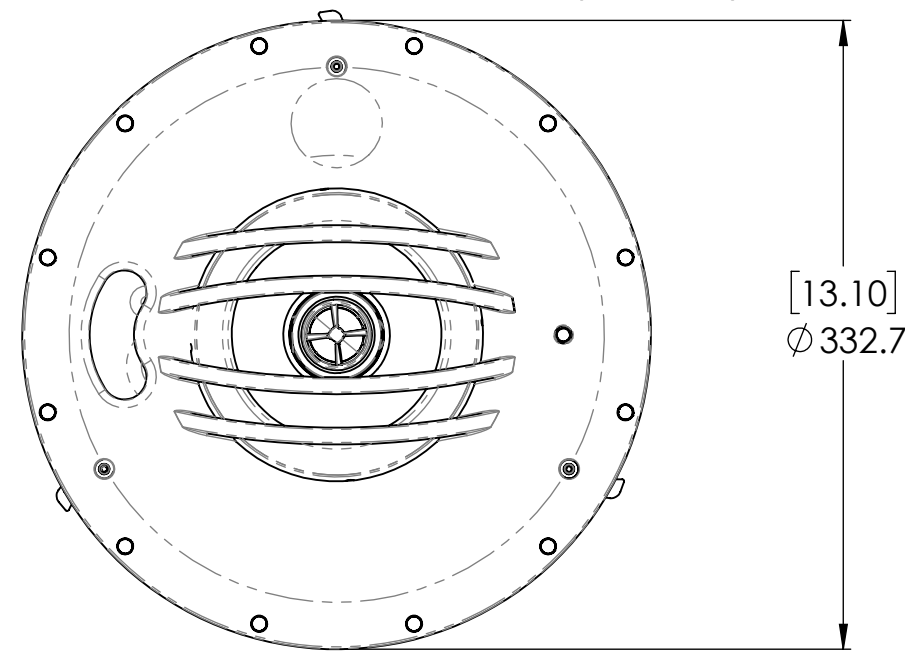


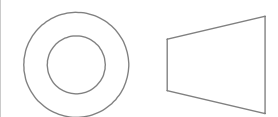
ELECTRICAL CONDUIT KNOCKOUT FOR SIZES:
1/2" NPT (21.34 MM), M20 (20.0 MM), AND
PG13.5 (20.4 MM)

MOUNTING CLAMP GRIP RANGE
(CLAMPS SHOWN AT MAXIMUM HEIGHT)



MINIMUM FIRST ARTICLE REQUIREMENT
BIAMP APPROVED FAI REPORT, RoHS AND
REACH MATERIAL CONTENT DECLARATION,
BEFORE INITIAL PRODUCT SHIPMENT.

THIRD ANGLE PROJECTION



UNLESS OTHERWISE SPECIFIED: DIMENSIONS ARE IN MM [IN]		PROPRIETARY AND CONFIDENTIAL THE INFORMATION DISCLOSED HEREIN WAS ORIGINATED BY AND IS THE PROPERTY OF BIAMP SYSTEMS AND EXCEPT FOR THE RIGHTS EXPRESSLY GRANTED TO THE UNITED STATES GOVERNMENT, BIAMP SYSTEMS RESERVES ALL PATENT, PROPRIETARY, DESIGN USE, SALE, MANUFACTURING AND REPRODUCTION RIGHTS THERETO.		biamp. TITLE: <h1>C-IC6LP</h1>	
SIZE	MATERIAL	COMMENTS:			
FINISH	COLOR	DO NOT SCALE DRAWING	SCALE: 1:4	VERSION: 5	SHEET 1 OF 1
		SIZE B	DWG. NO.	REV	