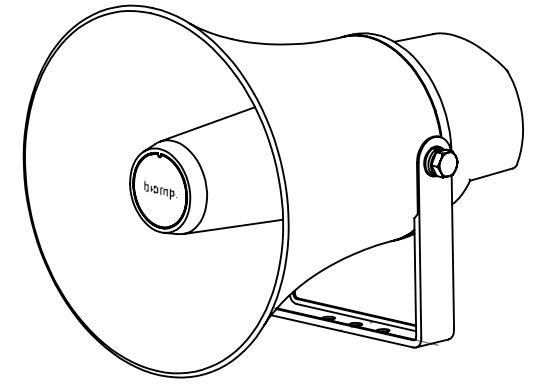


8 7 6 5 4 3 2 1

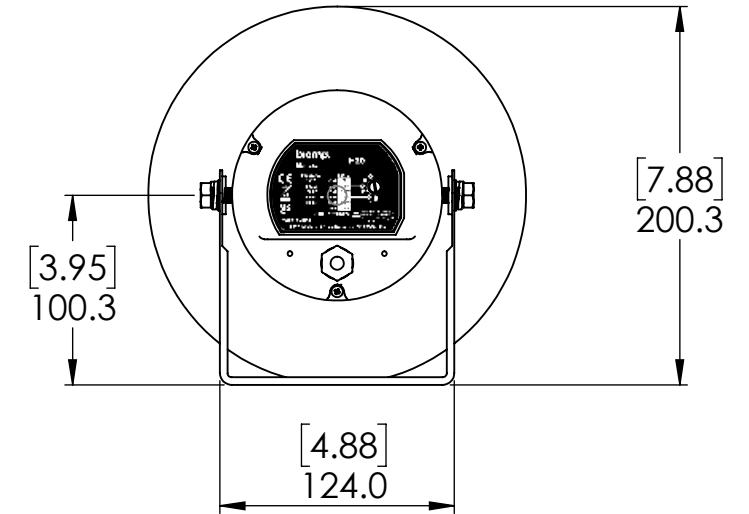
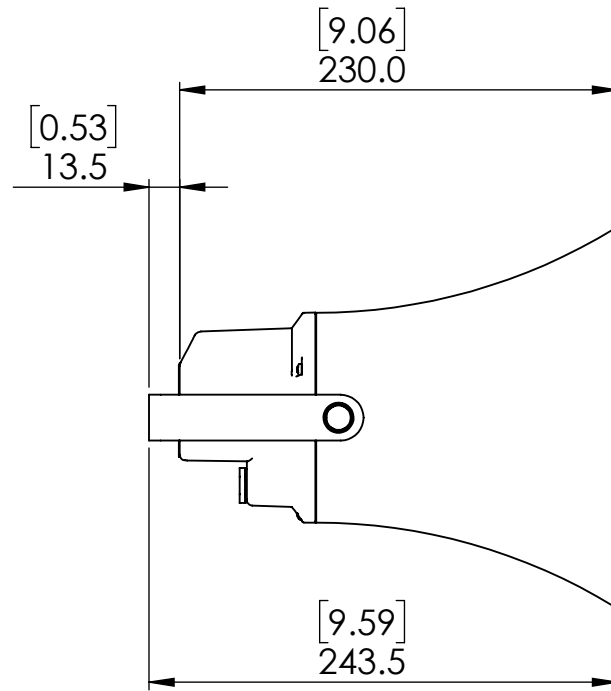
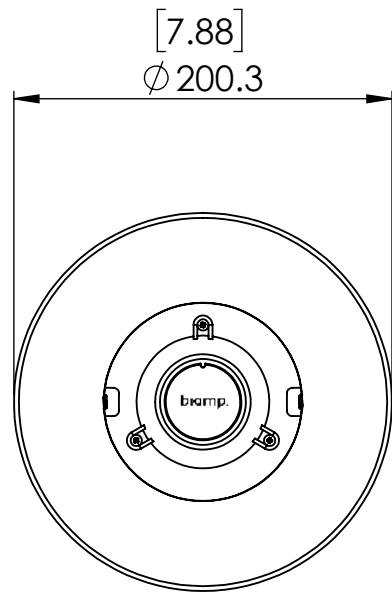
D

D



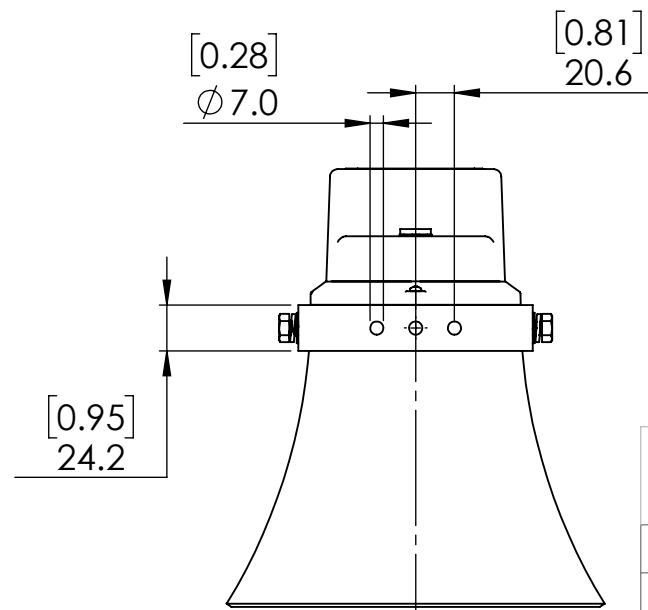
C

C



B

B

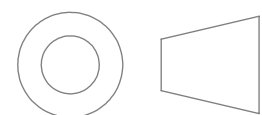


A

A

MINIMUM FIRST ARTICLE REQUIREMENT
BIAMP APPROVED FAI REPORT, RoHS AND REACH MATERIAL CONTENT DECLARATION, BEFORE INITIAL PRODUCT SHIPMENT.

THIRD ANGLE PROJECTION



UNLESS OTHERWISE SPECIFIED: DIMENSIONS ARE IN MM [IN]		PROPRIETARY AND CONFIDENTIAL THE INFORMATION DISCLOSED HEREIN WAS ORIGINATED BY AND IS THE PROPERTY OF BIAMP SYSTEMS AND EXCEPT FOR THE RIGHTS EXPRESSLY GRANTED TO THE UNITED STATES GOVERNMENT, BIAMP SYSTEMS RESERVES ALL PATENT, PROPRIETARY, DESIGN USE, SALE, MANUFACTURING AND REPRODUCTION RIGHTS THERETO.		biamp.	
		TITLE:		H20-G	
SIZE		COMMENTS:		SIZE	DWG. NO.
MATERIAL				B	
FINISH					REV
COLOR		DO NOT SCALE DRAWING		SCALE: 1:4	VERSION: 3
					SHEET 1 OF 1

8 7 6 5 4 3 2 1