

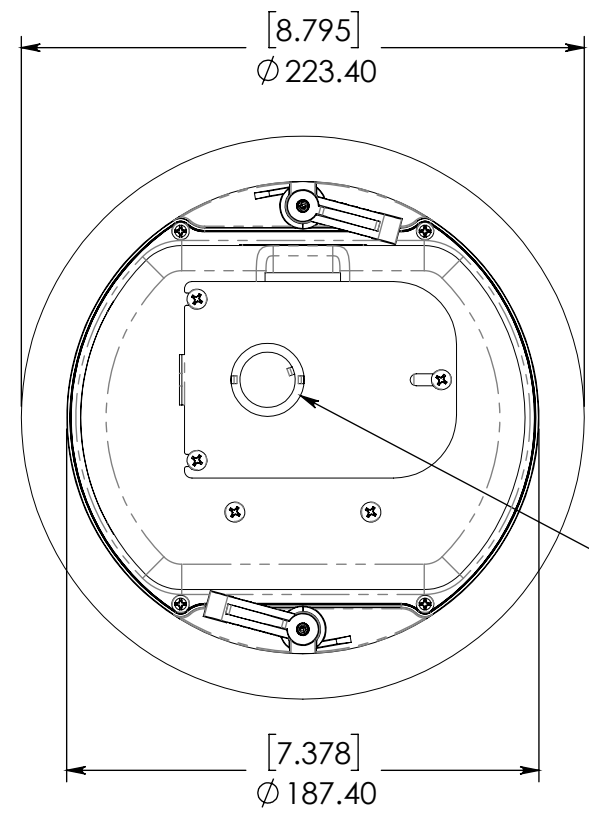
8 7 6 5 4 3 2 1

D

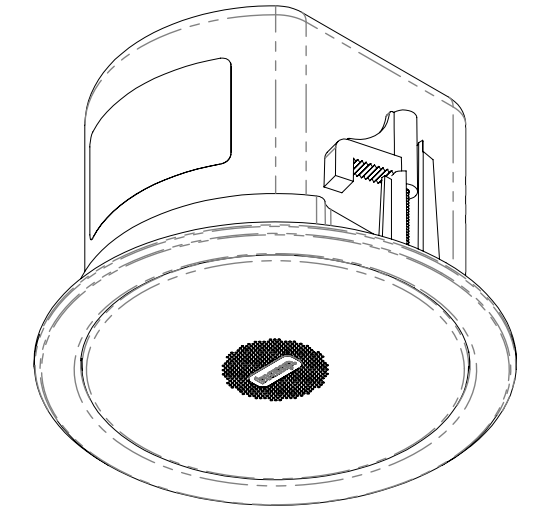
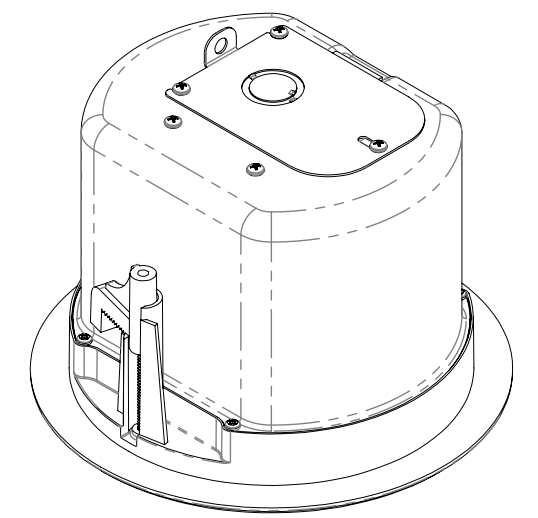
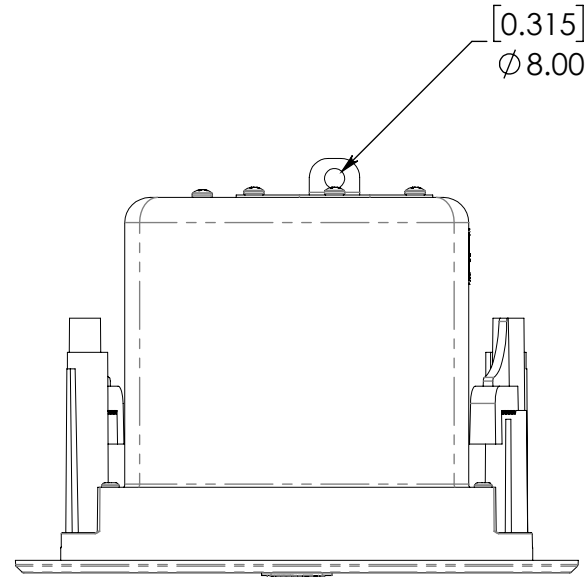
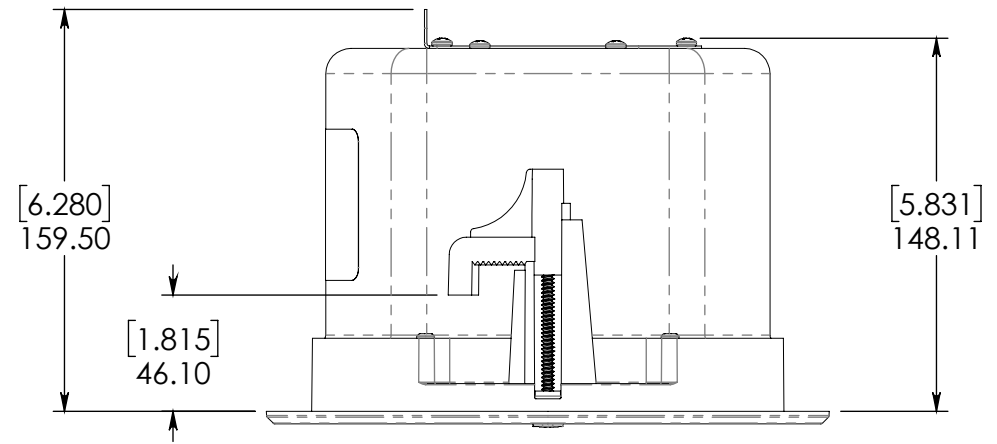
C

B

A



SEE NOTE 2



D

C

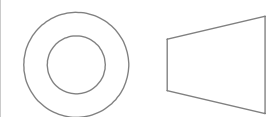
B

A

- NOTES:
- SPEAKER WEIGHT = 2.1 KG [4.6 LBS]
 - ELECTRICAL KNOCKOUTS FOR CONDUIT SIZES:
 - 1/2" NPT (21.34MM)
 - 3/4" NPT (26.67MM)
 - M20 (20MM)
 - M25 (25MM)
 - PG13.5 (20.4MM)
 - PG16 (22.5MM)

MINIMUM FIRST ARTICLE REQUIREMENT
 BIAMP APPROVED FAI REPORT, RoHS AND REACH MATERIAL CONTENT DECLARATION, BEFORE INITIAL PRODUCT SHIPMENT.

THIRD ANGLE PROJECTION



UNLESS OTHERWISE SPECIFIED: DIMENSIONS ARE IN MM [IN]		PROPRIETARY AND CONFIDENTIAL THE INFORMATION DISCLOSED HEREIN WAS ORIGINATED BY AND IS THE PROPERTY OF BIAMP SYSTEMS AND EXCEPT FOR THE RIGHTS EXPRESSLY GRANTED TO THE UNITED STATES GOVERNMENT, BIAMP SYSTEMS RESERVES ALL PATENT, PROPRIETARY, DESIGN USE, SALE, MANUFACTURING AND REPRODUCTION RIGHTS THERETO.		biamp. TITLE: CM10TB 5.5" IN-CEILING BACK-CAN LOUDSPEAKER	
THIRD ANGLE PROJECTION		COMMENTS:			
SIZE	MATERIAL	SIZE	DWG. NO.	REV	
FINISH	COLOR	B			
DO NOT SCALE DRAWING		SCALE: 1:3	VERSION: 4	SHEET 1 OF 1	

8 7 6 5 4 3 2 1