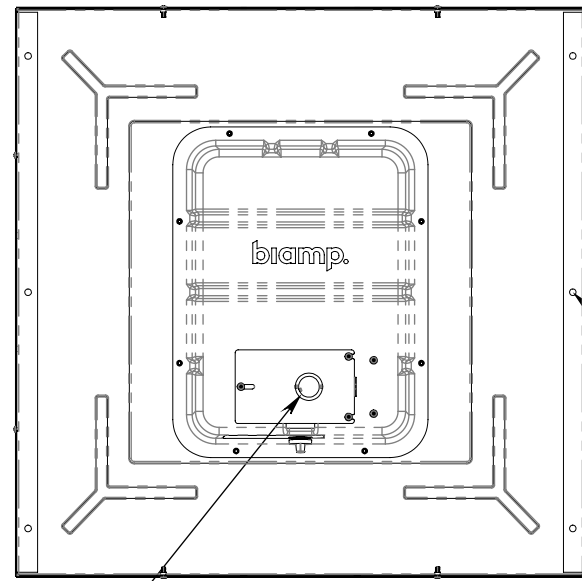


8 7 6 5 4 3 2 1

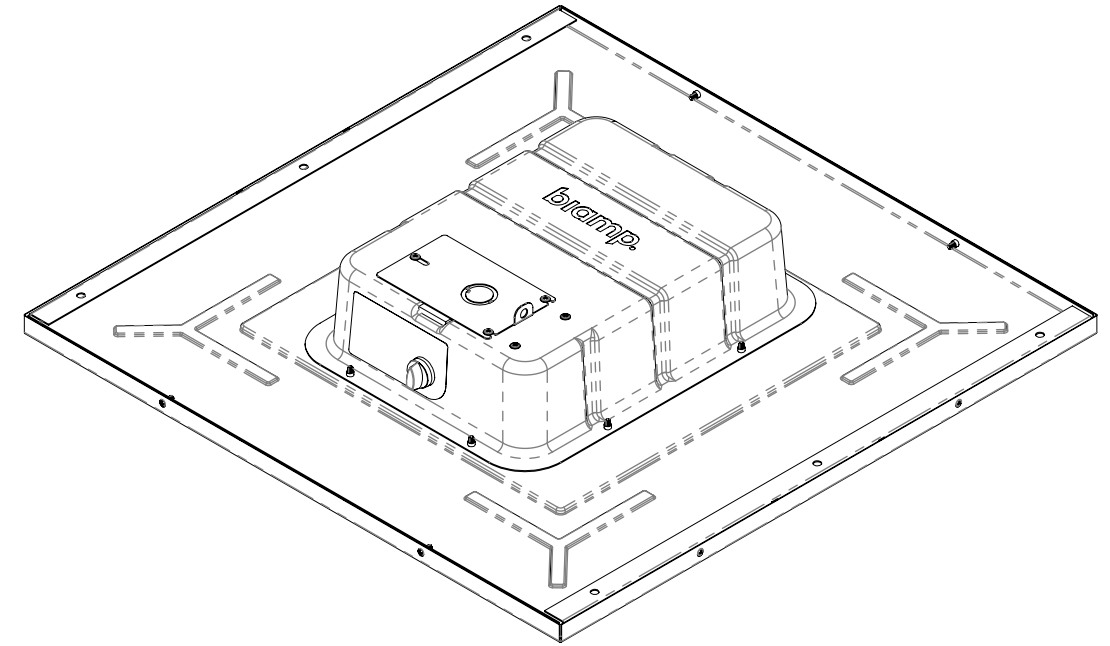
D

D

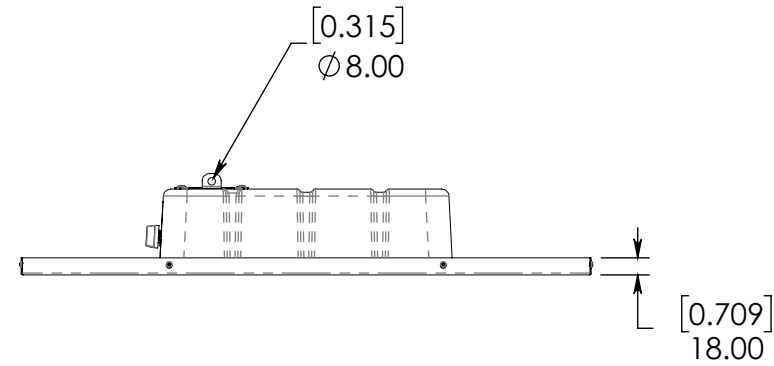
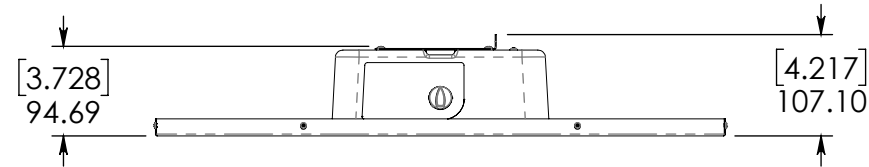


6X Ø 7.00 [0.276] THRU

SEE NOTE 2

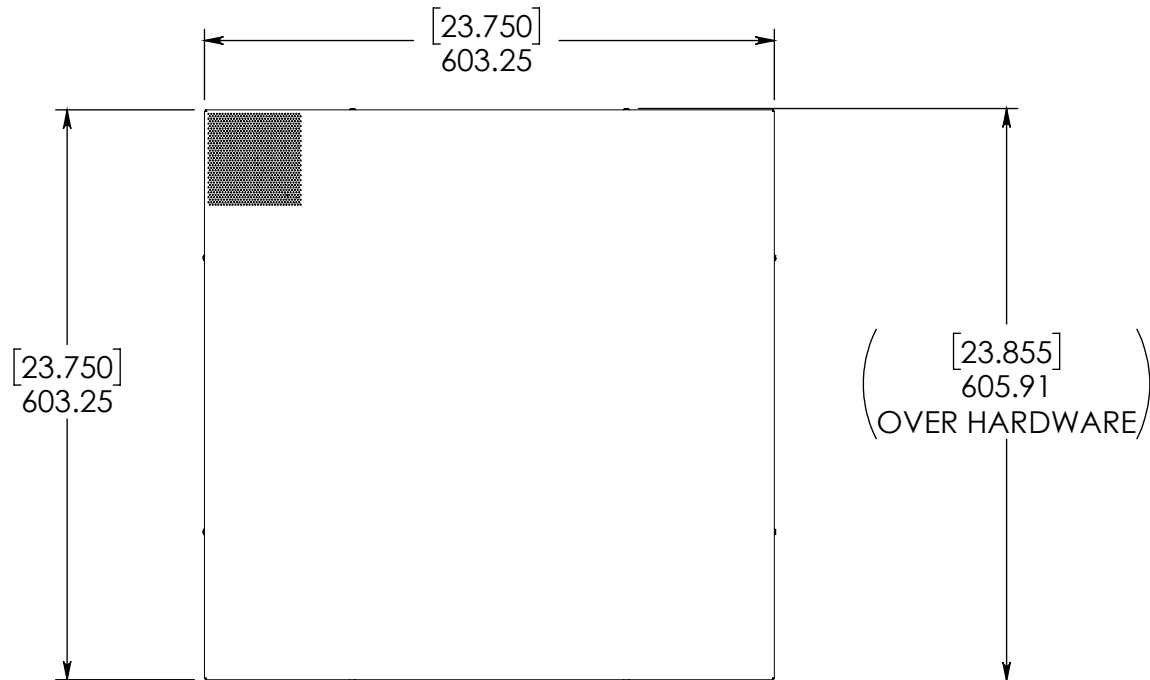


C



B

B



A

A

NOTES:

1. SPEAKER WEIGHT = 7.4 KG [16.3LBS]
2. ELECTRICAL KNOCKOUTS FOR CONDUIT SIZES:
 - 1/2" NPT (21.34MM)
 - 3/4" NPT (26.67MM)
 - M20 (20MM)
 - M25 (25MM)
 - PG13.5 (20.4MM)
 - PG16 (22.5MM)

MINIMUM FIRST ARTICLE REQUIREMENT
BIAMP APPROVED FAI REPORT, RoHS AND REACH MATERIAL CONTENT DECLARATION, BEFORE INITIAL PRODUCT SHIPMENT.

THIRD ANGLE PROJECTION



UNLESS OTHERWISE SPECIFIED: DIMENSIONS ARE IN MM [IN]		PROPRIETARY AND CONFIDENTIAL THE INFORMATION DISCLOSED HEREIN WAS ORIGINATED BY AND IS THE PROPERTY OF BIAMP SYSTEMS AND EXCEPT FOR THE RIGHTS EXPRESSLY GRANTED TO THE UNITED STATES GOVERNMENT, BIAMP SYSTEMS RESERVES ALL PATENT, PROPRIETARY, DESIGN USE, SALE, MANUFACTURING AND REPRODUCTION RIGHTS THERETO.		biamp.	
		TITLE: DC220T 2' X 2' DROP CEILING LOUDSPEAKER			
SIZE	MATERIAL	COMMENTS:	SIZE B	DWG. NO.	REV
FINISH	COLOR	DO NOT SCALE DRAWING	SCALE: 1:8	VERSION: 2	SHEET 1 OF 1

8 7 6 5 4 3 2 1