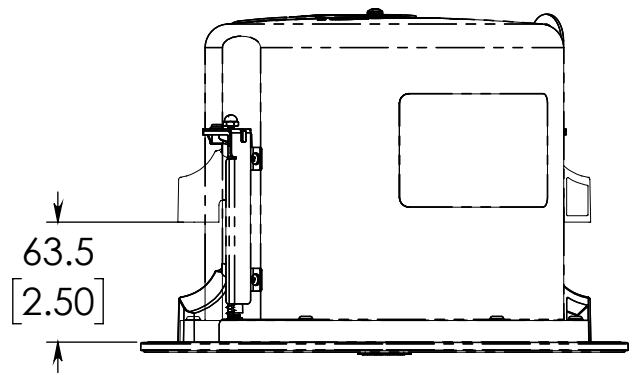
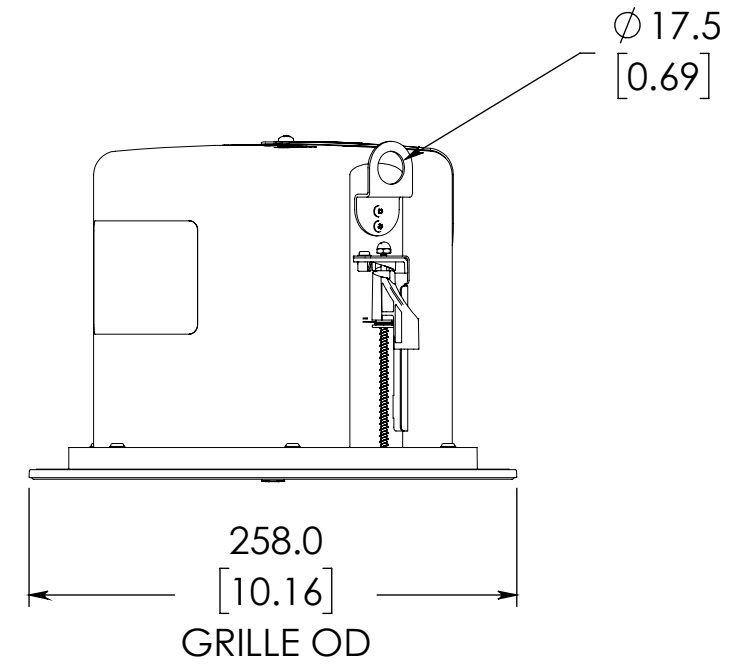
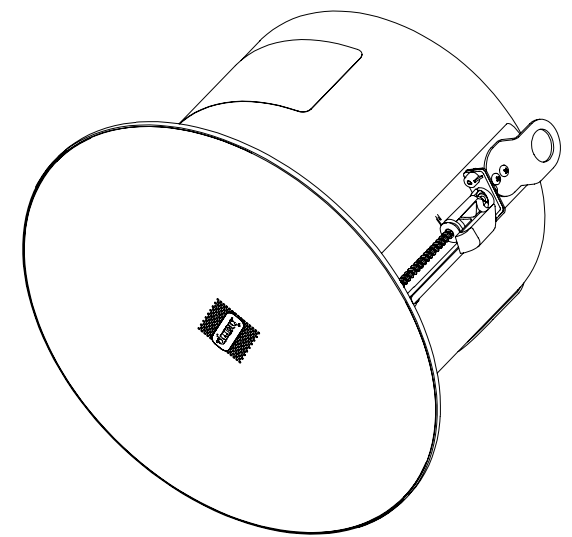


ELECTRICAL KNOCKOUT FOR 1/2" CONDUIT (2 PLACES)



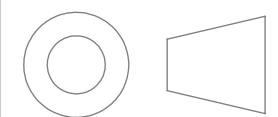
MOUNTING DOG GRIP RANGE DETAIL (DOGS SHOWN IN MAX AND MIN POSITION)



NOTES:  
1. SPEAKER WEIGHT = 3.13KG [6.9LBS]

MINIMUM FIRST ARTICLE REQUIREMENT  
BIAMP APPROVED FAI REPORT, RoHS AND REACH MATERIAL CONTENT DECLARATION, BEFORE INITIAL PRODUCT SHIPMENT.

THIRD ANGLE PROJECTION



UNLESS OTHERWISE SPECIFIED: DIMENSIONS ARE IN MM [IN]	PROPRIETARY AND CONFIDENTIAL THE INFORMATION DISCLOSED HEREIN WAS ORIGINATED BY AND IS THE PROPERTY OF BIAMP SYSTEMS AND EXCEPT FOR THE RIGHTS EXPRESSLY GRANTED TO THE UNITED STATES GOVERNMENT, BIAMP SYSTEMS RESERVES ALL PATENT, PROPRIETARY, DESIGN USE, SALE, MANUFACTURING AND REPRODUCTION RIGHTS THERETO.
SIZE	COMMENTS:
MATERIAL	
FINISH	
COLOR	DO NOT SCALE DRAWING

<b>biamp.</b>	
TITLE: <b>DX-IC4</b>	
SIZE <b>B</b>	DWG. NO.      REV
SCALE: 1:4	VERSION: 12      SHEET 1 OF 1