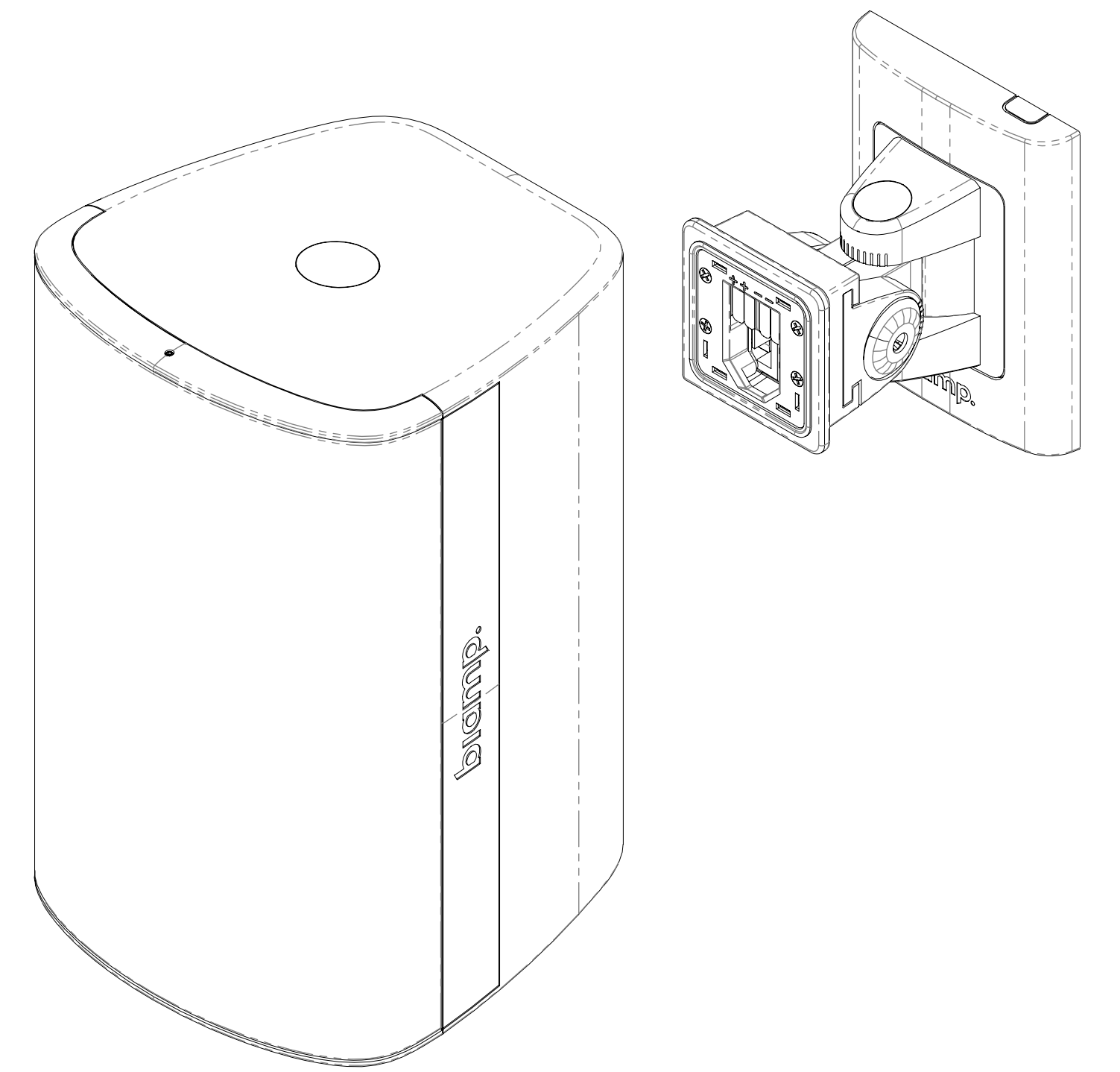
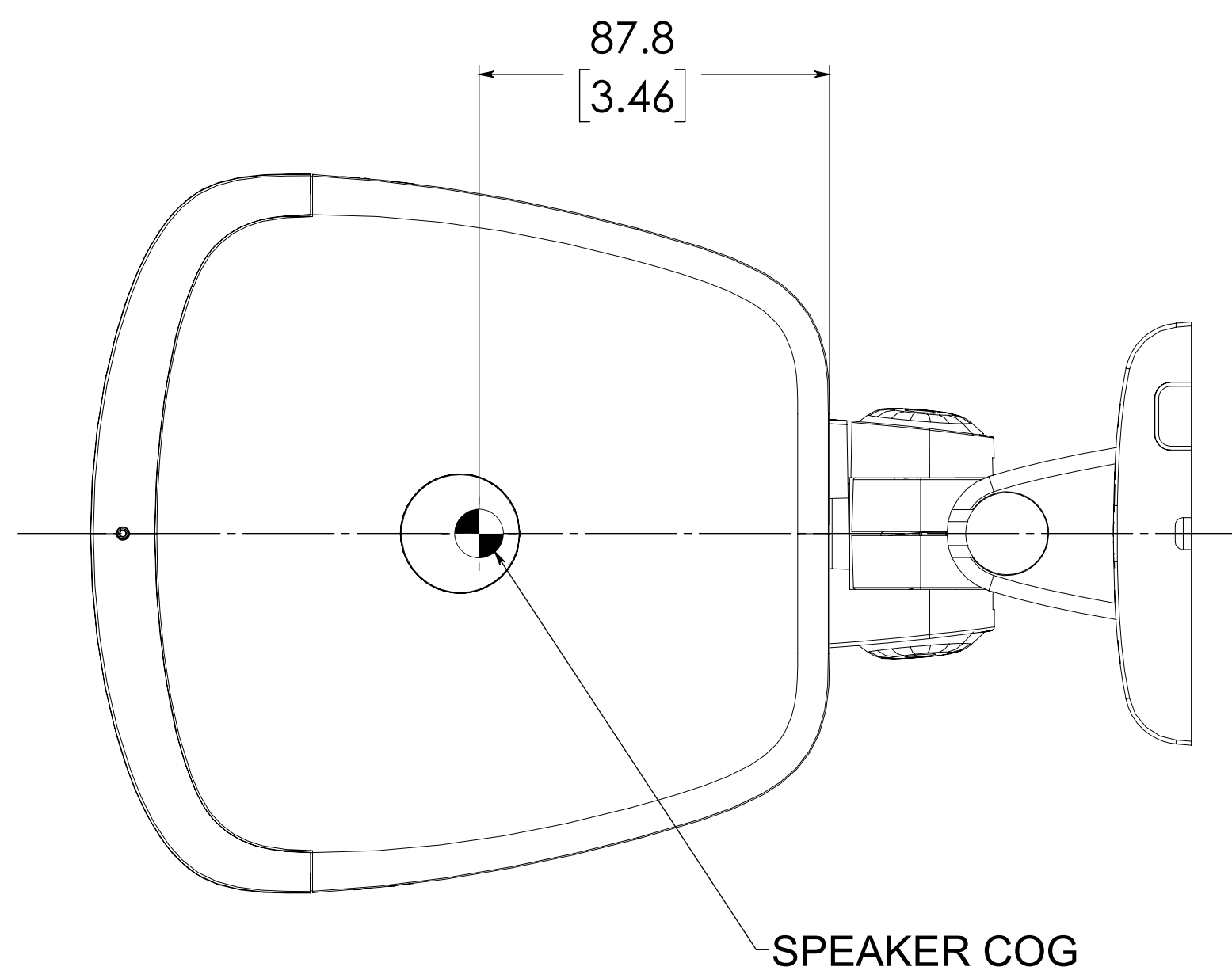


**CLICK MOUNT
MOUNTING DETAIL
SCALE 1:1**



NOTES:
1. SPEAKER WEIGHT (NOT INCLUDING CLICK MOUNT) = 4.67KG [10.3LBS]

UNLESS OTHERWISE SPECIFIED: DIMENSIONS ARE IN MM [IN]		PROPRIETARY AND CONFIDENTIAL THE INFORMATION DISCLOSED HEREIN WAS ORIGINATED BY AND IS THE PROPERTY OF BIAMP SYSTEMS AND IS NOT TO BE DISCLOSED TO ANY OTHER PARTY WITHOUT THE WRITTEN PERMISSION OF BIAMP SYSTEMS. BIAMP SYSTEMS RESERVES ALL PATENT, TRADEMARK, AND COPYRIGHT RIGHTS HEREIN.		biamp.	
MINIMUM FIRST ARTICLE REQUIREMENT BIAMP APPROVED FOR REPAIR, REPAIRS AND REPAIR MATERIALS MUST BE OBTAINED BEFORE INITIAL PRODUCT SHIPMENT.		COMMENTS:		TITLE: DX-S5	
THIRD ANGLE PROJECTION		SIZE		SIZE DWG. NO.	
MATERIAL		FINISH		REV	
COLOR		BLACK		SCALE: 1:1.5 VERSION: 3 SHEET 1 OF 1	