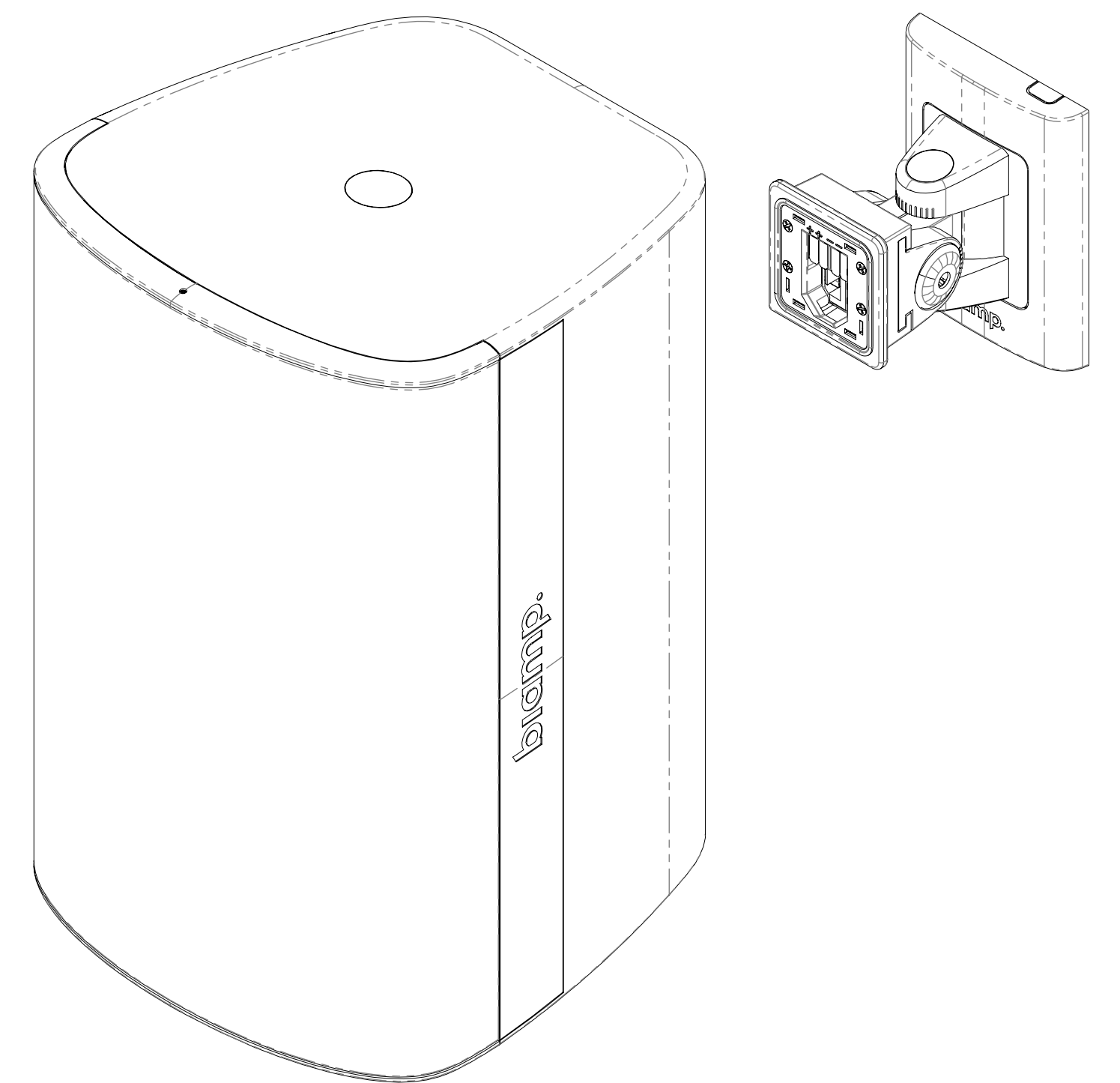
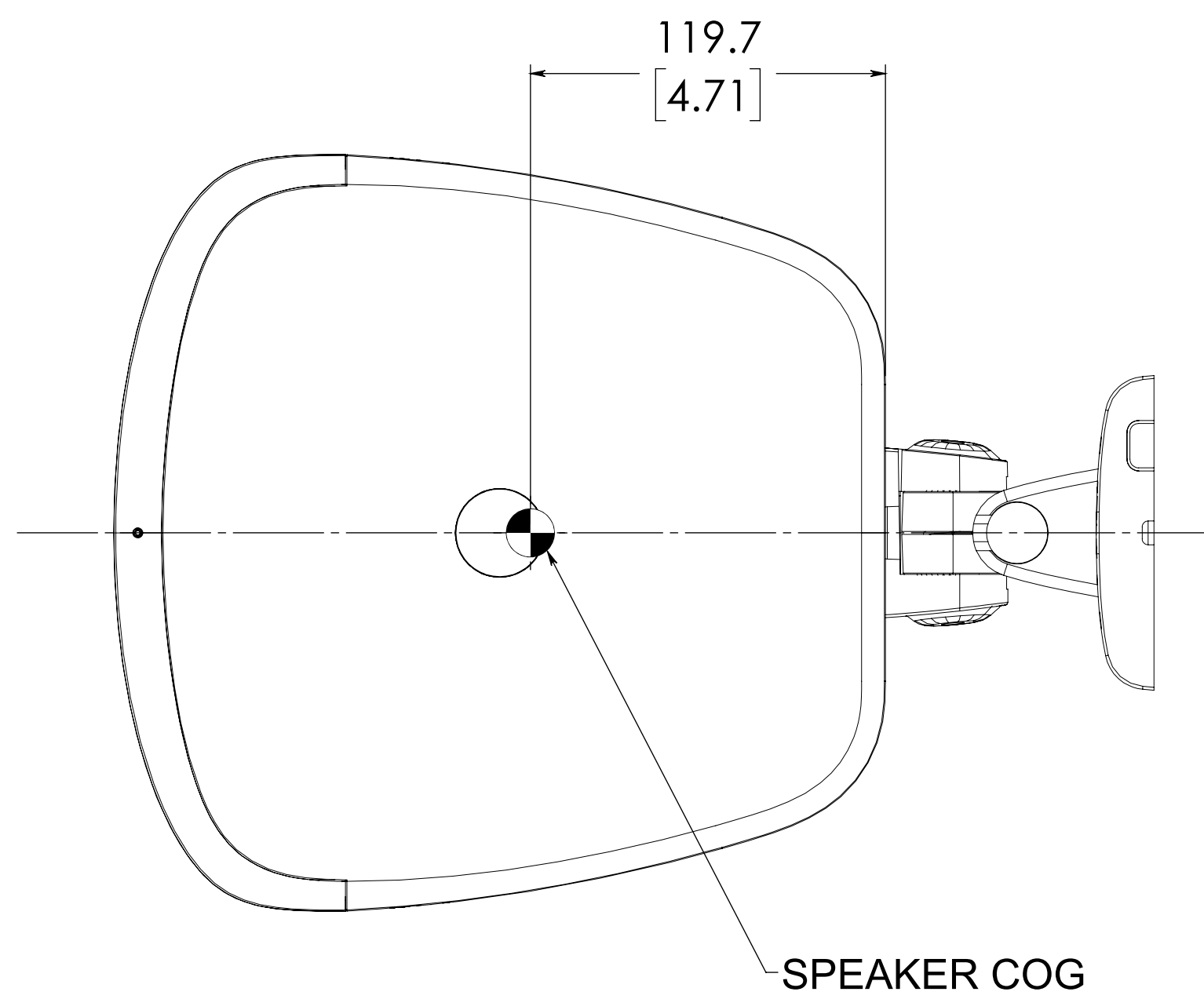


**CLICK MOUNT
MOUNTING DETAIL
SCALE 1:1**



NOTES:
1. SPEAKER WEIGHT (NOT INCLUDING CLICK-MOUNT) = 7.71KG [17LBS]

UNLESS OTHERWISE SPECIFIED: DIMENSIONS ARE IN MM [IN]		PROPRIETARY AND CONFIDENTIAL THE INFORMATION DISCLOSED HEREIN WAS ORIGINATED BY AND IS THE PROPERTY OF BIAMP SYSTEMS AND IS NOT TO BE DISCLOSED TO ANY OTHER PARTY WITHOUT THE WRITTEN PERMISSION OF BIAMP SYSTEMS. BIAMP SYSTEMS RESERVES ALL PATENT, TRADEMARK, AND COPYRIGHT RIGHTS IN THIS DOCUMENT.		biamp.	
MINIMUM FIRST ARTICLE REQUIREMENT BIAMP APPROVED FOR REPAIR, ROHS AND REACH MATERIALS COMPLIANCE BEFORE INITIAL PRODUCT SHIPMENT.		COMMENTS:		TITLE: DX-S8	
THIRD ANGLE PROJECTION	SIZE	MATERIAL		SIZE	DWG. NO.
		FINISH		D	REV
		COLOR		SCALE: 1:2	VERSION: 6
		BLACK		DO NOT SCALE DRAWING	SHEET 1 OF 1