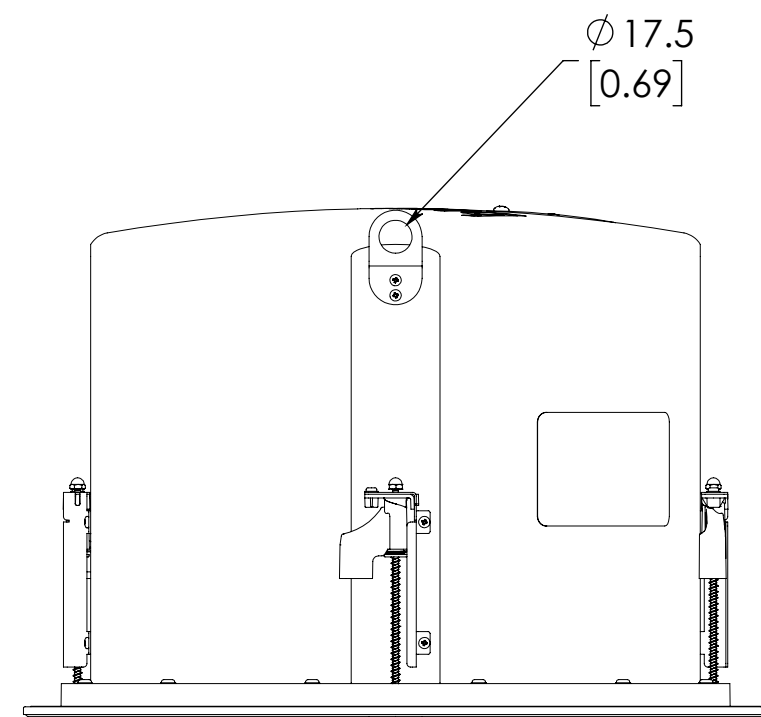
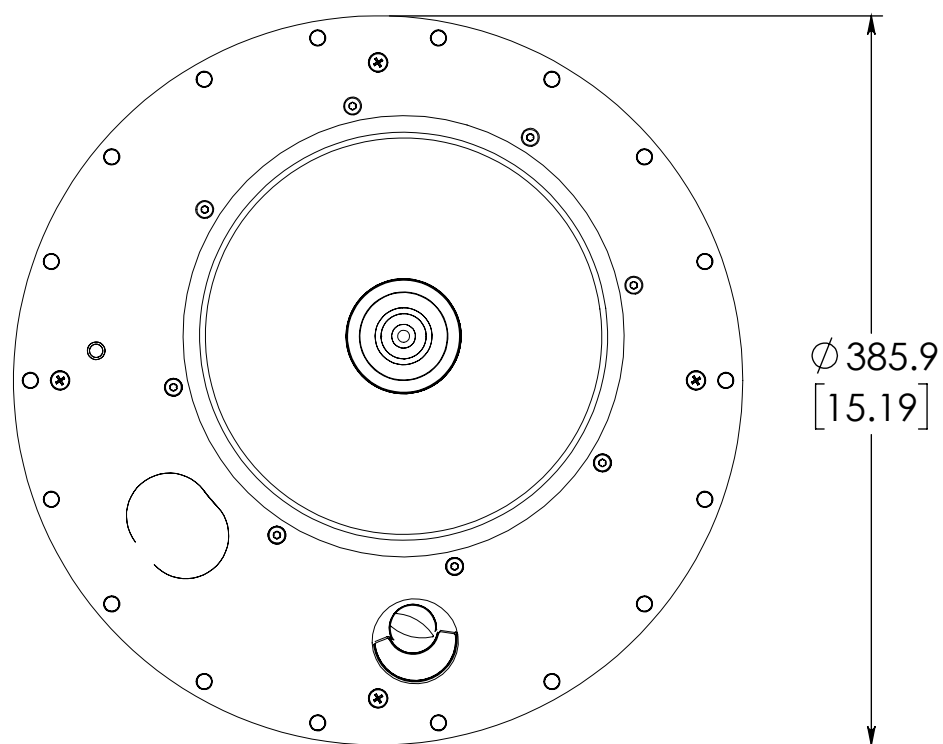


MOUNTING DOG GRIP RANGE DETAIL
(DOGS SHOWN IN MAX AND MIN POSITION)



GRILLE OD

ELECTRICAL KNOCKOUT FOR
1/2" CONDUIT (2 PLACES)



NOTES:
1. SPEAKER WEIGHT = 10.09KG [22.25 LBS]

MINIMUM FIRST ARTICLE REQUIREMENT BIAMP APPROVED FAI REPORT, RoHS AND REACH MATERIAL CONTENT DECLARATION, BEFORE INITIAL PRODUCT SHIPMENT.	UNLESS OTHERWISE SPECIFIED: DIMENSIONS ARE IN MM [IN] TOLERANCES: ANGULAR: $\pm 1^\circ$ ONE PLACE DECIMAL ± 0.5 TWO PLACE DECIMAL ± 0.25 THREE PLACE DECIMAL ± 0.100 UN-DIMENSIONED 3D DATA ± 0.15	PROPRIETARY AND CONFIDENTIAL THE INFORMATION DISCLOSED HEREIN WAS ORIGINATED BY AND IS THE PROPERTY OF BIAMP SYSTEMS AND EXCEPT FOR THE RIGHTS EXPRESSLY GRANTED TO THE UNITED STATES GOVERNMENT, BIAMP SYSTEMS RESERVES ALL PATENT, PROPRIETARY, DESIGN USE, SALE, MANUFACTURING AND REPRODUCTION RIGHTS THERETO.	biamp.	
	THIRD ANGLE PROJECTION 	COMMENTS: DO NOT SCALE DRAWING	TITLE: DX-IC10	
MATERIAL FINISH COLOR	SIZE C	DWG. NO.	REV	SCALE: 1:4 VERSION: 7 SHEET 1 OF 1