

8

7

6

5

4

3

2

1

F

F

E

E

D

D

C

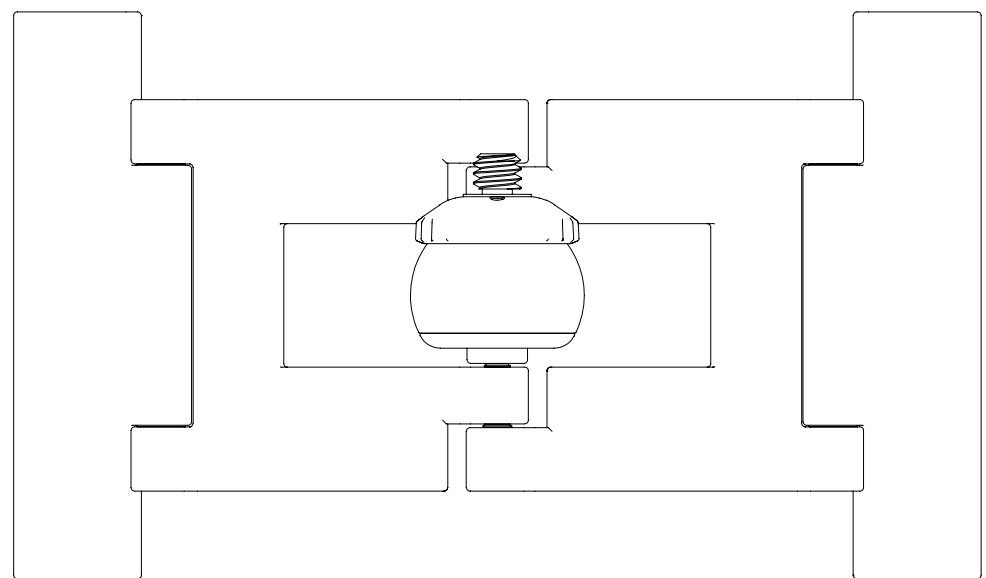
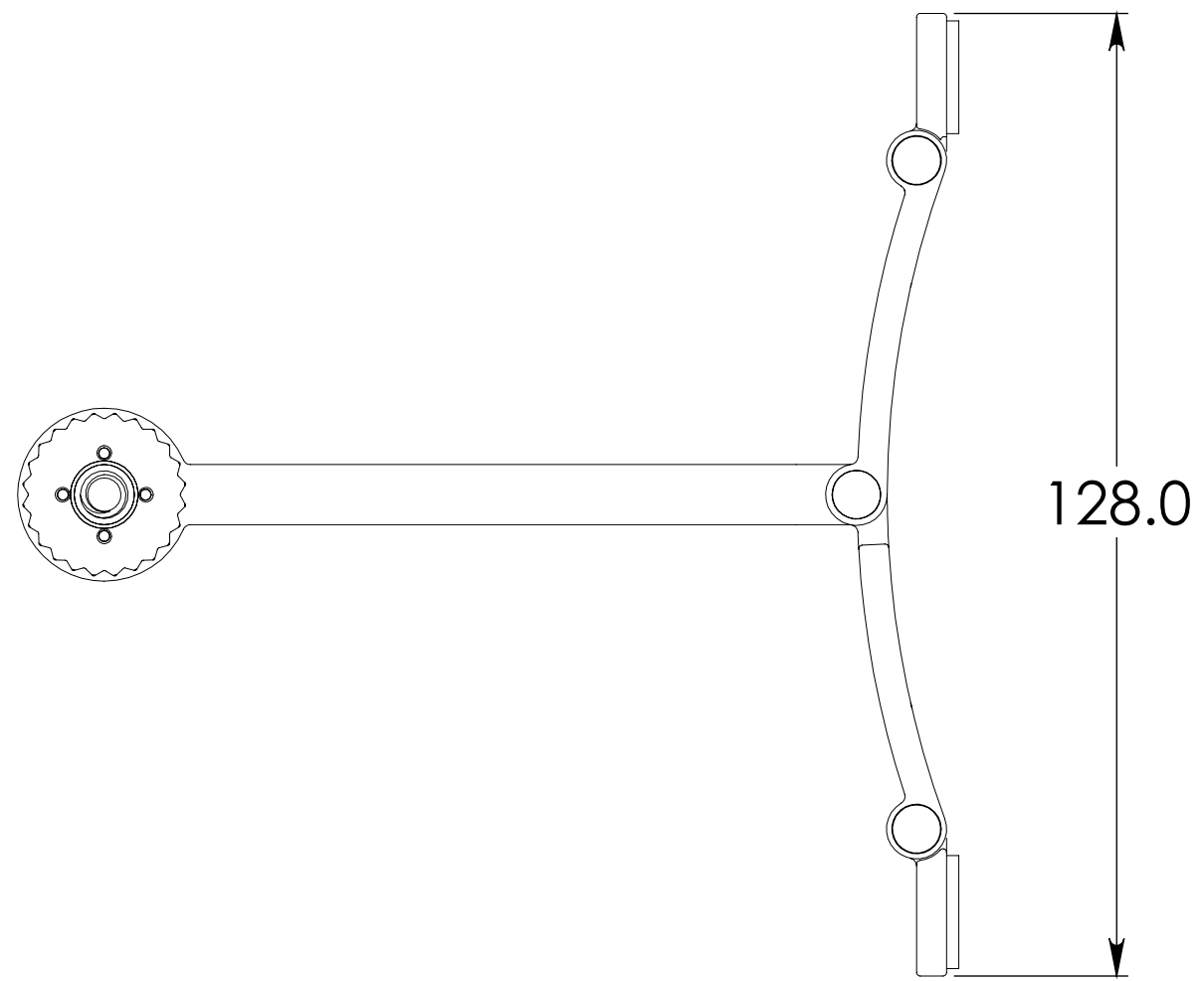
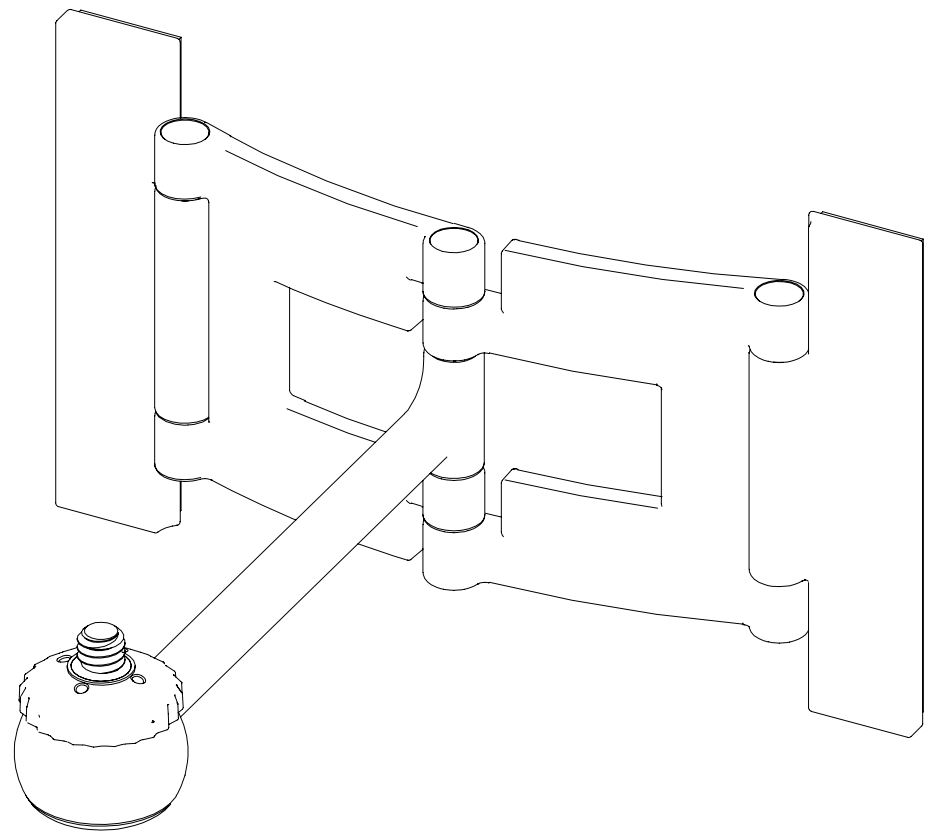
C

B

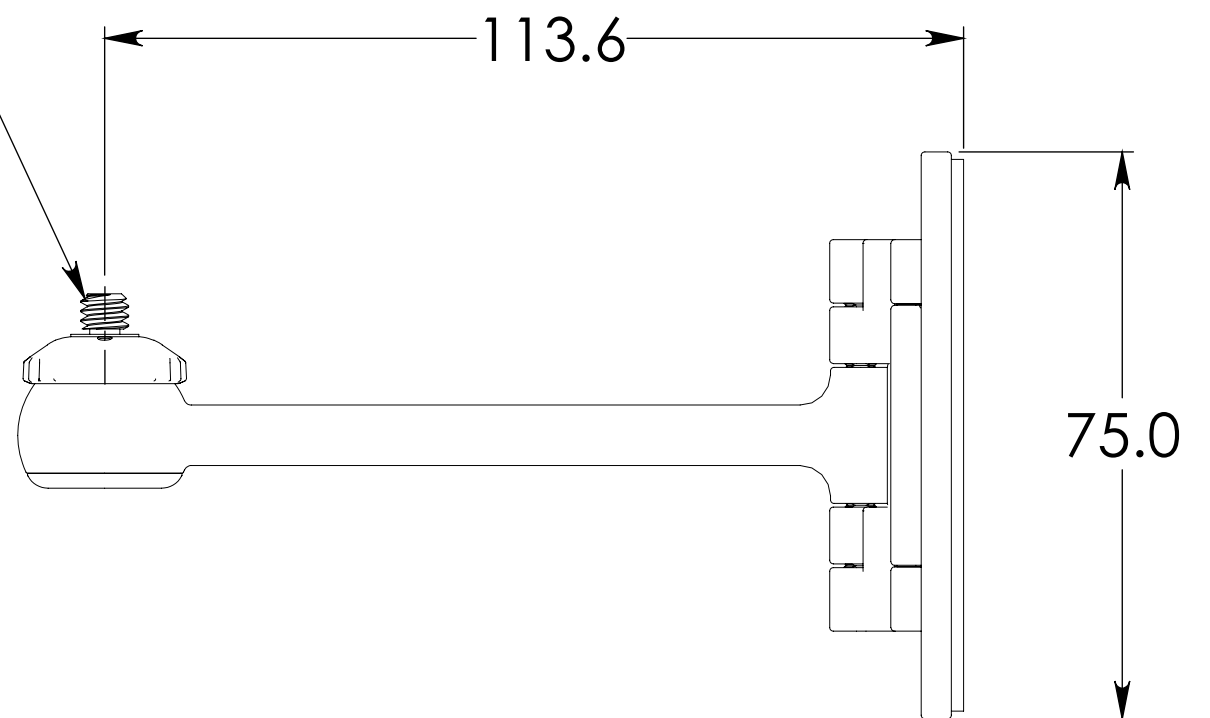
B

A

A



.25" - 20 UNC  
CAMERA MOUNT THREAD



	UNLESS OTHERWISE SPECIFIED: DIMENSIONS ARE IN MM (IN)		<b>biamp.</b>	
	THIRD ANGLE PROJECTION		TITLE: VIDI WMA 200-DM	
SIZE	MATERIAL		COMMENTS:	
FINISH	COLOR		SIZE	DWG. NO.
			SCALE: 1:1	VERSION: 4
			SHEET 1 OF 1	