

8

7

6

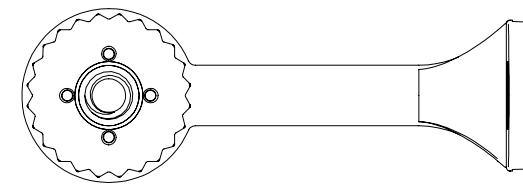
5

4

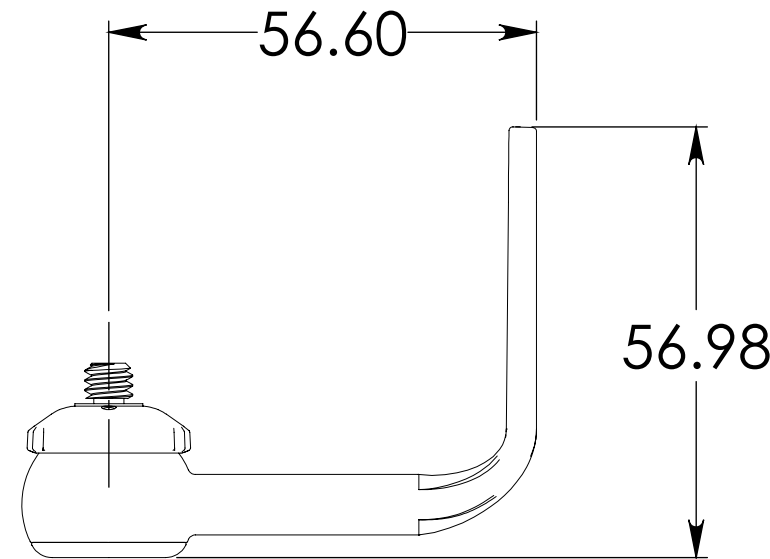
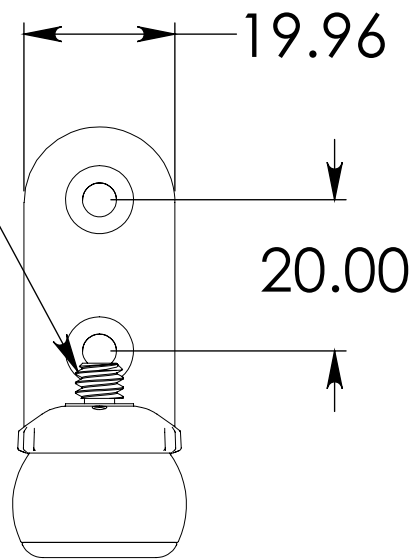
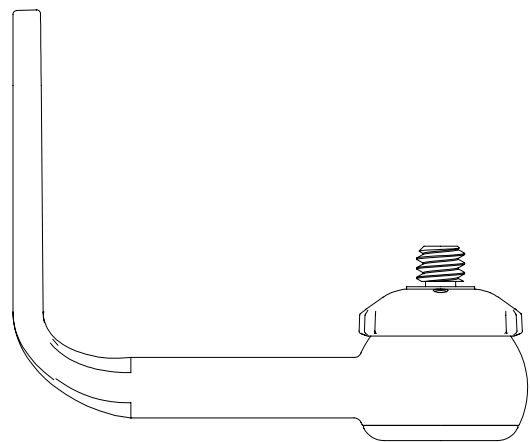
3

2

1



.25" - 20 UNC  
CAMERA MOUNT THREAD

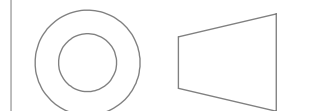


UNLESS OTHERWISE SPECIFIED:  
DIMENSIONS ARE IN INCHES [MM]

**biamp.**

TITLE:  
VIDI VMA 200-WM

THIRD ANGLE PROJECTION



SIZE  
MATERIAL  
FINISH  
COLOR

COMMENTS:

SIZE <b>B</b>	DWG. NO.	REV
------------------	----------	-----

DO NOT SCALE DRAWING SCALE: 1:1 VERSION: 5 SHEET 1 OF 1

8

7

6

5

4

3

2

1

D

D

C

C

B

B

A

A