

8

7

6

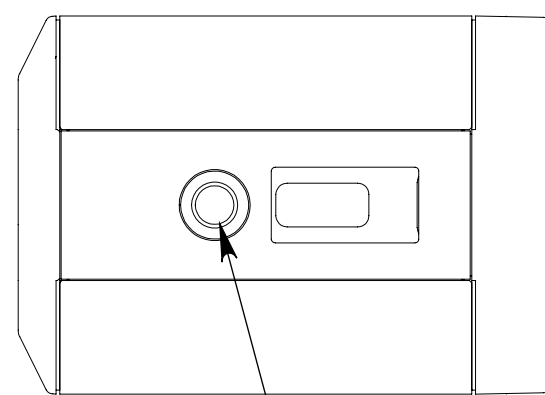
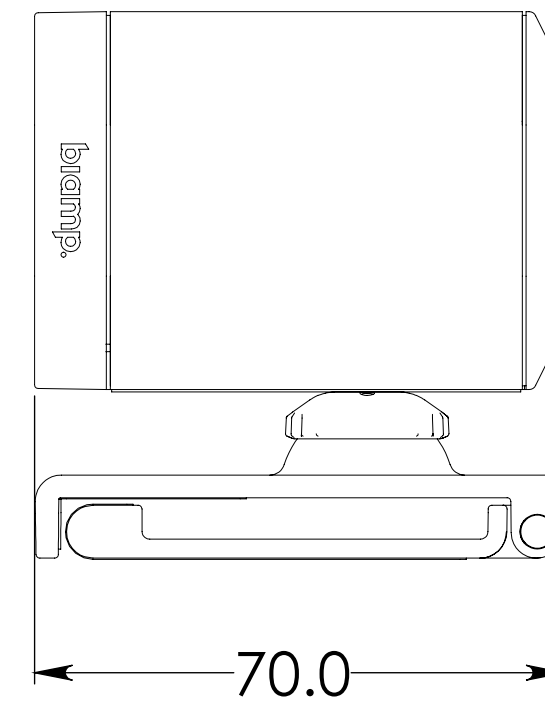
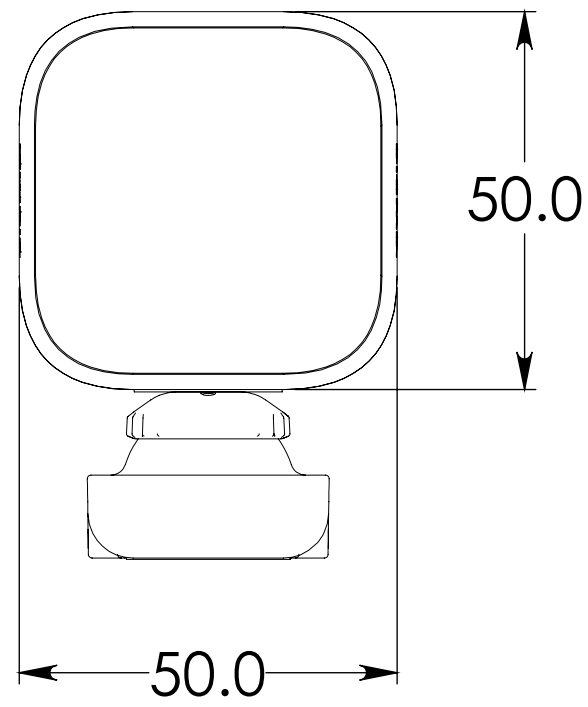
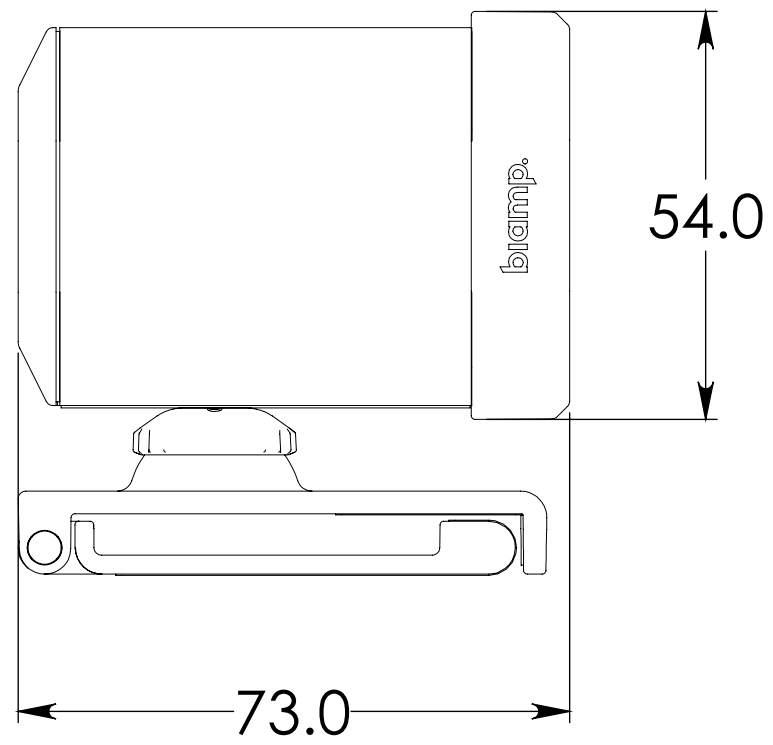
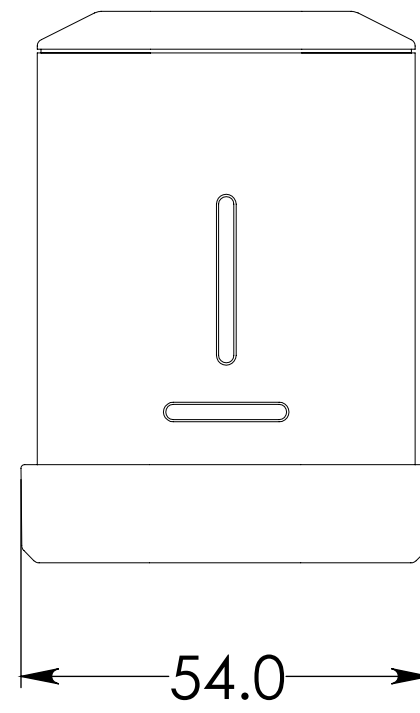
5

4

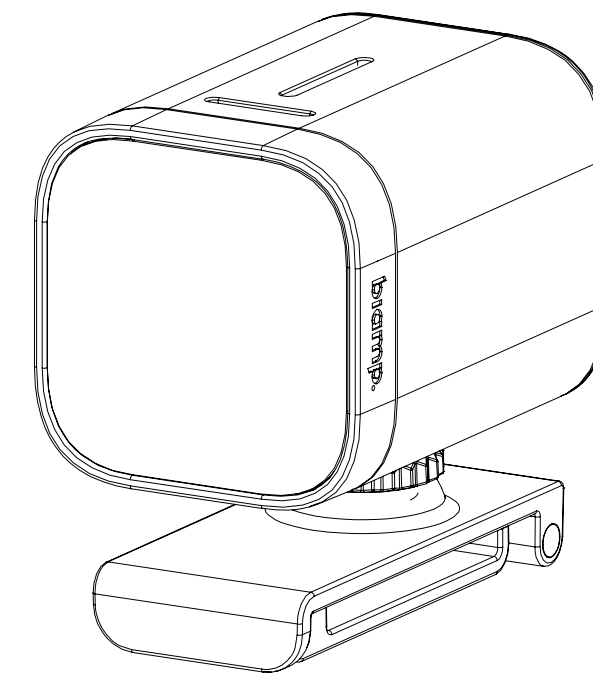
3

2

1



.25" - 20 UNC
CAMERA MOUNT THREAD



THIRD ANGLE PROJECTION	UNLESS OTHERWISE SPECIFIED: DIMENSIONS ARE IN MM (IN)	biamp.		
	SIZE	TITLE: FGI VIDI 250		
MATERIAL	COMMENTS:	SIZE	DWG. NO.	REV
FINISH		C		
COLOR				
		DO NOT SCALE DRAWING		
		SCALE: 1:1	VERSION: 4	SHEET 1 OF 1

8

7

6

5

4

3

2

1